



Relays & Contactors > Relay Accessories



Relay Socket Type: **Panel Mount**

Body Material: **Nylon**

Product Mount Type: **Chassis Mount**

Pole Configuration: **3**

Relay Accessory Type: **Socket**

Features

Product Type Features

Relay Accessory Type	Socket
----------------------	--------

Body Features

Body Material	Nylon
---------------	-------

Contact Features

Contact Material	Spring Brass
Contact Plating Material	Tin
Terminal Style	4.75 [.187] Quick Connect
Relay Socket Type	Panel Mount
Pole Configuration	3

Termination Features

Number of Pins	11
Termination Post & Tail Length	4.57 mm [.18 in]

Mechanical Attachment

Product Mounting Feature Type	Tab
-------------------------------	-----

Product Mount Type

Chassis Mount

Product Compliance

[For compliance documentation, visit the product page on TE.com>](#)

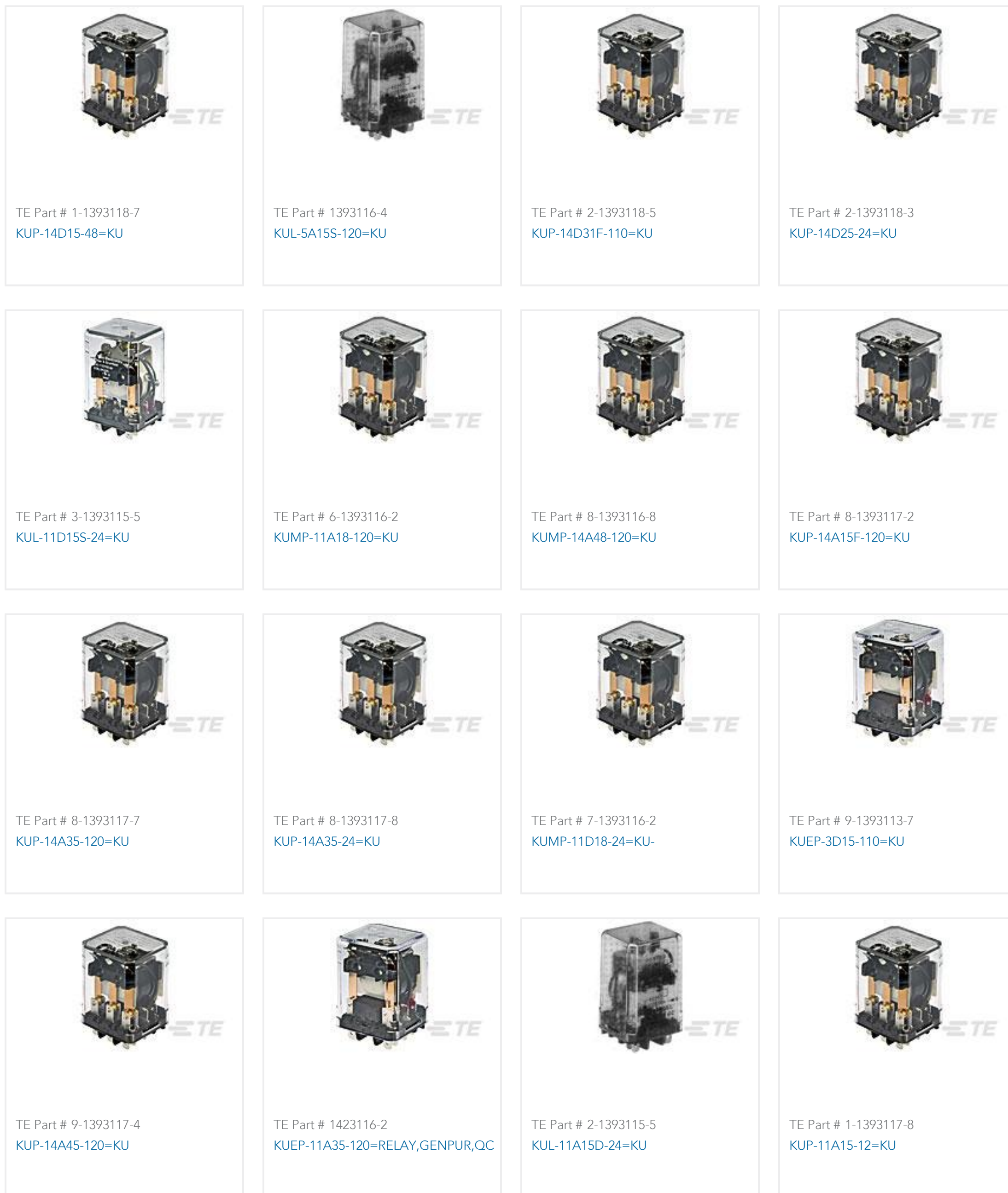
EU RoHS Directive 2011/65/EU	Compliant
EU ELV Directive 2000/53/EC	Compliant
China RoHS 2 Directive MIIT Order No 32, 2016	No Restricted Materials Above Threshold
EU REACH Regulation (EC) No. 1907/2006	Current ECHA Candidate List: JAN 2025 (247) Candidate List Declared Against: JAN 2022 (223) Does not contain REACH SVHC
Halogen Content	Low Halogen - Br, Cl, F, I < 900 ppm per homogenous material. Also BFR/CFR/PVC Free
Solder Process Capability	Not applicable for solder process capability

Product Compliance Disclaimer

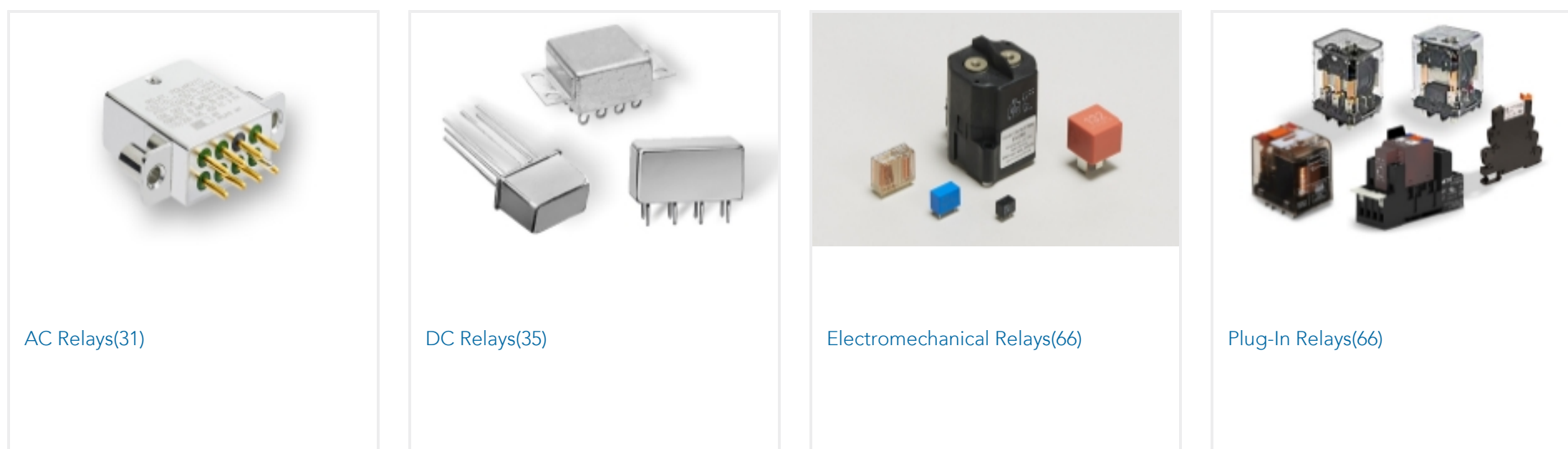
This information is provided based on reasonable inquiry of our suppliers and represents our current actual knowledge based on the information they provided. This information is subject to change. The part numbers that TE has identified as EU RoHS compliant have a maximum concentration of 0.1% by weight in homogenous materials for lead, hexavalent chromium, mercury, PBB, PBDE, DBP, BBP, DEHP, DIBP, and 0.01% for cadmium, or qualify for an exemption to these limits as defined in the Annexes of Directive 2011/65/EU (RoHS2). Finished electrical and electronic equipment products will be CE marked as required by Directive 2011/65/EU. Components may not be CE marked. Additionally, the part numbers that TE has identified as EU ELV compliant have a maximum concentration of 0.1% by weight in homogenous materials for lead, hexavalent chromium, and mercury, and 0.01% for cadmium, or qualify for an exemption to these limits as defined in the Annexes of Directive 2000/53/EC (ELV). Regarding the REACH Regulation, the information TE provides on SVHC in articles for this part number is based on the latest European Chemicals Agency (ECHA) 'Guidance on requirements for substances in articles' posted at this URL: <https://echa.europa.eu/guidance-documents/guidance-on-reach>

Compatible Parts





Also in the Series | **Potter & Brumfield KUP**





Relay Accessories(10)

Customers Also Bought



TE Part #CW5506-000
SHF260-0113-8-9



TE Part #52266
TERMINAL R PG 4 5/16



TE Part #2-1393117-1
KUP-11A15-24=KU



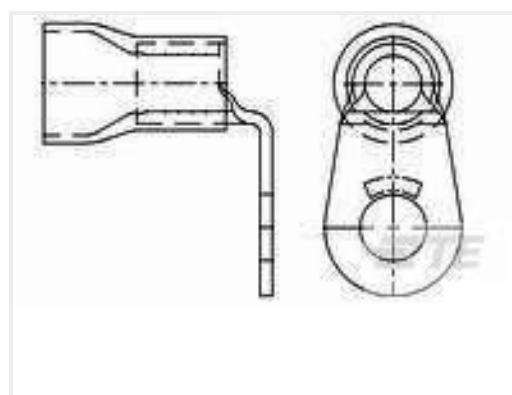
TE Part #282301-002
44A0211-8-9



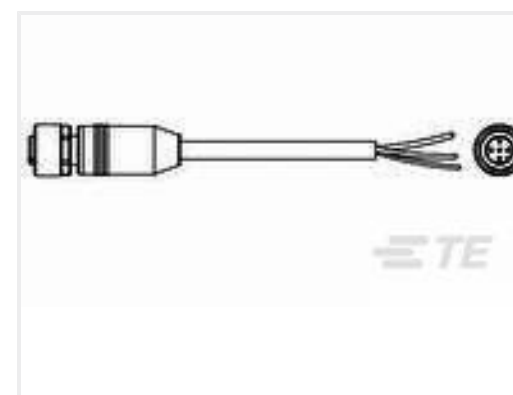
TE Part #1393143-1
27E043=SOCKET,KU,11,SLG,NYL,N



TE Part #1609136-2
GA310 DA PLUG ASSY=F6824



TE Part #1958413-1
TERMINAL R PG 4 AWG, 5/16, BENT 90



TE Part #2273045-1
M12 x 1.0 straight socket pigt shld A 90



TE Part #184164-1
2 POS. CAP HSG., KEY B



TE Part #184175-1
2 POS. CAP LP

Documents

[CAD Files](#)

[3D PDF](#)

[3D](#)

[Customer View Model](#)

[ENG_CVM_CVM_3-1393143-8_A.2d_dxf.zip](#)

[English](#)

[Customer View Model](#)

[ENG_CVM_CVM_3-1393143-8_A.3d_igs.zip](#)



English

Customer View Model

[ENG_CVM_CVM_3-1393143-8_A.3d_stp.zip](#)

English

By downloading the CAD file I accept and agree to the [Terms and Conditions](#) of use.

Datasheets & Catalog Pages

[KU Sockets & Accessories](#)

English

Product Specifications

[Definitions General Purpose Relays](#)

English

Agency Approvals

[UL](#)

English