



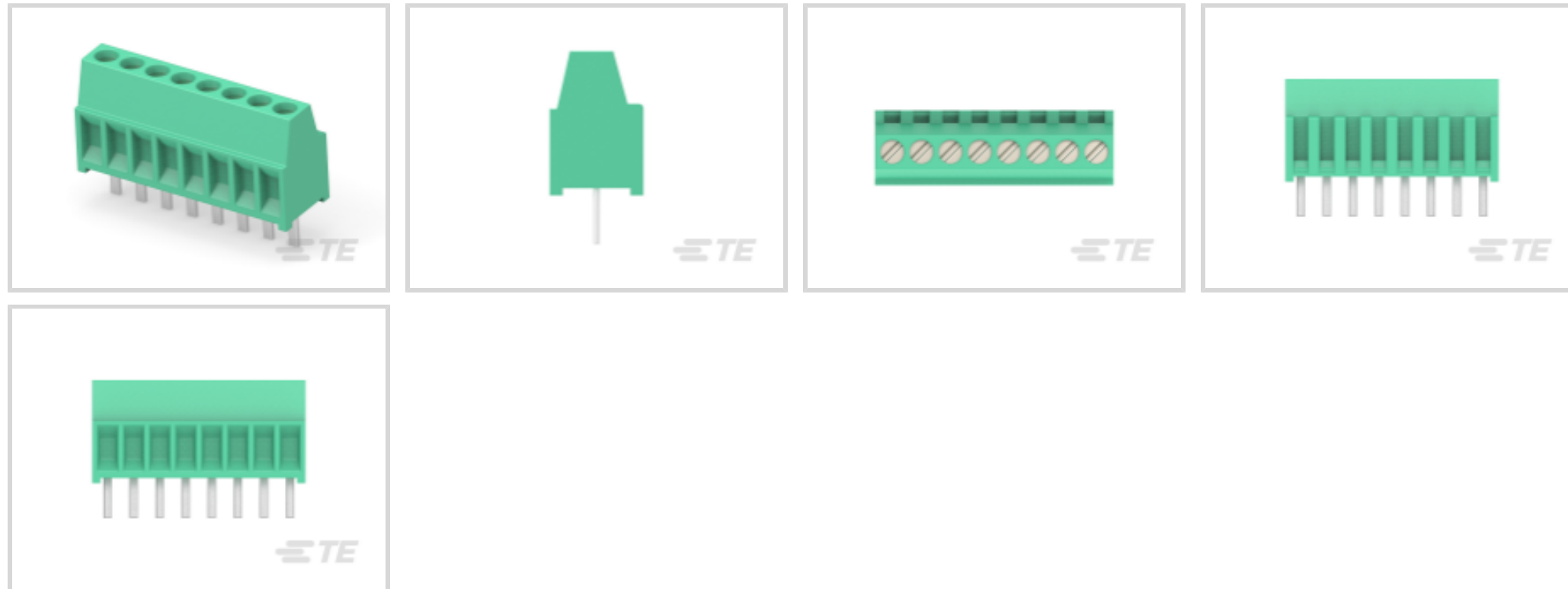
**Buchanan**

TE Internal #: 282834-8

8 Position PCB Terminal Block, Header, Wire-to-Board, 2.54 mm [.1 in] Centerline, 1 Row, 90° Wire Entry Angle, 30 – 16 AWG, .05 – 1.3 mm<sup>2</sup> Wire

[View on TE.com >](#)

Connectors > Terminal Blocks & Strips > PCB Terminal Blocks



Number of Positions: **8**

Terminal Block Connector Type: **Header**

Connector System: **Wire-to-Board**

Centerline (Pitch): **2.54 mm [.1 in]**

Number of Rows: **1**

**Features**

**Product Type Features**

Wire Protection	With
Terminal Block Connector Type	Header
Connector System	Wire-to-Board
Connector & Contact Terminates To	Printed Circuit Board

**Configuration Features**

Stacking Configuration	Side Stackable
Stacked Levels	Without
Number of Positions	8
Number of Rows	1
Wire Entry Angle	90°
Wire Entry Location	Side

**Electrical Characteristics**

Operating Voltage	150 VAC
-------------------	---------

**Body Features**



Primary Product Color	Green
Product Orientation	Vertical

### Contact Features

Contact Mating Area Plating Material	Tin (Sn)
Contact Base Material	Brass
Contact Current Rating (Max)	10 A

### Termination Features

Termination Post & Tail Length	3.4 mm[.133 in]
Termination Method to PCB	Through Hole - Solder

### Mechanical Attachment

Screw Plating Material	Nickel
Screw Material	Brass
Thread Size	M1.6
Connector Mounting Type	Board Mount

### Housing Features

Housing Material	PA 66
Centerline (Pitch)	2.54 mm[.1 in]

### Dimensions

Wire Size	30 – 16 AWG
-----------	-------------

### Usage Conditions

Operating Temperature Range	-40 – 110 °C[-40 – 230 °F]
-----------------------------	----------------------------

### Operation/Application

Circuit Application	Power & Signal
---------------------	----------------

### Packaging Features

Packaging Method	Carton
Packaging Quantity	100

### Product Compliance

[For compliance documentation, visit the product page on TE.com>](#)

EU RoHS Directive 2011/65/EU	Compliant with Exemptions
EU ELV Directive 2000/53/EC	Out of Scope



China RoHS 2 Directive MIIT Order No 32, 2016 Restricted Materials Above Threshold

EU REACH Regulation (EC) No. 1907/2006 Current ECHA Candidate List: JAN 2025 (247)  
Candidate List Declared Against: JAN 2025 (247)  
SVHC > Threshold:  
Pb (3% in M-15910-6)  
**Article Safe Usage Statements:**  
 Do not eat, drink or smoke when using this product. Wash thoroughly after handling. Recycle if possible and dispose of the article by following all applicable governmental regulations relevant to your geographic location.

Halogen Content Low Halogen - Br, Cl, F, I < 900 ppm per homogenous material. Also BFR/CFR/PVC Free

Solder Process Capability Wave solder capable to 265°C


**Product Compliance Disclaimer**

This information is provided based on reasonable inquiry of our suppliers and represents our current actual knowledge based on the information they provided. This information is subject to change. The part numbers that TE has identified as EU RoHS compliant have a maximum concentration of 0.1% by weight in homogenous materials for lead, hexavalent chromium, mercury, PBB, PBDE, DBP, BBP, DEHP, DIBP, and 0.01% for cadmium, or qualify for an exemption to these limits as defined in the Annexes of Directive 2011/65/EU (RoHS2). Finished electrical and electronic equipment products will be CE marked as required by Directive 2011/65/EU. Components may not be CE marked. Additionally, the part numbers that TE has identified as EU ELV compliant have a maximum concentration of 0.1% by weight in homogenous materials for lead, hexavalent chromium, and mercury, and 0.01% for cadmium, or qualify for an exemption to these limits as defined in the Annexes of Directive 2000/53/EC (ELV). Regarding the REACH Regulation, the information TE provides on SVHC in articles for this part number is based on the latest European Chemicals Agency (ECHA) 'Guidance on requirements for substances in articles' posted at this URL: <https://echa.europa.eu/guidance-documents/guidance-on-reach>


### Customers Also Bought




TE Part #4-2176215-6  
CPF A 0402 82K 0.1% 25PPM 1K RL



TE Part #1-282834-0  
TERMI-BLOK PCB MOUNT, 90 10P.



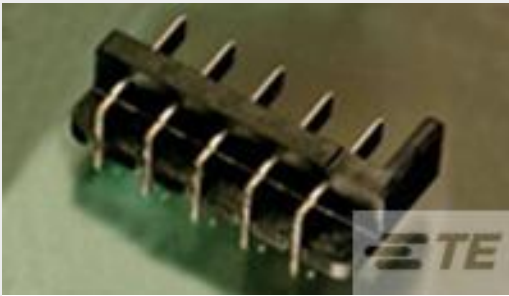
TE Part #1-282834-2  
TERMI-BLOK PCB MOUNT, 90 12P.



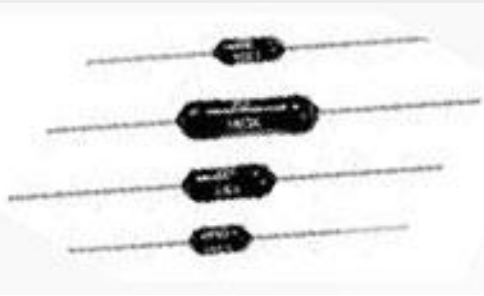
TE Part #282834-5  
TERMI-BLOK PCB MOUNT, 90 5P.



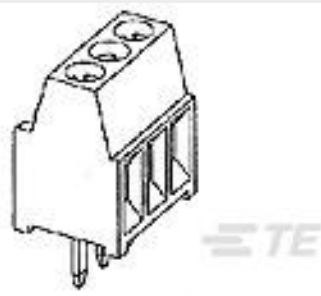
TE Part #2311771-1  
AMPL REC, HD22, R/A, 62P, THREADED



TE Part #5787443-1  
HDR ASY,RA,NO KEY,RET TAIL



TE Part #7-1879663-1  
H8 576R 0.1% 15PPM



TE Part #282834-2  
TERMI-BLOK PCB MOUNT, 90 2P.



## Documents

### Product Drawings

[TERMI-BLOK PCB MOUNT, 90 8P.](#)

English

### CAD Files

[3D PDF](#)

3D

[Customer View Model](#)

[ENG\\_CVM\\_CVM\\_282834-8\\_C.2d\\_dxf.zip](#)

English

[Customer View Model](#)

[ENG\\_CVM\\_CVM\\_282834-8\\_C.3d\\_igs.zip](#)

English

[Customer View Model](#)

[ENG\\_CVM\\_CVM\\_282834-8\\_C.3d\\_stp.zip](#)

English

By downloading the CAD file I accept and agree to the [Terms and Conditions](#) of use.

### Datasheets & Catalog Pages

[Eurostyle Terminal Blocks Focus Product Stock List](#)

English

[BUCHANAN TERMINAL BLOCKS CATALOG - EUROSTYLE TERMINAL BLOCKS](#)

English

[1-1773458-1\\_EURO\\_STYLE\\_TERMINAL\\_BLOCKS\\_ORG](#)

English

### Product Specifications

[Application Specification](#)

English

### Agency Approvals

[UL](#)

English