

282465-1 ✓ ACTIVE

AMP | AMP Superseal 1.5mm Series

TE Internal #: 282465-1

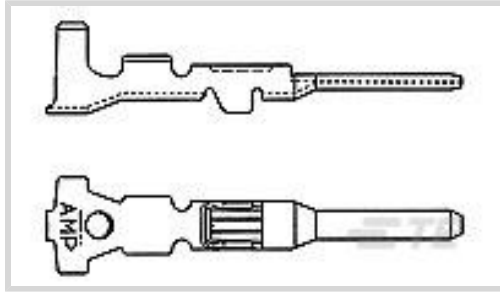
Tab Terminal, 15 – 13 AWG, 1.5 – 2.5 mm² Wire, 1.5 mm [.059 in]

Tab Width, Tin (Sn), Sealable, AMP Superseal 1.5mm Series

[View on TE.com >](#)



Terminals & Splices > Automotive Terminals > AMP SUPERSEAL 1.5MM, RECEPTACLE AND TAB



Terminal Type: **Tab**

Wire Size: **15 – 13 AWG**

Mating Tab Width: **1.5 mm [.059 in]**

Interface Plating: **Tin (Sn)**

[All AMP SUPERSEAL 1.5MM, RECEPTACLE AND TAB \(15\)](#)

Features

Product Type Features

Primary Locking Feature Clean Body

Sealable Yes

Body Features

Terminal Seal Type Single Wire Seal (SWS)

Contact Features

Typical Current Rating 14 A

Crimp Type F-Crimp

Contact Size 1.5mm

Contact Fabrication Stamped & Formed

Wire Contact Termination Area Plating Material Tin

Terminal Type Tab

Mating Tab Width 1.5 mm [.059 in]

Interface Plating Tin (Sn)

Mating Tab Thickness .8 mm [.031 in]

Termination Features

Termination Method to Wire & Cable Crimp

Product Terminates To Wire

Dimensions



Compatible Insulation Diameter Range	2.2 – 2.4 mm
Wire Size	15 – 13 AWG
Wire Size Search	1.5 mm ² , 2 mm ² , 2.5 mm ²
Tab Length	22.7 mm [.893 in]

Usage Conditions

Insulation Option	Uninsulated
Operating Temperature (Max)	125 °C [257 °F]
Operating Temperature Range	-40 – 125 °C [-40 – 257 °F]

Operation/Application

Compatible With Wire Base Material	Copper
------------------------------------	--------

Packaging Features

Packaging Method	Reel
Packaging Quantity	4000

Other

Terminal Transmits	0 – 24 A (Low Power)
--------------------	----------------------

Product Compliance

[For compliance documentation, visit the product page on TE.com>](#)

EU RoHS Directive 2011/65/EU	Compliant
EU ELV Directive 2000/53/EC	Compliant
China RoHS 2 Directive MIIT Order No 32, 2016	No Restricted Materials Above Threshold
EU REACH Regulation (EC) No. 1907/2006	Current ECHA Candidate List: JAN 2025 (247) Candidate List Declared Against: JAN 2025 (247) Does not contain REACH SVHC
Halogen Content	Low Halogen - Br, Cl, F, I < 900 ppm per homogenous material. Also BFR/CFR/PVC Free
Solder Process Capability	Not applicable for solder process capability

Product Compliance Disclaimer

This information is provided based on reasonable inquiry of our suppliers and represents our current actual knowledge based on the information they provided. This information is subject to change. The part numbers that TE has identified as EU RoHS compliant have a maximum concentration of 0.1% by weight in homogenous materials for lead, hexavalent chromium, mercury, PBB, PBDE, DBP, BBP, DEHP, DIBP, and 0.01% for cadmium, or qualify for an exemption to these limits as defined in the Annexes of Directive 2011/65/EU (RoHS2). Finished electrical and electronic equipment products will be CE marked as required by Directive 2011/65/EU. Components may not be CE marked. Additionally, the part

numbers that TE has identified as EU ELV compliant have a maximum concentration of 0.1% by weight in homogenous materials for lead, hexavalent chromium, and mercury, and 0.01% for cadmium, or qualify for an exemption to these limits as defined in the Annexes of Directive 2000/53/EC (ELV). Regarding the REACH Regulation, the information TE provides on SVHC in articles for this part number is based on the latest European Chemicals Agency (ECHA) 'Guidance on requirements for substances in articles' posted at this URL: <https://echa.europa.eu/guidance-documents/guidance-on-reach>

Compatible Parts



TE Part # 282403-1
MINI MIC SRS REC CONT



TE Part # 9-1579007-1
EXTRACTION TOOL



TE Part # CAT-AM71-CH8172
AMP SUPERSEAL 1.5MM,
CONNECTOR HOUSING



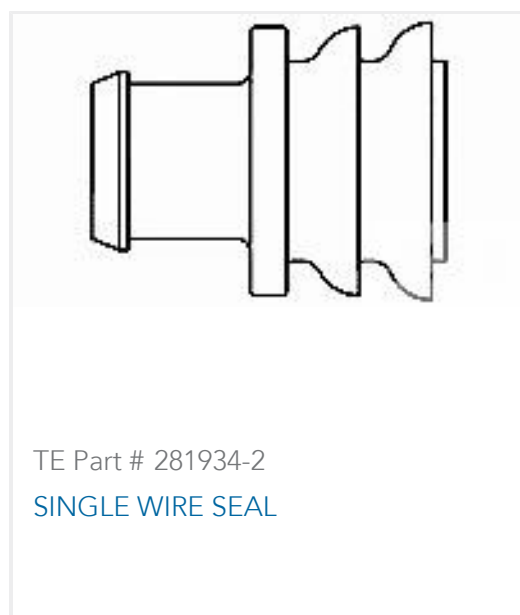
TE Part # 5-2266253-2
OCEAN_2.0_Applicator-S-090F165O-
RSA



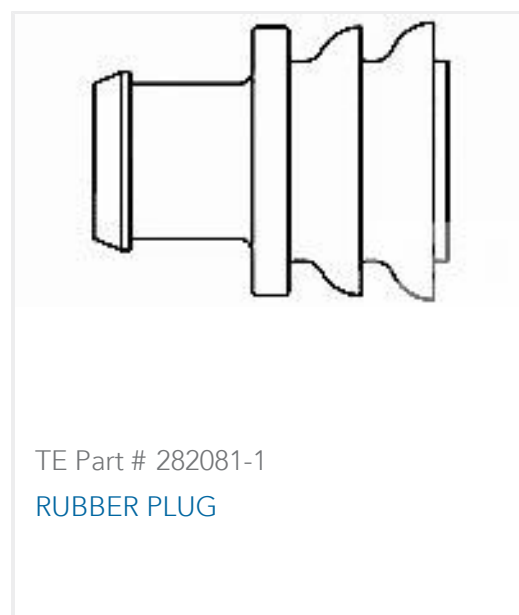
TE Part # 2266253-1
OCEAN_2.0_Applicator-S-090F165O-
RSM



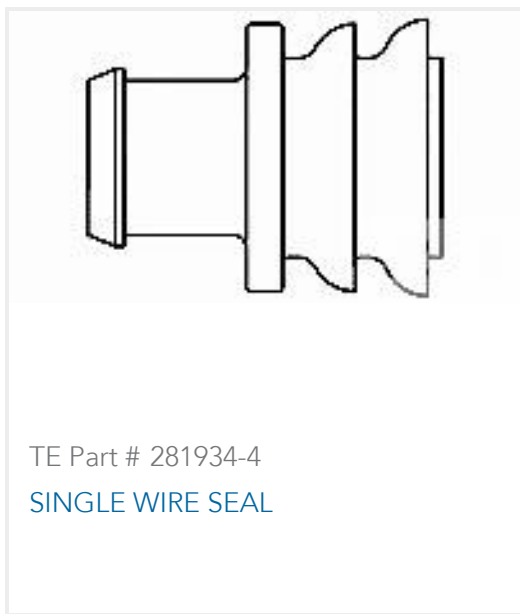
TE Part # 2266253-2
OCEAN_2.0_Applicator-S-090F165O-
RSA



TE Part # 281934-2
SINGLE WIRE SEAL



TE Part # 282081-1
RUBBER PLUG



TE Part # 281934-4
SINGLE WIRE SEAL



TE Part # 5-2266253-1
OCEAN_2.0_Applicator-S-090F165O-
RSM



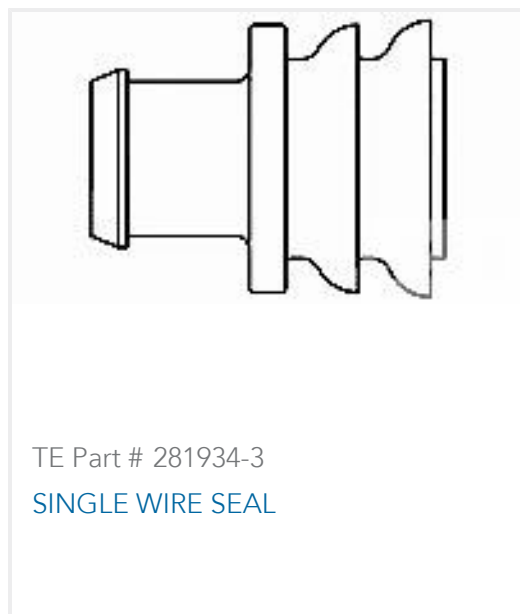
TE Part # 1745099-1
AMP SUPERSEAL 1,5 SRS. 2 POS. TAB
ASS'Y



TE Part # 7-2266253-7
OCEAN_2.0_SPARE_PART_KIT-
090F165O



TE Part # 2305570-1
Strip Terminal Cutter-Side Feed-No
Crimp

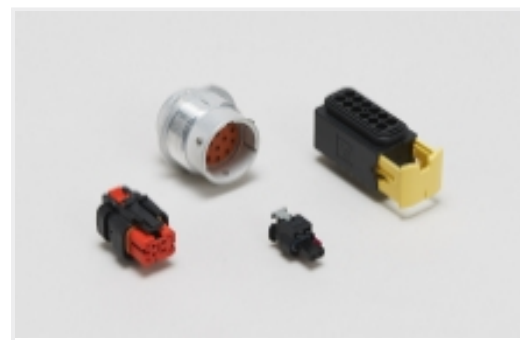


TE Part # 281934-3
SINGLE WIRE SEAL

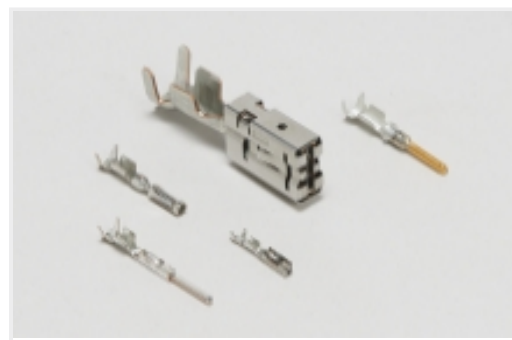
Also in the Series | **AMP Superseal 1.5mm Series**



Automotive Connector Caps & Covers (1)



Automotive Housings(23)



Automotive Terminals(16)



Connector Seals & Cavity Plugs(6)



Insertion & Extraction Tools(3)

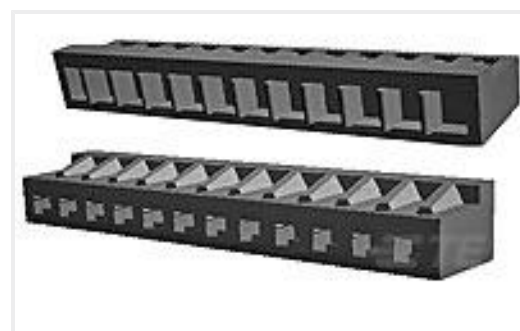


Other Automotive Connector Accessories(1)

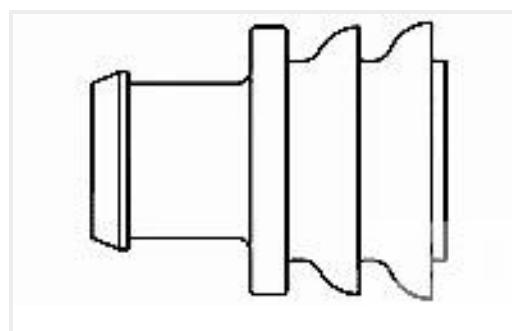
Customers Also Bought



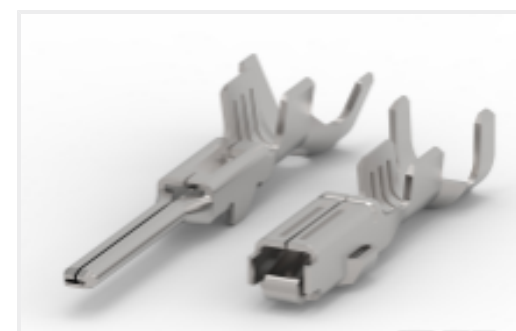
TE Part #CAT-AM71-CH8172
AMP SUPERSEAL 1.5MM,
CONNECTOR HOUSING



TE Part #172890-4
4P 2MM MINI AMP-IN HDR HSG



TE Part #281934-2
SINGLE WIRE SEAL



TE Part #CAT-AM71-T273
AMP SUPERSEAL 1.5MM,
RECEPTACLE AND TAB



TE Part #1801177-3
3W TAB CONNECTOR HP GREY

Documents

Product Drawings

[MINI MIC TAB CONTACT >1,5-](#)

English

CAD Files

[Customer View Model](#)

[ENG_CVM_CVM_282465-1_A.2d_dxf.zip](#)

English

[3D PDF](#)



3D

Customer View Model

[ENG_CVM_CVM_282465-1_A.3d_igs.zip](#)

English

Customer View Model

[ENG_CVM_CVM_282465-1_A.3d_stp.zip](#)

English

By downloading the CAD file I accept and agree to the [Terms and Conditions](#) of use.

Datasheets & Catalog Pages

[AMP SUPERSEAL 1.5mm Connector System](#)

English

[ICT Terminals and Connectors Catalogue](#)

English

Product Specifications

[Application Specification](#)

English