

2822357-1 ✓ ACTIVE

Econoseal | Econoseal J - 070

TE Internal #: 2822357-1

Cavity Plug, Black, NBR, Econoseal J - 070

[View on TE.com >](#)



Connectors > Connector Accessories > Connector Seals & Cavity Plugs > 4.00mm - 4.99mm Diameter Cavity Plugs



Connector Seal & Plug Type: **Cavity Plug**

Primary Product Color: **Black**

Primary Product Material: **NBR**

Shore A Hardness: **50**

Contains Lubricant: **Yes**

[All 4.00mm - 4.99mm Diameter Cavity Plugs \(2\)](#)

Features

Product Type Features

Connector Seal & Plug Type	Cavity Plug
----------------------------	-------------

Body Features

Primary Product Color	Black
-----------------------	-------

Primary Product Material	NBR
--------------------------	-----

Packaging Features

Packaging Method	Bag
------------------	-----

Packaging Quantity	1000
--------------------	------

Other

Shore A Hardness	50
------------------	----

Contains Lubricant	Yes
--------------------	-----

Product Compliance

[For compliance documentation, visit the product page on TE.com>](#)



EU RoHS Directive 2011/65/EU	Compliant
EU ELV Directive 2000/53/EC	Compliant
China RoHS 2 Directive MIIT Order No 32, 2016	No Restricted Materials Above Threshold
EU REACH Regulation (EC) No. 1907/2006	<p>Current ECHA Candidate List: JAN 2025 (247)</p> <p>Candidate List Declared Against: JAN 2025 (247)</p> <p>SVHC > Threshold: DBMC (1% in 30852762188)</p> <p>Article Safe Usage Statements: Wash thoroughly after handling. Do not handle until all safety precautions have been read and understood. Recycle if possible and dispose of the article by following all applicable governmental regulations relevant to your geographic location.</p>
Halogen Content	Low Halogen - Br, Cl, F, I < 900 ppm per homogenous material. Also BFR/CFR/PVC Free
Solder Process Capability	Not applicable for solder process capability

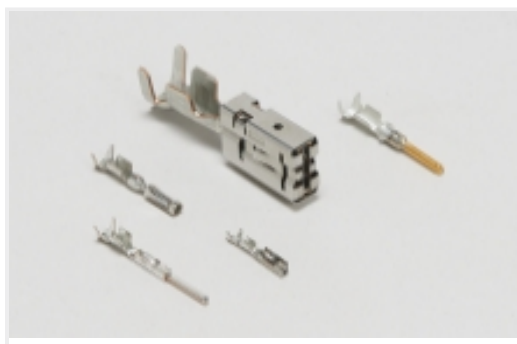
Product Compliance Disclaimer

This information is provided based on reasonable inquiry of our suppliers and represents our current actual knowledge based on the information they provided. This information is subject to change. The part numbers that TE has identified as EU RoHS compliant have a maximum concentration of 0.1% by weight in homogenous materials for lead, hexavalent chromium, mercury, PBB, PBDE, DBP, BBP, DEHP, DIBP, and 0.01% for cadmium, or qualify for an exemption to these limits as defined in the Annexes of Directive 2011/65/EU (RoHS2). Finished electrical and electronic equipment products will be CE marked as required by Directive 2011/65/EU. Components may not be CE marked. Additionally, the part numbers that TE has identified as EU ELV compliant have a maximum concentration of 0.1% by weight in homogenous materials for lead, hexavalent chromium, and mercury, and 0.01% for cadmium, or qualify for an exemption to these limits as defined in the Annexes of Directive 2000/53/EC (ELV). Regarding the REACH Regulation, the information TE provides on SVHC in articles for this part number is based on the latest European Chemicals Agency (ECHA) 'Guidance on requirements for substances in articles' posted at this URL: <https://echa.europa.eu/guidance-documents/guidance-on-reach>

Compatible Parts



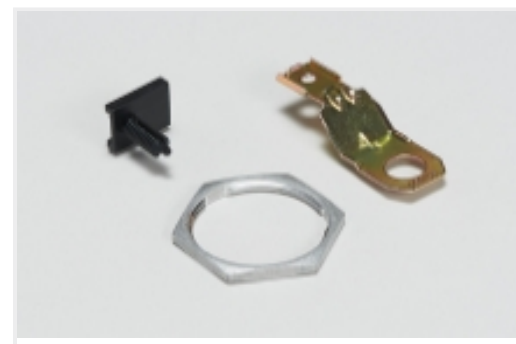
Also in the Series | Econoseal J - 070



Automotive Terminals(1)

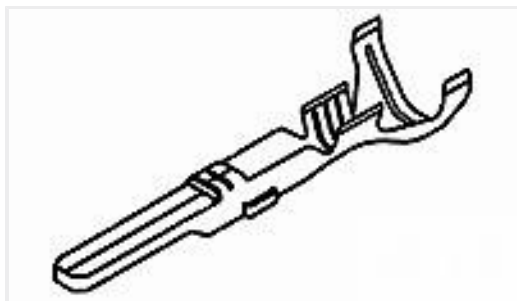


Connector Seals & Cavity Plugs(3)

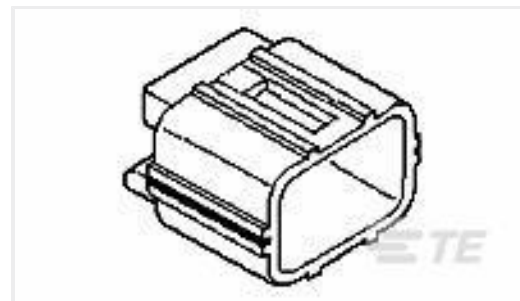


Other Automotive Connector Accessories(1)

Customers Also Bought



TE Part #171631-1
E-J MK-2 070 TAB CONT



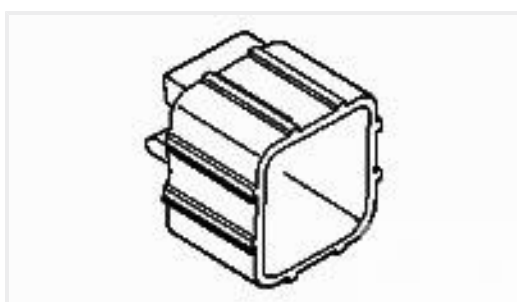
TE Part #174355-7
070 ECONOSEAL MARK-2 P/CAP 2P



TE Part #1-1825043-6
UP3DTANLB04,MICROSWITCH,SNAP



TE Part #CAT-EC7491-CH8172
ECONOSEAL, CONNECTOR HOUSING



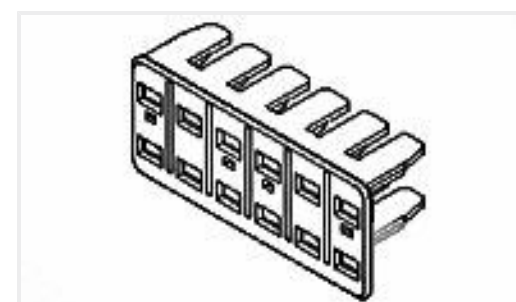
TE Part #174260-7
EOCNO-J MK-2 LOCK PLATE CAP 4P



TE Part #184115-1
12 POS. PLUG ASSY



TE Part #6612800-2
025/090 II 80POS CAP ASSY H RN



TE Part #184058-1
12 POS. PLUG DLP

Documents

Product Drawings

070 CAVITY PLUG

Japanese

CAD Files

3D PDF

3D

Customer View Model

[ENG_CVM_CVM_2822357-1_A.2d_dxf.zip](#)

English

Customer View Model

[ENG_CVM_CVM_2822357-1_A.3d_igs.zip](#)

English

Customer View Model

[ENG_CVM_CVM_2822357-1_A.3d_stp.zip](#)

English

By downloading the CAD file I accept and agree to the [Terms and Conditions](#) of use.



Product Specifications

Product Specification

Japanese

Product Specification

English

Product Specification

Japanese

Product Specification

Japanese

Product Specification

English