

2388501-2 ✓ ACTIVE

HIVONEX | Charging Inlets

TE Internal #: 2388501-2

7 Position Housing, Housing for Male Terminals, Wire-to-Panel, Sealable, Black, Wire & Cable, Power & Signal, Panel Mount, Charging Inlets

[View on TE.com >](#)



Connectors > Automotive Connectors > Automotive Housings



Number of Positions: 7

Connector & Housing Type: **Housing for Male Terminals**

Connector System: **Wire-to-Panel**

Sealable: **Yes**

Primary Locking Feature: **Integrated in Housing**

Features

Product Type Features

Mixed & Hybrid Connector	Yes
Connector & Housing Type	Housing for Male Terminals
Connector System	Wire-to-Panel
Sealable	Yes
Primary Locking Feature	Integrated in Housing
Connector & Contact Terminates To	Wire & Cable

Configuration Features

Number of Positions	7
---------------------	---

Electrical Characteristics

Nominal Voltage Architecture	250 V
------------------------------	-------

Body Features

Cable Exit Angle	90°
Primary Product Color	Black



Contact Features

Contact Current Rating (Max)	32 A, 200 A
------------------------------	-------------

Mechanical Attachment

Connector Mounting Type	Panel Mount
-------------------------	-------------

Dimensions

Product Width	132.5 mm[5.21 in]
---------------	-------------------

Product Length	126 mm[4.96 in]
----------------	-----------------

Connector Height	164.5 mm[6.45 in]
------------------	-------------------

Usage Conditions

Operating Temperature (Max)	85 °C[185 °F]
-----------------------------	---------------

Operating Temperature Range	-40 – 85 °C[-40 – 185 °F]
-----------------------------	---------------------------

Operation/Application

Circuit Application	Power & Signal
---------------------	----------------

Industry Standards

IP Rating	IP67
-----------	------

Packaging Features

Packaging Method	Box
------------------	-----

Packaging Quantity	1
--------------------	---

Other

Connector Position Assurance Capable	No
--------------------------------------	----

Product Compliance

[For compliance documentation, visit the product page on TE.com>](#)

EU RoHS Directive 2011/65/EU	Compliant with Exemptions
------------------------------	---------------------------

EU ELV Directive 2000/53/EC	Compliant with Exemptions
-----------------------------	---------------------------

China RoHS 2 Directive MIIT Order No 32, 2016	Restricted Materials Above Threshold
---	--------------------------------------

EU REACH Regulation (EC) No. 1907/2006	<p>Current ECHA Candidate List: JAN 2025 (247)</p> <p>Candidate List Declared Against: JUNE 2022 (224)</p> <p>SVHC > Threshold:</p> <p>Pb (3.7% in COMPONENT PART)</p>
--	---

Article Safe Usage Statements:

Do not eat, drink or smoke when using this product. Wash thoroughly after handling. Recycle if possible and dispose of the article by following all applicable governmental regulations relevant to your geographic location.



Halogen Content

Not Yet Reviewed for halogen content

Solder Process Capability

Not reviewed for solder process capability

Product Compliance Disclaimer

This information is provided based on reasonable inquiry of our suppliers and represents our current actual knowledge based on the information they provided. This information is subject to change. The part numbers that TE has identified as EU RoHS compliant have a maximum concentration of 0.1% by weight in homogenous materials for lead, hexavalent chromium, mercury, PBB, PBDE, DBP, BBP, DEHP, DIBP, and 0.01% for cadmium, or qualify for an exemption to these limits as defined in the Annexes of Directive 2011/65/EU (RoHS2). Finished electrical and electronic equipment products will be CE marked as required by Directive 2011/65/EU. Components may not be CE marked. Additionally, the part numbers that TE has identified as EU ELV compliant have a maximum concentration of 0.1% by weight in homogenous materials for lead, hexavalent chromium, and mercury, and 0.01% for cadmium, or qualify for an exemption to these limits as defined in the Annexes of Directive 2000/53/EC (ELV). Regarding the REACH Regulations, TE's information on SVHC in articles for this part number is still based on the European Chemical Agency (ECHA) 'Guidance on requirements for substances in articles' (Version: 2, April 2011), applying the 0.1% weight on weight concentration threshold at the finished product level. TE is aware of the European Court of Justice ruling of September 10th, 2015 also known as O5A (Once An Article Always An Article) stating that, in case of 'complex object', the threshold for a SVHC must be applied to both the product as a whole and simultaneously to each of the articles forming part of its composition. TE has evaluated this ruling based on the new ECHA "Guidance on requirements for substances in articles" (June 2017, version 4.0) and will be updating its statements accordingly.

Compatible Parts



TE Part # 2276149-6
Large Size Wire Applicator-LP



TE Part # 2151022-1
OCEAN_2.0_APPLICATOR-S-055F070F-RSM



TE Part # 2296057-2
COVER, CABLE SEAL, AC



TE Part # 2293266-3
DIA 3.6MM,PIN TERMINAL

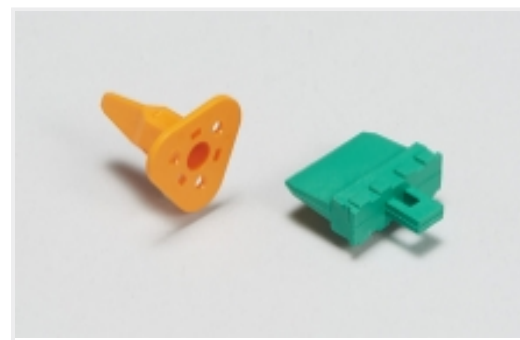


TE Part # 1-967640-1
4POS MQS REC COD A

Also in the Series | [Charging Inlets](#)



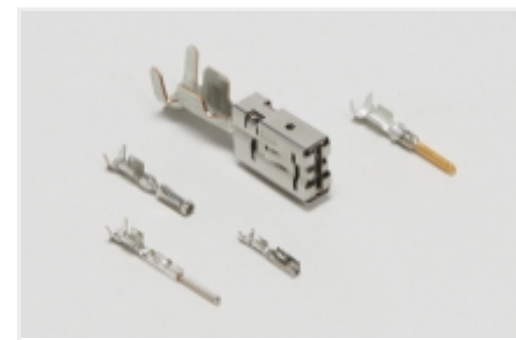
Automotive Connector Caps & Covers (56)



Automotive Connector Locks & Position Assurance(1)



Automotive Housings(30)



Automotive Terminals(2)



Connector Seals & Cavity Plugs(5)



Electric, Hybrid & Fuel Cell Cable Assemblies(101)



High Voltage Wire Processing Equipment(17)

Customers Also Bought



TE Part #2-1904058-5
V23700C0001A408-EV-CBOX



TE Part #CAT-AQ6-CIFA
Charging Inlets Flap Assembly



TE Part #1-1718644-1
3POS, MCON 1.2 LL REC SEALED



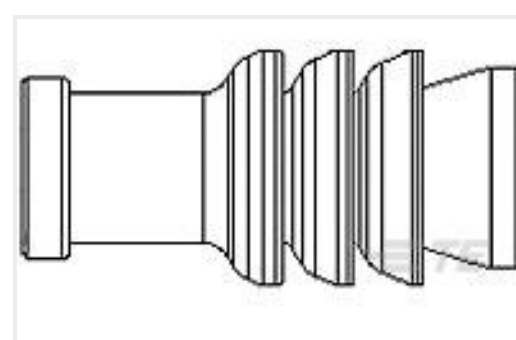
TE Part #2-1718644-1
3POS, MCON 1.2 LL REC SEALED



TE Part #CAT-G3353-T273
GET .64 CONNECTOR SYSTEM,
RECEPT AND TAB



TE Part #7-1452668-1
MCON 1.2 LL REC SWS SN



TE Part #967056-1
MQS BLINDSTOPFEN4MM

Documents

Product Drawings

[CHARGE INLET, COMBO 1, LED, 90 DEGREE](#)

English

CAD Files

Customer View Model

[ENG_CVM_CVM_2388501-2_B.3d_stp.zip](#)

English

Customer View Model



[ENG_CVM_CVM_2388501-2_B.3d_igs.zip](#)

English

Customer View Model

[ENG_CVM_CVM_2388501-2_B.2d_dxf.zip](#)

English

3D PDF

3D

By downloading the CAD file I accept and agree to the [Terms and Conditions](#) of use.

Datasheets & Catalog Pages

HIVONEX CONNECTORS & CHARGING SOLUTIONS

English

Product Specifications

Application Specification

English