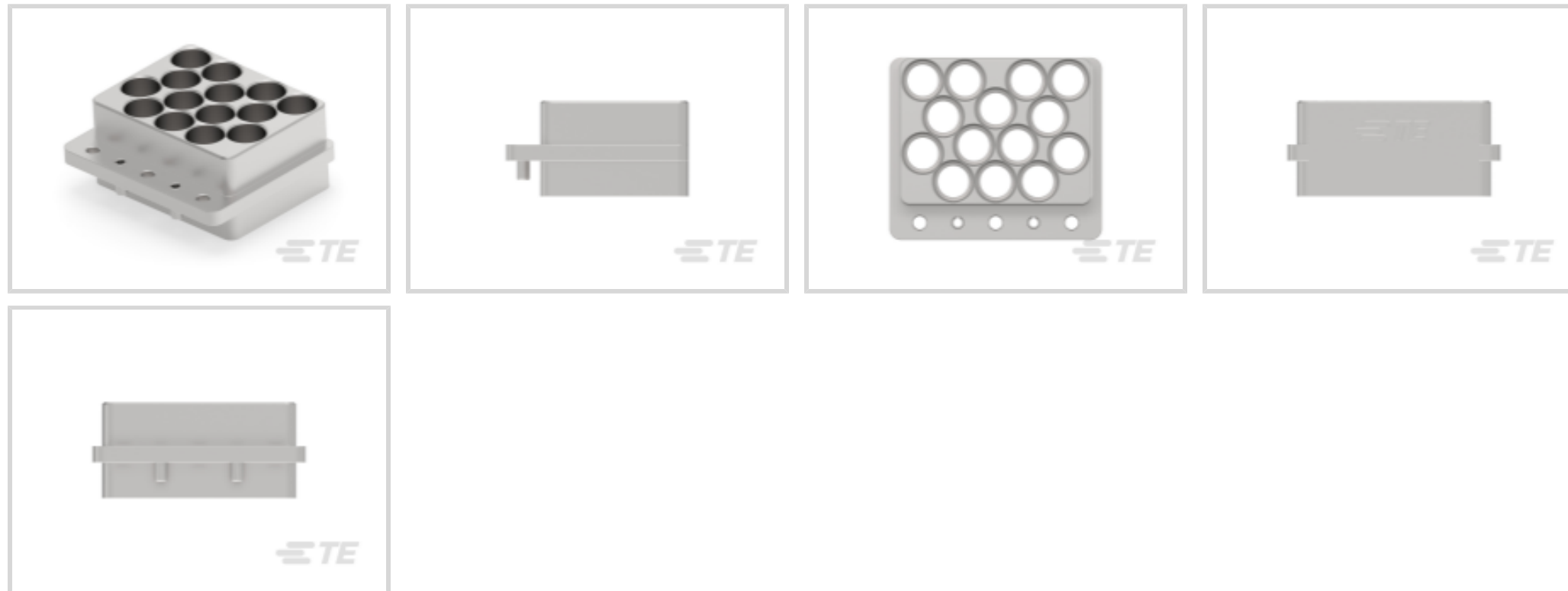




TE Internal #: 2361107-1  
 14 Coaxial Contacts, Vertical, Aluminum Alloy, Cable-to-Cable, 14  
 Position, Wire & Cable, Board Mount, -65 – 120 °C [-85 – 248 °F],  
 PCB RF Modules

[View on TE.com >](#)

Connectors > RF Connectors > RF Modules > PCB RF Modules



Number of Coaxial Contacts: **14**  
 PCB Mount Orientation: **Vertical**  
 Body Material: **Aluminum Alloy**  
 Connector System: **Cable-to-Cable**  
 Number of Positions: **14**

### Features

#### Product Type Features

Connector System	Cable-to-Cable
Connector & Contact Terminates To	Wire & Cable

#### Configuration Features

Number of Coaxial Contacts	14
PCB Mount Orientation	Vertical
Number of Positions	14

#### Body Features

Body Material	Aluminum Alloy
---------------	----------------

#### Mechanical Attachment

Connector Mounting Type	Board Mount
-------------------------	-------------

#### Usage Conditions

Operating Temperature Range	-65 – 120 °C[-85 – 248 °F]
-----------------------------	----------------------------

#### Operation/Application

Circuit Application	Signal
---------------------	--------



## Product Compliance

[For compliance documentation, visit the product page on TE.com>](#)

EU RoHS Directive 2011/65/EU	Compliant
EU ELV Directive 2000/53/EC	Compliant
China RoHS 2 Directive MIIT Order No 32, 2016	No Restricted Materials Above Threshold
EU REACH Regulation (EC) No. 1907/2006	Current ECHA Candidate List: JAN 2025 (247) Candidate List Declared Against: JAN 2025 (247) Does not contain REACH SVHC
Halogen Content	Low Halogen - Br, Cl, F, I < 900 ppm per homogenous material. Also BFR/CFR/PVC Free
Solder Process Capability	Not reviewed for solder process capability

### Product Compliance Disclaimer

This information is provided based on reasonable inquiry of our suppliers and represents our current actual knowledge based on the information they provided. This information is subject to change. The part numbers that TE has identified as EU RoHS compliant have a maximum concentration of 0.1% by weight in homogenous materials for lead, hexavalent chromium, mercury, PBB, PBDE, DBP, BBP, DEHP, DIBP, and 0.01% for cadmium, or qualify for an exemption to these limits as defined in the Annexes of Directive 2011/65/EU (RoHS2). Finished electrical and electronic equipment products will be CE marked as required by Directive 2011/65/EU. Components may not be CE marked. Additionally, the part numbers that TE has identified as EU ELV compliant have a maximum concentration of 0.1% by weight in homogenous materials for lead, hexavalent chromium, and mercury, and 0.01% for cadmium, or qualify for an exemption to these limits as defined in the Annexes of Directive 2000/53/EC (ELV). Regarding the REACH Regulation, the information TE provides on SVHC in articles for this part number is based on the latest European Chemicals Agency (ECHA) 'Guidance on requirements for substances in articles' posted at this URL: <https://echa.europa.eu/guidance-documents/guidance-on-reach>

## Compatible Parts





TE Part # 2490865-1  
RF .047 Assembly, SMPM Jack - SMA Plug



TE Part # 2332676-2  
SMPM CABLE JACK VITA 67-3 SNAP 047



TE Part # 2490864-1  
RF .047 Assembly, SMPM Jack - SMPM Jack



TE Part # 2332829-1  
VITA 67.3 DC MODULE 14 POSITION SS



TE Part # 2490866-1  
RF .086 Assembly, SMPM Jack - SMA Plug



TE Part # 2332676-1  
SMPM CABLE JACK VITA 67-3 SNAP .086



TE Part # 2490864-2  
RF .047 Assembly, SMPM Jack - SMPM Jack



TE Part # 2490867-1  
RF .086 Assembly, SMPM Jack - 2.9 Plug



TE Part # 2490872-1  
RF .086 Assembly, SMPM Jack - SMPM Jack

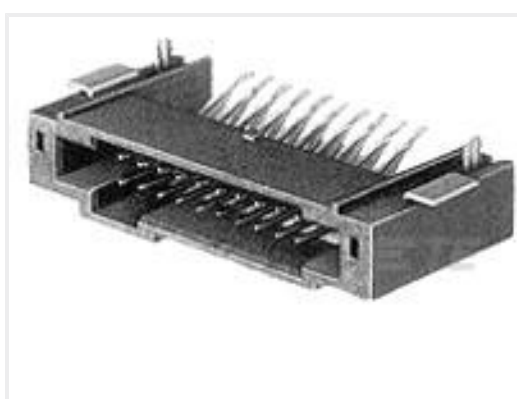


TE Part # 2490872-2  
RF .086 Assembly, SMPM Jack - SMPM Jack



TE Part # 2490867-2  
RF .086 Assembly, SMPM Jack - 2.9 Plug

## Customers Also Bought



TE Part #5-104894-3  
30 50/50 GRID RA HDR LF



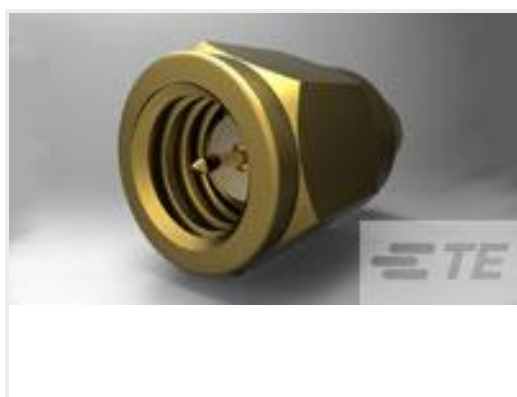
TE Part #2023246-2  
ASS'Y SATA REC. R/A SMT TYPE 3.45H



TE Part #YDTS26W25-35PAV001  
PLUG ASSY



TE Part #2364030-1  
VERTRECCASSY,RIGHTEND,MULTIGIG RT3(Sn/Pb)



TE Part #1996942-1  
OSMR STR CBL PLUG RG405



TE Part #9-1393116-1  
KUMP-14D18-24=KU



TE Part #2000676-2  
Keyed Guide Pin, Machined, Vita 46



TE Part #1-2358899-3  
conn .assy ,plug ,FO, MTsize15, 4cav



TE Part #2000713-9  
RA Keyed Guide Mod, Vita 46,  
Machined



TE Part #2170805-4  
CAGE ASSEMBLY, 1X2, QSFP28,  
SPRING

## Documents

### Product Drawings

[MOD 14 POS SMPM VITA 67-3 TYPE A BP](#)

English

### CAD Files

[3D PDF](#)

3D

Customer View Model

[ENG\\_CVM\\_CVM\\_2361107-1\\_A.2d\\_dxf.zip](#)

English

Customer View Model

[ENG\\_CVM\\_CVM\\_2361107-1\\_A.3d\\_igs.zip](#)

English

Customer View Model

[ENG\\_CVM\\_CVM\\_2361107-1\\_A.3d\\_stp.zip](#)

English

By downloading the CAD file I accept and agree to the [Terms and Conditions](#) of use.

### Product Specifications

[Application Specification](#)

English