

2341474-1 ✓ ACTIVE

LUMAWISE | LUMAWISE Endurance S

TE Internal #: 2341474-1

Accessory, Dark Gray, Keyed / Not Vented, Sealable, LUMAWISE Endurance S

[View on TE.com >](#)



Connectors > Lighting Connectors > Street Lighting Controls > Street Lighting Connectors



Lighting Product Type: **Accessory**

Primary Product Color: **Dark Gray**

Lighting Connector Features Included: **Keyed, Not Vented**

Sealable: **Yes**

## Features

### Product Type Features

Lighting Product Type	Accessory
Sealable	Yes

### Configuration Features

Lighting Connector Features Included	Keyed, Not Vented
--------------------------------------	-------------------

### Body Features

Primary Product Color	Dark Gray
-----------------------	-----------

## Product Compliance

[For compliance documentation, visit the product page on TE.com>](#)

EU RoHS Directive 2011/65/EU	Compliant
EU ELV Directive 2000/53/EC	Compliant
China RoHS 2 Directive MIIT Order No 32, 2016	No Restricted Materials Above Threshold
EU REACH Regulation (EC) No. 1907/2006	Current ECHA Candidate List: JAN 2025 (247) Candidate List Declared Against: JAN 2025 (247) Does not contain REACH SVHC

Halogen Content	Not Low Halogen - contains Br or Cl > 900 ppm.
-----------------	------------------------------------------------

Solder Process Capability	Not applicable for solder process capability
---------------------------	----------------------------------------------

**Product Compliance Disclaimer**

This information is provided based on reasonable inquiry of our suppliers and represents our current actual knowledge based on the information they provided. This information is subject to change. The part numbers that TE has identified as EU RoHS compliant have a maximum concentration of 0.1% by weight in homogenous materials for lead, hexavalent chromium, mercury, PBB, PBDE, DBP, BBP, DEHP, DIBP, and 0.01% for cadmium, or qualify for an exemption to these limits as defined in the Annexes of Directive 2011/65/EU (RoHS2). Finished electrical and electronic equipment products will be CE marked as required by Directive 2011/65/EU. Components may not be CE marked. Additionally, the part numbers that TE has identified as EU ELV compliant have a maximum concentration of 0.1% by weight in homogenous materials for lead, hexavalent chromium, and mercury, and 0.01% for cadmium, or qualify for an exemption to these limits as defined in the Annexes of Directive 2000/53/EC (ELV). Regarding the REACH Regulation, the information TE provides on SVHC in articles for this part number is based on the latest European Chemicals Agency (ECHA) 'Guidance on requirements for substances in articles' posted at this URL: <https://echa.europa.eu/guidance-documents/guidance-on-reach>

## Compatible Parts



TE Part # 2363638-6  
Recept, LUMAWISE Endurance S2,Key A



TE Part # 1-2363638-6  
Rcpt, LUMAWISE Endurance S2,Key A, Dots



TE Part # 2382635-1  
LUMAWISE POWER INPUT TERMINAL BLOCK (TB)



TE Part # 2452802-2  
LUMAWISE ENDURANCE S Recept, 33mm, Key A



TE Part # 2343403-1  
RECEPTACLE, LUMAWISE ENDURANCE S, KEYED

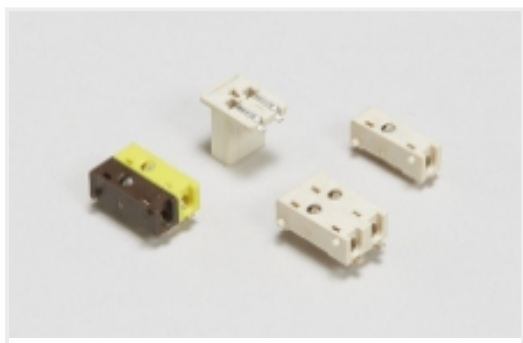


TE Part # 2363638-2  
Recept, LUMAWISE Endurance S2 Kit, KeyA




TE Part # 1-2363638-2  
Rcpt,LUMAWISE Endurance S2 Kit, KeyA,Dots

## Also in the Series | LUMAWISE Endurance S



Poke-In Connectors(1)

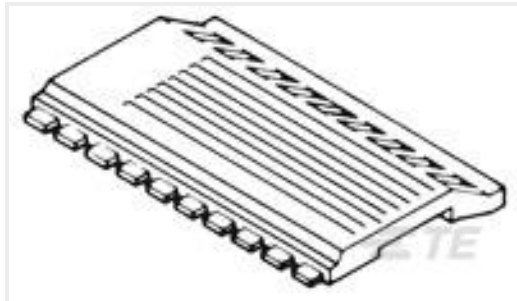


Street Lighting Connectors(47)



Street Lighting Power Management(5)

## Customers Also Bought



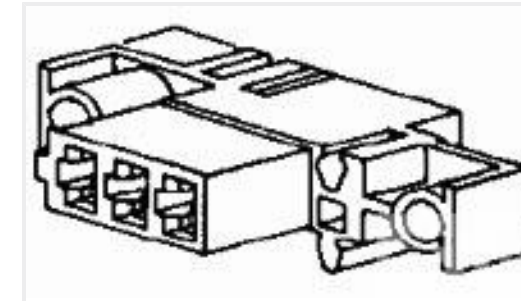
TE Part #1-102541-0  
24 AMPMODU MT COVER DR .100CL



TE Part #1-2343404-1  
MODULE ASSY,80MM LUMAWISE S,  
KEYED,vented



TE Part #1-102162-0  
050 UNIV HDR RA 4S 30DP STD



TE Part #1-480252-0  
FF 187 REC HSG 3P NYLON NAT



TE Part #2343403-1  
RECEPTACLE, LUMAWISE  
ENDURANCE S, KEYED



TE Part #2213858-1  
RECEPTACLE ASSEM., LUMAWISE  
ENDURANCE S



TE Part #1-1871935-4  
DYNAMIC 1900D HDR ASSY H-TYPE  
8P



TE Part #1-640383-9  
19P MTA156 HDR ASSY STR SQ SN



TE Part #1-87348-0  
10 MODII HDR SRST UNSHRD .100



TE Part #1420011-3  
GET CONNECTOR

## Documents

### Product Drawings

[SEALING CAP, RCPT, LUMAWISE ENDURANCE S](#)

English

### CAD Files

[3D PDF](#)

3D

Customer View Model

[ENG\\_CVM\\_CVM\\_2341474-1\\_A.2d\\_dxf.zip](#)

English

Customer View Model

[ENG\\_CVM\\_CVM\\_2341474-1\\_A.3d\\_igs.zip](#)

English

Customer View Model

[ENG\\_CVM\\_CVM\\_2341474-1\\_A.3d\\_stp.zip](#)

English

By downloading the CAD file I accept and agree to the [Terms and Conditions](#) of use.



### Datasheets & Catalog Pages

[LUMAWISE STREET LIGHT DIMMING AND CONTROL QUICK REFERENCE GUIDE](#)

English

[Datasheet - Lumawise Z10](#)

English

[Lumawise Endurance S Modules](#)

English

---

### Product Specifications

[Application Specification](#)

English

---

### Agency Approvals

[UL\\_EU\\_CERT\\_EN\\_61984\\_UL\\_EU\\_01778\\_M1\\_C1](#)

English

[CB\\_CERT\\_IEC\\_61984\\_US\\_34131\\_M1\\_UL\\_C1](#)

English

[CB\\_CERT\\_US\\_34131\\_M1\\_UL\\_4788988643\\_TR\\_C1](#)

English