



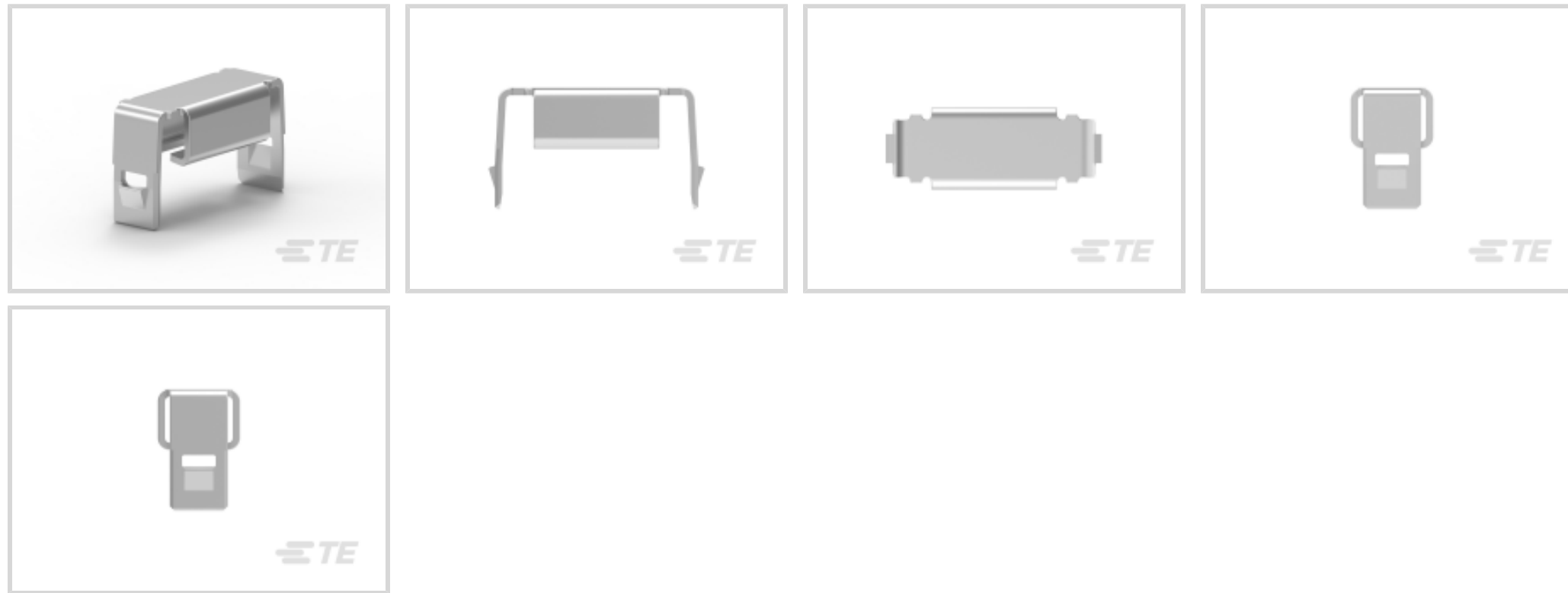
Dynamic Series | Dynamic Series Thermocouple Connector

TE Internal #: 2295205-1

Shield & Strain Relief, Stainless Steel, Dynamic Series Thermocouple Connector

[View on TE.com >](#)

Connectors > Connector Accessories > Connector Caps & Covers



Connector Cover Type: **Shield & Strain Relief**

Primary Product Material: **Stainless Steel**

Operating Temperature (Max): **220 °C [428 °F]**

Operating Temperature Range: **-20 – 220 °C [-4 – 428 °F]**

Features

Product Type Features

Connector Cover Type	Shield & Strain Relief
----------------------	------------------------

Body Features

Primary Product Material	Stainless Steel
--------------------------	-----------------

Mechanical Attachment

Strain Relief	With
---------------	------

Usage Conditions

Operating Temperature (Max)	220 °C[428 °F]
-----------------------------	----------------

Operating Temperature Range	-20 – 220 °C[-4 – 428 °F]
-----------------------------	---------------------------

Product Compliance

[For compliance documentation, visit the product page on TE.com>](#)

EU RoHS Directive 2011/65/EU	Compliant
------------------------------	-----------

EU ELV Directive 2000/53/EC	Compliant
-----------------------------	-----------

China RoHS 2 Directive MIIT Order No 32, 2016	No Restricted Materials Above Threshold
---	---

EU REACH Regulation (EC) No. 1907/2006	
--	--



Current ECHA Candidate List: JAN 2025
(247)
Candidate List Declared Against: JAN 2025
(247)
Does not contain REACH SVHC

Halogen Content	Low Halogen - Br, Cl, F, I < 900 ppm per homogenous material. Also BFR/CFR/PVC Free
-----------------	---

Solder Process Capability	Not applicable for solder process capability
---------------------------	--

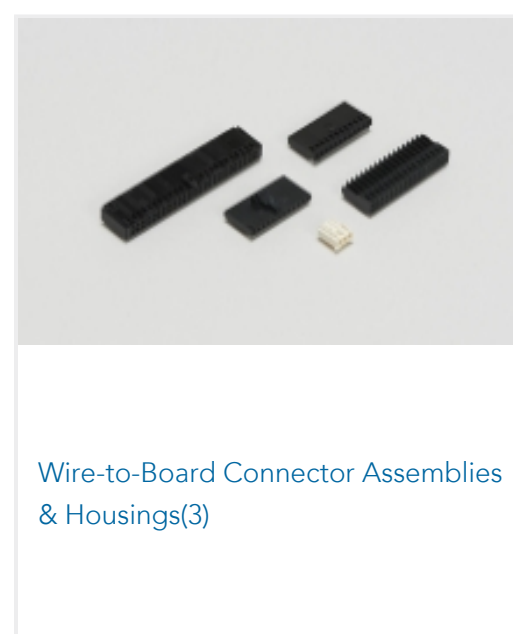
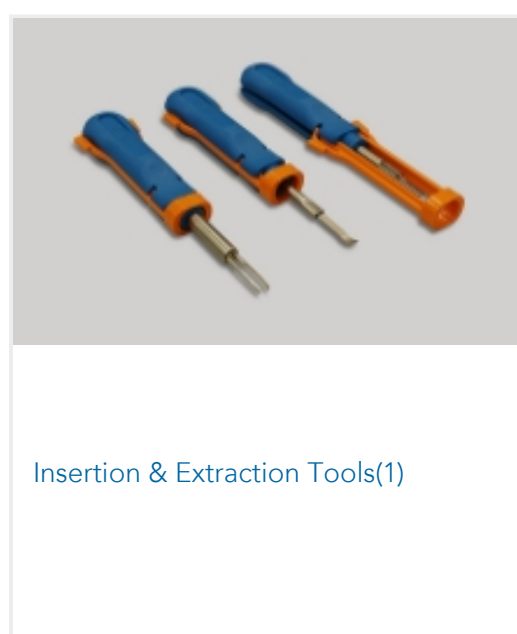
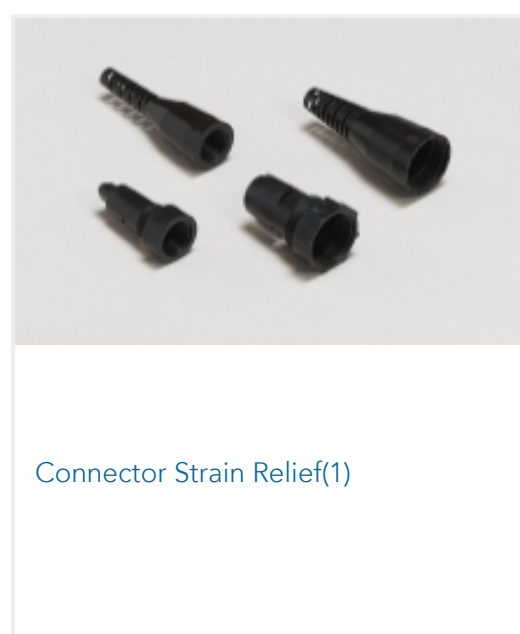
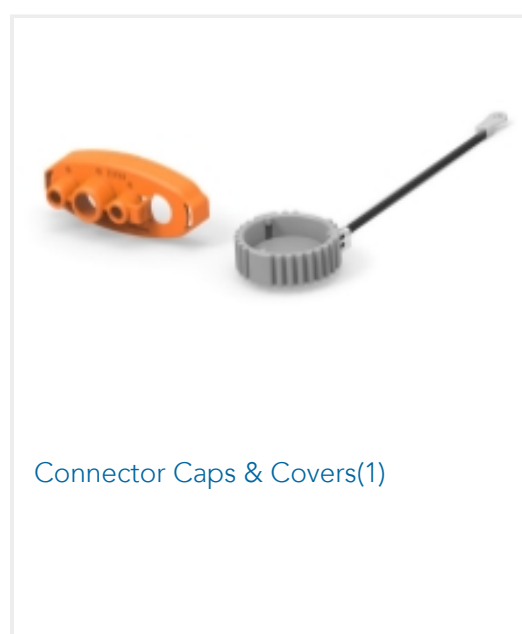
Product Compliance Disclaimer

This information is provided based on reasonable inquiry of our suppliers and represents our current actual knowledge based on the information they provided. This information is subject to change. The part numbers that TE has identified as EU RoHS compliant have a maximum concentration of 0.1% by weight in homogenous materials for lead, hexavalent chromium, mercury, PBB, PBDE, DBP, BBP, DEHP, DIBP, and 0.01% for cadmium, or qualify for an exemption to these limits as defined in the Annexes of Directive 2011/65/EU (RoHS2). Finished electrical and electronic equipment products will be CE marked as required by Directive 2011/65/EU. Components may not be CE marked. Additionally, the part numbers that TE has identified as EU ELV compliant have a maximum concentration of 0.1% by weight in homogenous materials for lead, hexavalent chromium, and mercury, and 0.01% for cadmium, or qualify for an exemption to these limits as defined in the Annexes of Directive 2000/53/EC (ELV). Regarding the REACH Regulation, the information TE provides on SVHC in articles for this part number is based on the latest European Chemicals Agency (ECHA) 'Guidance on requirements for substances in articles' posted at this URL: <https://echa.europa.eu/guidance-documents/guidance-on-reach>

Compatible Parts



Also in the Series | Dynamic Series Thermocouple Connector



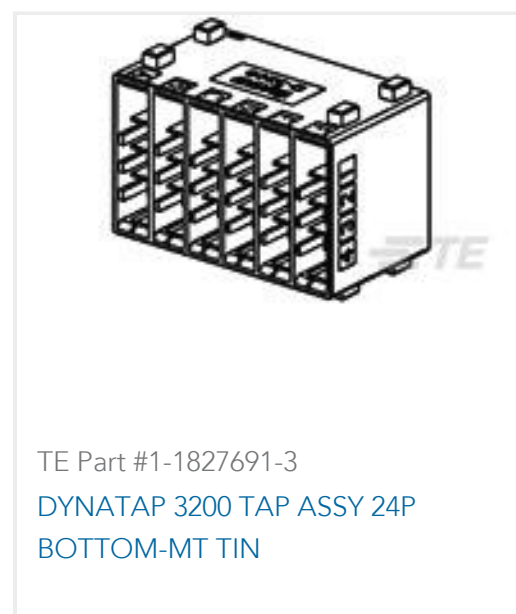
Customers Also Bought



TE Part #1473668-1
KIT D-5 (D-5 DYNA-CLAMP 3P)



TE Part #2295226-1
THERMOCOUPLE CONNECTOR.
OPENER.



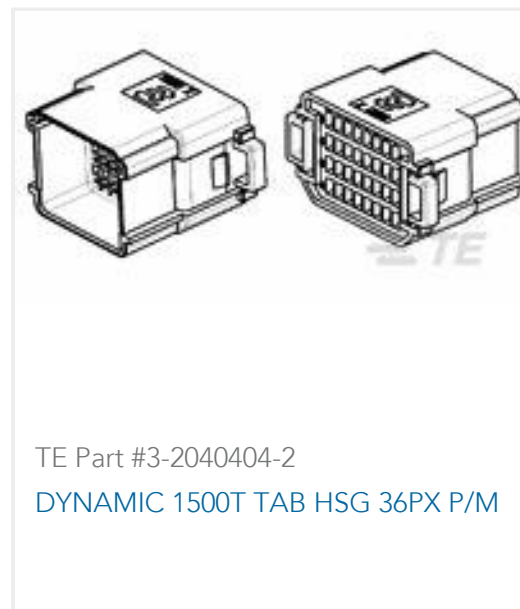
TE Part #1-1827691-3
DYNATAP 3200 TAP ASSY 24P
BOTTOM-MT TIN



TE Part #1-1903127-7
DYNAMIC 1100D TAB HSG 34P F/H



TE Part #CAT-D9934-A15B
Receptacle and Tab Housing: 2.5 mm
Pitch, 250V



TE Part #3-2040404-2
DYNAMIC 1500T TAB HSG 36PX P/M



TE Part #513381J001
V2-30.0-0-FSP-SM



TE Part #178803-6
DYNAMIC D3100D TAB HSG PM 12P



TE Part #1376807-2
DYNATAP CONN. 18P ASSY -DYNAMI

Documents

Product Drawings

[THERMOCOUPLE CONNECTOR.STRAIN RELIEF.](#)

English

CAD Files

[3D PDF](#)

3D

Customer View Model

[ENG_CVM_CVM_2295205-1_C.2d_dxf.zip](#)

English

Customer View Model

[ENG_CVM_CVM_2295205-1_C.3d_igs.zip](#)

English

Customer View Model

[ENG_CVM_CVM_2295205-1_C.3d_stp.zip](#)

English

By downloading the CAD file I accept and agree to the [Terms and Conditions](#) of use.

Datasheets & Catalog Pages



1-1773895-2_THERMOCOUPLE_FLYER

English

Product Specifications

Product Specification

Japanese