

2271180-1 ✓ ACTIVE

LIGHT-N-LOK | LIGHT-N-LOK Ballast Connector

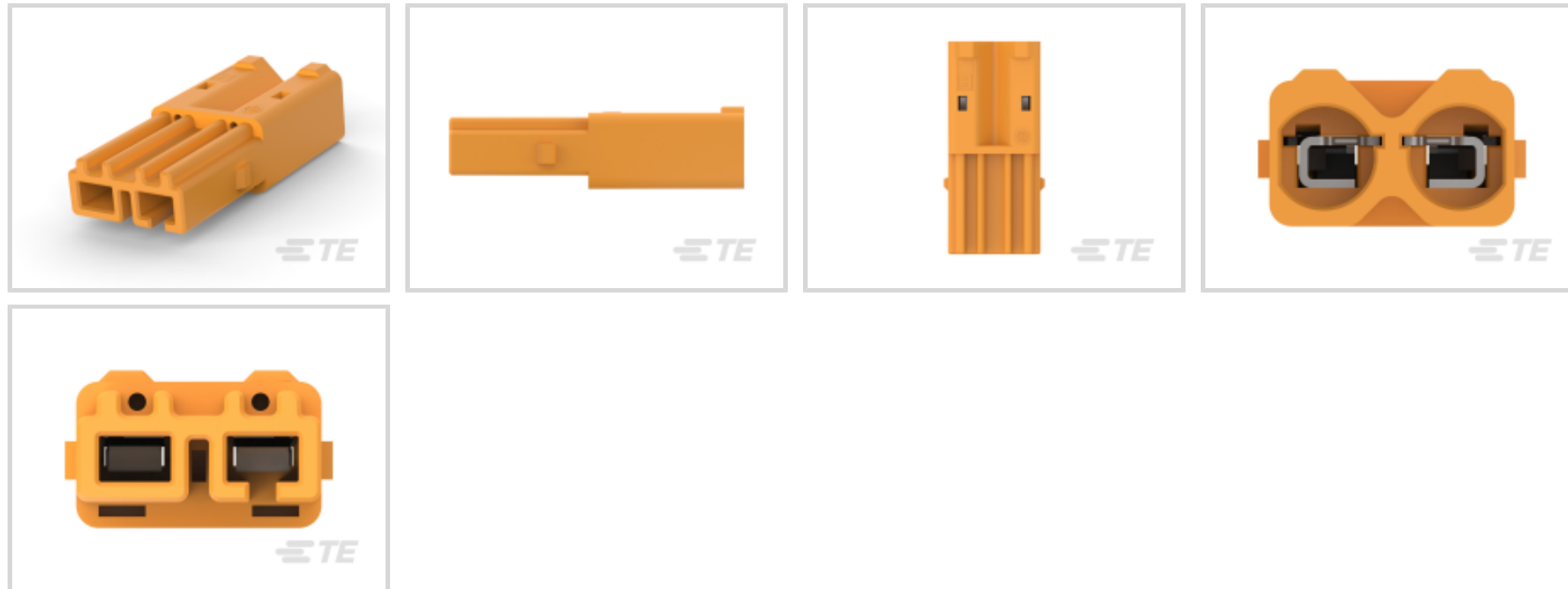
TE Internal #: 2271180-1

2 Position Ballast Connector, Connector, Poke-In, Wire-to-Wire, 5.7 mm Centerline, Wire & Cable, 18 – 22 AWG, LIGHT-N-LOK Ballast Connector

[View on TE.com >](#)



Connectors > Lighting Connectors > Ballast Connectors



Number of Positions: 2

Lighting Product Type: **Connector**

Termination Method to Wire & Cable: **Poke-In**

Connector System: **Wire-to-Wire**

Centerline (Pitch): **5.7 mm**

Features

Product Type Features

Lighting Product Type	Connector
Connector System	Wire-to-Wire
Sealable	No
Connector & Contact Terminates To	Wire & Cable

Configuration Features

Number of Rows	1
Number of Positions	2

Electrical Characteristics

Operating Voltage (Max)	600 VAC
-------------------------	---------

Body Features

Primary Product Color	Orange
-----------------------	--------

Contact Features

Contact Current Rating (Max)	3 A
------------------------------	-----



Termination Features

Termination Method to Wire & Cable	Poke-In
------------------------------------	---------

Mechanical Attachment

Mating Alignment	With
------------------	------

Housing Features

Centerline (Pitch)	5.7 mm
--------------------	--------

Dimensions

Connector Width	10.95 mm
Connector Height	7 mm
Connector Length	25.2 mm
Wire Size	18 – 22 AWG

Usage Conditions

Operating Temperature Range	-40 – 105 °C[-40 – 221 °F]
-----------------------------	----------------------------

Industry Standards

UL Flammability Rating	UL 94V-0
Compatible With Approved Standards Products	UL 2459

Packaging Features

Packaging Method	Loose Piece
Packaging Quantity	500

Product Compliance

[For compliance documentation, visit the product page on TE.com>](#)

EU RoHS Directive 2011/65/EU	Compliant
EU ELV Directive 2000/53/EC	Compliant
China RoHS 2 Directive MIIT Order No 32, 2016	No Restricted Materials Above Threshold
EU REACH Regulation (EC) No. 1907/2006	Current ECHA Candidate List: JAN 2025 (247) Candidate List Declared Against: JAN 2025 (247) SVHC > Threshold: Melamine (3% in 23412681598) Article Safe Usage Statements: Wash thoroughly after handling. Do not handle until all safety precautions have been read and understood. Recycle if possible and dispose of the article by following all applicable governmental regulations relevant to your geographic location.
Halogen Content	Low Halogen - Br, Cl, F, I < 900 ppm per

homogenous material. Also BFR/CFR/PVC Free

Solder Process Capability

Not reviewed for solder process capability

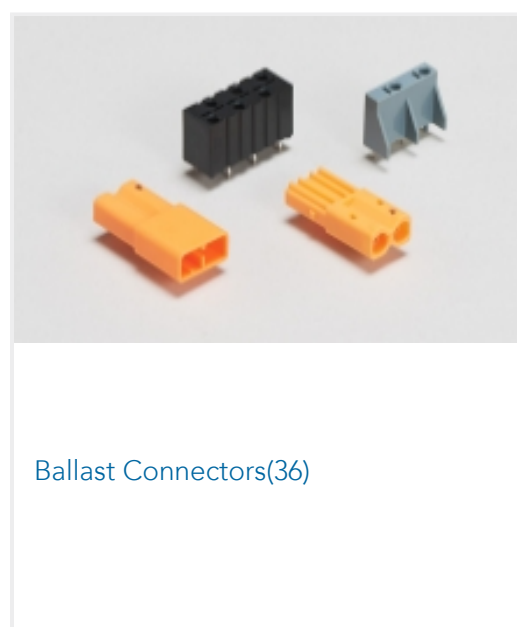
Product Compliance Disclaimer

This information is provided based on reasonable inquiry of our suppliers and represents our current actual knowledge based on the information they provided. This information is subject to change. The part numbers that TE has identified as EU RoHS compliant have a maximum concentration of 0.1% by weight in homogenous materials for lead, hexavalent chromium, mercury, PBB, PBDE, DBP, BBP, DEHP, DIBP, and 0.01% for cadmium, or qualify for an exemption to these limits as defined in the Annexes of Directive 2011/65/EU (RoHS2). Finished electrical and electronic equipment products will be CE marked as required by Directive 2011/65/EU. Components may not be CE marked. Additionally, the part numbers that TE has identified as EU ELV compliant have a maximum concentration of 0.1% by weight in homogenous materials for lead, hexavalent chromium, and mercury, and 0.01% for cadmium, or qualify for an exemption to these limits as defined in the Annexes of Directive 2000/53/EC (ELV). Regarding the REACH Regulation, the information TE provides on SVHC in articles for this part number is based on the latest European Chemicals Agency (ECHA) 'Guidance on requirements for substances in articles' posted at this URL: <https://echa.europa.eu/guidance-documents/guidance-on-reach>

Compatible Parts



Also in the Series | LIGHT-N-LOK Ballast Connector



Customers Also Bought



TE Part #2176177-3
CRGH0603 1% 220R 0.2W



TE Part #3-640429-8
08P MTA156 CONN ASSY 24AWG
WHT



TE Part #2271180-3
PLUG, 2PIN WIRE TO WIRE
CONNECTOR



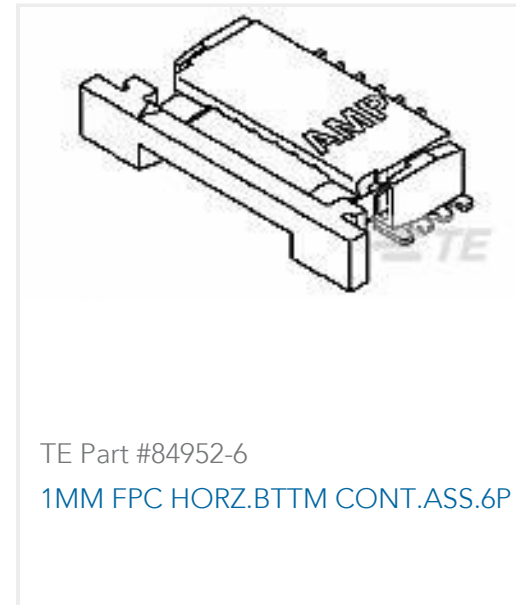
TE Part #3-1879026-8
YR1 0.1% 23R7



TE Part #281839-4
HOUSING HE13 HE14 COSI 2X4 P



TE Part #2271183-3
RECEPTACLE, 2PINS WIRE TO WIRE
CONNECTOR



TE Part #84952-6
1MM FPC HORZ.BTMM CONT.ASS.6P



TE Part #1-2834067-2
SOCKET CONTACT, MINIATURE
WATERPROOF CONN



TE Part #2213401-1
LUMAWISE LED HOLDER Z50 LOW
PROFILE 1818



TE Part #3-2176339-7
CRGCQ 0603 10K 1%

Documents

Product Drawings

PLUG, 2PIN WIRE TO WIRE CONNECTOR

English

CAD Files

3D PDF

3D

Customer View Model

[ENG_CVM_CVM_2271180-1_D.2d_dxf.zip](#)

English

Customer View Model

[ENG_CVM_CVM_2271180-1_D.3d_igs.zip](#)

English

Customer View Model

[ENG_CVM_CVM_2271180-1_D.3d_stp.zip](#)

English

By downloading the CAD file I accept and agree to the [Terms and Conditions](#) of use.

Datasheets & Catalog Pages



LIGHT-N-LOK Standard Connectors

English

LIGHT-N-LOK Brochure

English

Product Specifications

Application Specification

English

Instruction Sheets

Instruction Sheet (U.S.)

English

Agency Approvals

UL Report

English