



Fiber Optics > Fiber Optic Connectors > Backplane Fiber Optics



Fiber Optic Connector Type: **VITA 66.4**

Fiber Optic Product Type: **Motherboard Kit**

### Features

#### Product Type Features

Fiber Optic Connector Type	VITA 66.4
Fiber Optic Product Type	Motherboard Kit

#### Configuration Features

Number of MT Ferrule Cavities	1
-------------------------------	---

#### Body Features

Primary Product Material	Aluminum
--------------------------	----------

#### Usage Conditions

Operating Temperature Range	-40 – 85 °C
-----------------------------	-------------

### Product Compliance

[For compliance documentation, visit the product page on TE.com>](#)

EU RoHS Directive 2011/65/EU	Compliant
EU ELV Directive 2000/53/EC	Compliant
China RoHS 2 Directive MIIT Order No 32, 2016	No Restricted Materials Above Threshold
EU REACH Regulation (EC) No. 1907/2006	Current ECHA Candidate List: JAN 2025 (247) Candidate List Declared Against: JAN 2025 (247) SVHC > Threshold: Dodecamethylcyclohexasiloxane (D6) (.5% in Component Part) Decamethylcyclopentasiloxane (D5) (.5% in Component Part) Octamethylcyclotetrasiloxane (D4) (.5% in Component Part) <small>Article Safe Usage Statements:</small>



Wash thoroughly after handling. Recycle if possible and dispose of the article by following all applicable governmental regulations relevant to your geographic location.

Halogen Content

Low Halogen - Br, Cl, F, I < 900 ppm per homogenous material. Also BFR/CFR/PVC Free

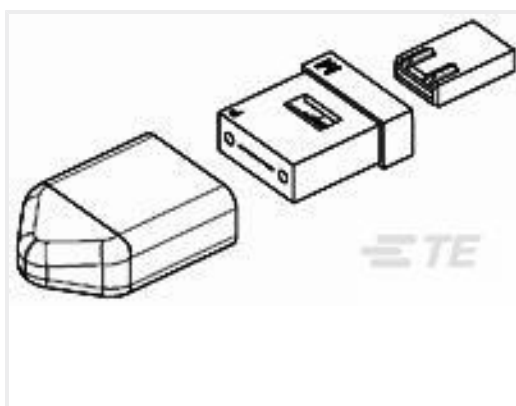
Solder Process Capability

Wave solder capable to 265°C

Product Compliance Disclaimer

This information is provided based on reasonable inquiry of our suppliers and represents our current actual knowledge based on the information they provided. This information is subject to change. The part numbers that TE has identified as EU RoHS compliant have a maximum concentration of 0.1% by weight in homogenous materials for lead, hexavalent chromium, mercury, PBB, PBDE, DBP, BBP, DEHP, DIBP, and 0.01% for cadmium, or qualify for an exemption to these limits as defined in the Annexes of Directive 2011/65/EU (RoHS2). Finished electrical and electronic equipment products will be CE marked as required by Directive 2011/65/EU. Components may not be CE marked. Additionally, the part numbers that TE has identified as EU ELV compliant have a maximum concentration of 0.1% by weight in homogenous materials for lead, hexavalent chromium, and mercury, and 0.01% for cadmium, or qualify for an exemption to these limits as defined in the Annexes of Directive 2000/53/EC (ELV). Regarding the REACH Regulation, the information TE provides on SVHC in articles for this part number is based on the latest European Chemicals Agency (ECHA) 'Guidance on requirements for substances in articles' posted at this URL: <https://echa.europa.eu/guidance-documents/guidance-on-reach>

### Compatible Parts



TE Part # 2102866-1  
MT Ferrule Kit, No Spring/Pins/Holder, MM



TE Part # 2226881-1  
CONNECTOR KIT, PLUG-IN MODULE, MT,V66.4



TE Part # 2313212-1  
MT FERRULE KIT, RCPT, MM, 12F, LOW-LOSS

### Customers Also Bought



TE Part #2102737-2  
Assy, Vert Rectpt, R End, MG, Rug Cntct



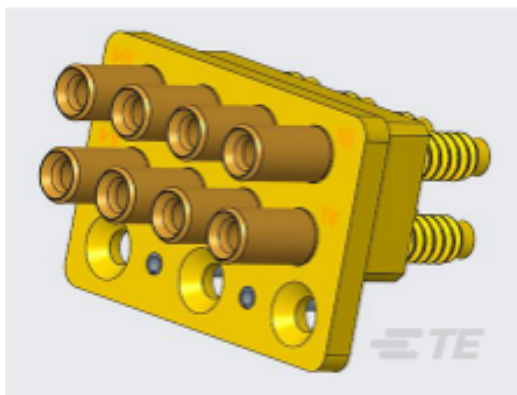
TE Part #1410956-1  
MULTIGIG RT GUIDE PIN KIT ASSEMBLY



TE Part #225682-E  
POWELM BUCHSE VOLLM M4 4 2,54 \* EP 7 CUS



TE Part #2178415-1  
MJ,RJ45,SMT,SHLD



TE Part #1996777-1  
8 POS VITA 67 RF MODULE,  
BACKPLANE, OSMM



TE Part #1996706-1  
8 POS VITA 67.2 RF MODULE,  
BACKPLANE, SMPM



TE Part #1410975-3  
MULTIGIG RT2 7RW DC RTM CT



TE Part #2102157-1  
Fortis Zd 3Pr 10Col Vert Full Shrd Assy



TE Part #1410142-1  
MULTIGIG RT T2 .8" BP FULL RGH



TE Part #434555-E  
FRAEZT 11,6 TE \* 172 \* J 1 434555  
FUEHRU

## Documents

### Product Drawings

[CONNECTOR KIT, RCPT, BACKPLANE, MT,V66.4](#)

English

### CAD Files

[3D PDF](#)

3D

Customer View Model

[ENG\\_CVM\\_CVM\\_2226880-1\\_A.2d\\_dxf.zip](#)

English

Customer View Model

[ENG\\_CVM\\_CVM\\_2226880-1\\_A.3d\\_igs.zip](#)

English

Customer View Model

[ENG\\_CVM\\_CVM\\_2226880-1\\_A.3d\\_stp.zip](#)

English

By downloading the CAD file I accept and agree to the [Terms and Conditions](#) of use.

### Datasheets & Catalog Pages

[SOSA Aligned Interconnect Solutions](#)

English

### Product Specifications

[Application Specification](#)

English