

215875-1 ✓ ACTIVE

Alcoswitch SE

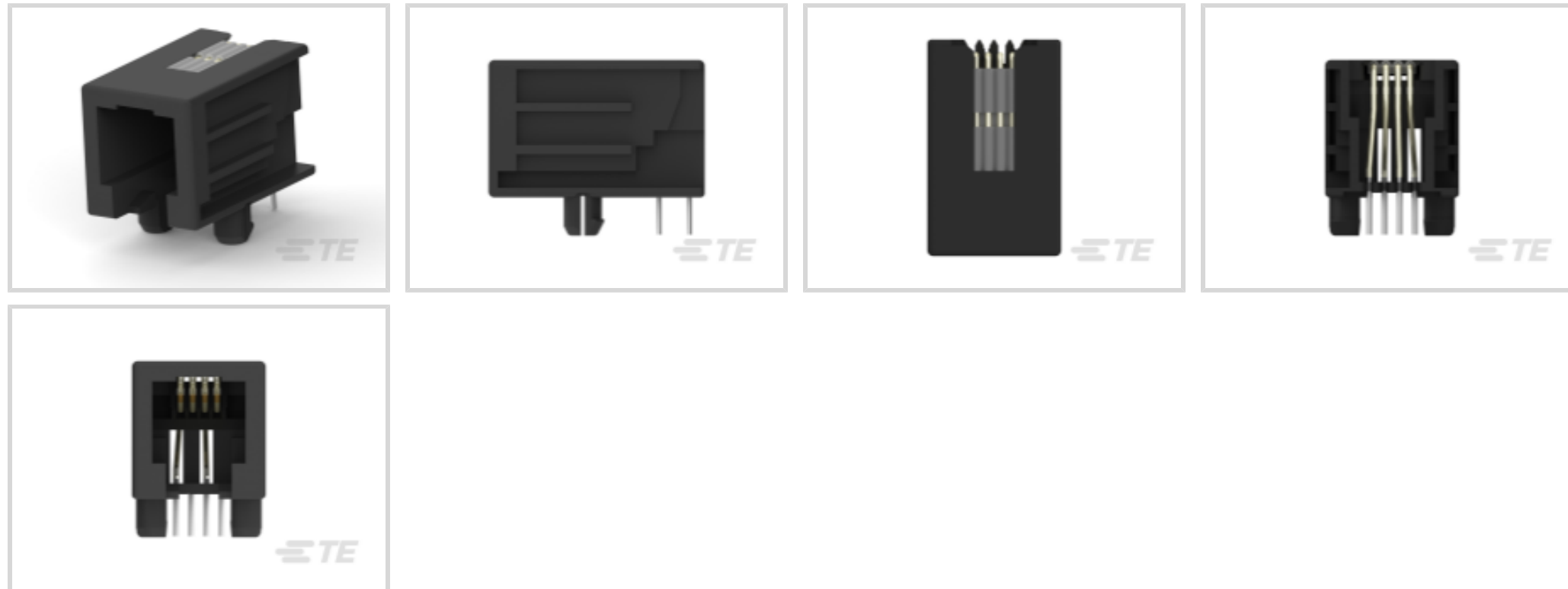
TE Internal #: 215875-1

Low Profile, RJ Type Jacks & Plugs, Jack, Right Angle, Cat 3,
Through Hole - Solder, Side Entry, Gold (Au), PBT GF, Alcoswitch
SE, RJ22 Connectors

[View on TE.com >](#)



Connectors > Modular Jacks & Plugs > RJ22 Connectors



Connector Profile: **Low**

Modular Jacks & Plugs Products: **RJ Type Jacks & Plugs**

Connector Contact Density: **Standard**

Modular Connector Style: **Jack**

PCB Mount Orientation: **Right Angle**

Features

Product Type Features

| | |
|-----------------------------------|-----------------------|
| Connector & Contact Terminates To | Printed Circuit Board |
| Connector System | Cable-to-Board |
| Modular Jacks & Plugs Products | RJ Type Jacks & Plugs |
| Modular Connector Style | Jack |

Configuration Features

| | |
|----------------------------|-------------|
| Number of Positions | 4 |
| Port Matrix Configuration | 1 x 1 |
| Port Configuration | Single Port |
| Connector Contact Density | Standard |
| PCB Mount Orientation | Right Angle |
| Number of Loaded Positions | 4 |

Body Features

| | |
|--------------------------------|-----------------------|
| Modular Jack Latch Orientation | Standard - Latch Down |
| Connector Profile | Low |



Contact Features

| | |
|---|-----------------|
| Contact Underplating Material | Nickel |
| Contact Base Material | Phosphor Bronze |
| Contact Mating Area Plating Material | Gold (Au) |
| Contact Current Rating (Max) | 1.5 A |
| PCB Contact Termination Area Plating Material | Tin |

Termination Features

| | |
|---------------------------|-----------------------|
| Termination Method to PCB | Through Hole - Solder |
|---------------------------|-----------------------|

Mechanical Attachment

| | |
|-------------------------|-------------|
| Connector Mounting Type | Board Mount |
| Panel Mount Feature | Without |

Housing Features

| | |
|-----------------------|-----------------|
| Housing Color | Black |
| Centerline (Pitch) | 1.02 mm[.04 in] |
| Mating Entry Location | Side |
| Housing Material | PBT GF |

Dimensions

| | |
|-----------------------------|------------------|
| PCB Thickness (Recommended) | 1.6 mm[.063 in] |
| Connector Height | 11.5 mm[.453 in] |

Usage Conditions

| | |
|-----------------------------|---------------------------|
| Operating Temperature Range | -40 – 70 °C[-40 – 158 °F] |
|-----------------------------|---------------------------|

Operation/Application

| | |
|---------------------|--------|
| Circuit Application | Signal |
| Shielded | No |

Industry Standards

| | |
|------------------------|----------|
| Performance Category | Cat 3 |
| UL Flammability Rating | UL 94V-0 |

Packaging Features

| | |
|--------------------|------|
| Packaging Method | Reel |
| Packaging Quantity | 2000 |

Product Compliance

[For compliance documentation, visit the product page on TE.com>](#)

| | |
|---|---|
| EU RoHS Directive 2011/65/EU | Compliant |
| EU ELV Directive 2000/53/EC | Compliant |
| China RoHS 2 Directive MIIT Order No 32, 2016 | No Restricted Materials Above Threshold |
| EU REACH Regulation (EC) No. 1907/2006 | Current ECHA Candidate List: JAN 2025 (247) Candidate List Declared Against: JAN 2025 (247) Does not contain REACH SVHC |
| Halogen Content | Not Low Halogen - contains Br or Cl > 900 ppm. |
| Solder Process Capability | Wave solder capable to 265°C |

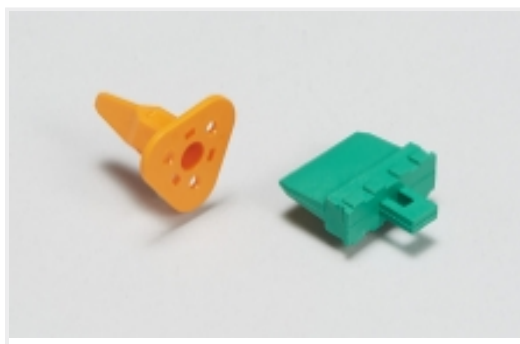
Product Compliance Disclaimer

This information is provided based on reasonable inquiry of our suppliers and represents our current actual knowledge based on the information they provided. This information is subject to change. The part numbers that TE has identified as EU RoHS compliant have a maximum concentration of 0.1% by weight in homogenous materials for lead, hexavalent chromium, mercury, PBB, PBDE, DBP, BBP, DEHP, DIBP, and 0.01% for cadmium, or qualify for an exemption to these limits as defined in the Annexes of Directive 2011/65/EU (RoHS2). Finished electrical and electronic equipment products will be CE marked as required by Directive 2011/65/EU. Components may not be CE marked. Additionally, the part numbers that TE has identified as EU ELV compliant have a maximum concentration of 0.1% by weight in homogenous materials for lead, hexavalent chromium, and mercury, and 0.01% for cadmium, or qualify for an exemption to these limits as defined in the Annexes of Directive 2000/53/EC (ELV). Regarding the REACH Regulation, the information TE provides on SVHC in articles for this part number is based on the latest European Chemicals Agency (ECHA) 'Guidance on requirements for substances in articles' posted at this URL: <https://echa.europa.eu/guidance-documents/guidance-on-reach>

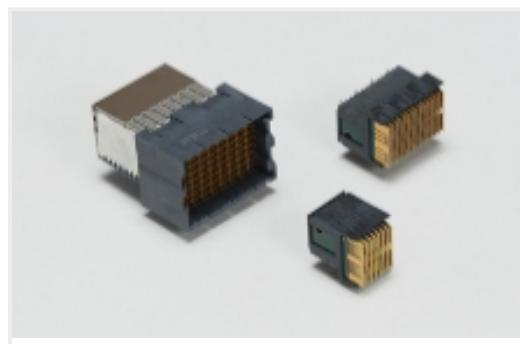
Compatible Parts



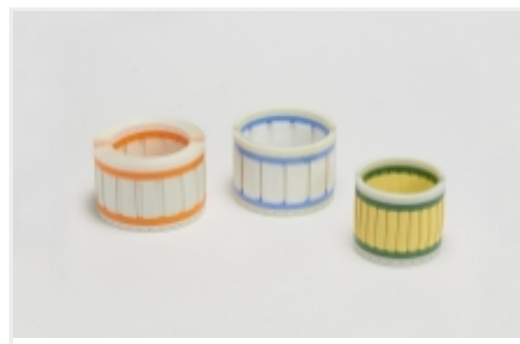
Also in the Series | [Alcoswitch SE](#)



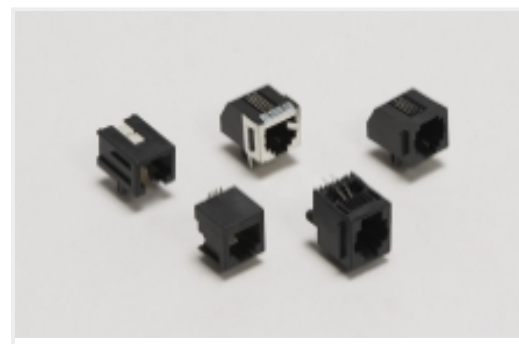
Automotive Connector Locks & Position Assurance(1)



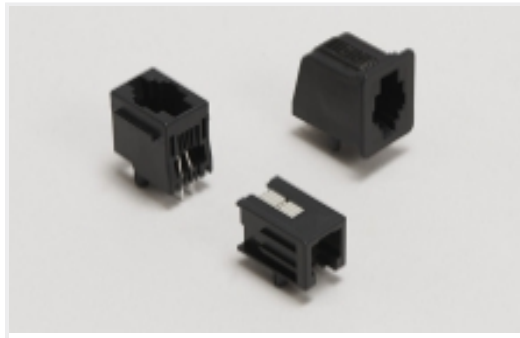
High Speed Backplane Connectors(1)



Printable Tubing(3)



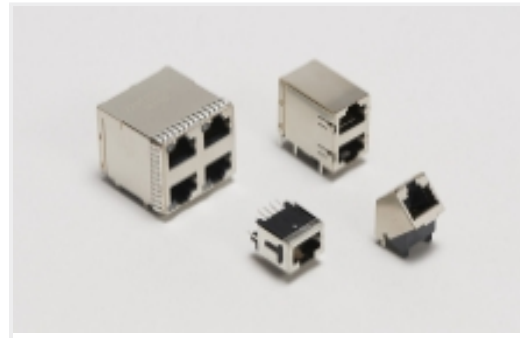
RJ14 Connectors(3)



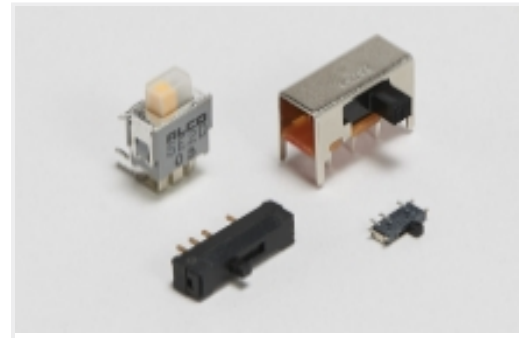
RJ22 Connectors(3)



RJ25 Connectors(5)



RJ45 Connectors(8)

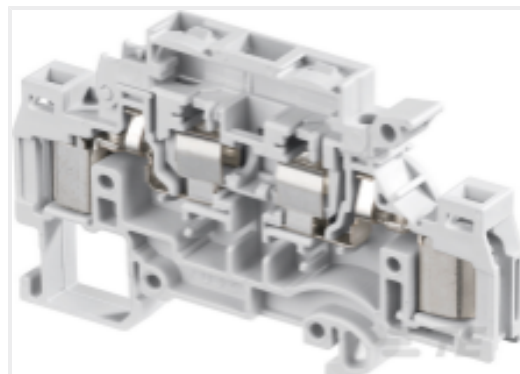


Slide Switches(5)

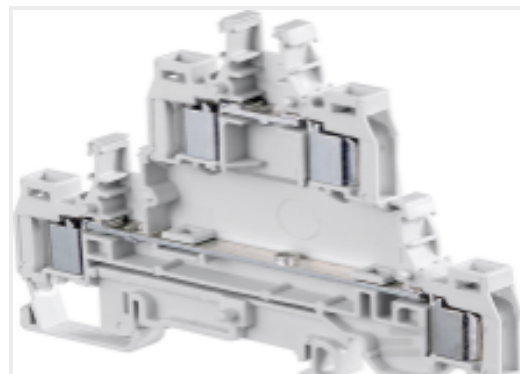
Customers Also Bought



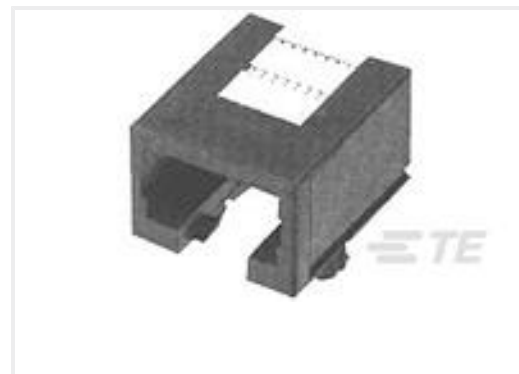
TE Part #1614883-3
CPF0805 1M0 0.1% 25PPM 5K RL



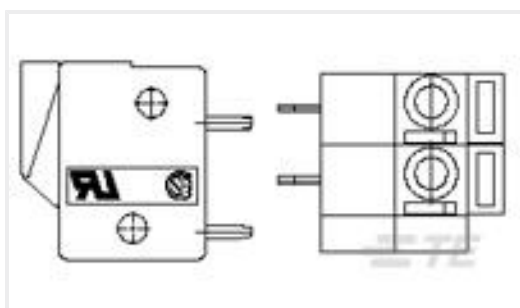
TE Part #1SNA199208R1100
D1.5/8.SFT.ADO



TE Part #1SNA199480R2600
D1.5/6.D2.ADO



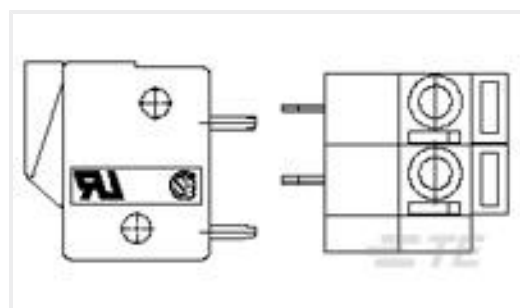
TE Part #215877-1
8/8 PCB MOD.JACK SE



TE Part #1776261-4
4P Spring TB, 90deg, VT,5mm, Green



TE Part #9-1625971-4
HSA25 6K8 5%



TE Part #1776261-2
2P Spring TB, 90deg, VT,5mm, Green



TE Part #2-1416010-4
RE034006



TE Part #BAT-HLD-001-THM
Battery Holder 2032 2025 THM Bulk Pack



TE Part #5-1462037-5
IM41JR=IM RELAY 100mW 3V BIS Pack

Documents



CAD Files

Customer View Model

[ENG_CVM_CVM_215875-1_N.2d_dxf.zip](#)

English

3D PDF

3D

Customer View Model

[ENG_CVM_CVM_215875-1_N.3d_igs.zip](#)

English

Customer View Model

[ENG_CVM_CVM_215875-1_N.3d_stp.zip](#)

English

By downloading the CAD file I accept and agree to the [Terms and Conditions](#) of use.

Datasheets & Catalog Pages

[82066 - Modular Jacks and MRJ21 Product catalog - Single Port Modular Jacks section](#)

English

[1-1773464-9_MODULAR_JACKS_SINGLE_PORT_PCB_MOUNT](#)

English

Product Specifications

[side entry, top entry and bottom entry modular jacks](#)

English

Application Specification

English

Agency Approvals

[CSA Certificate](#)

English