

213811-1 ✓ ACTIVE

AMP | AMP Circular Plastic Connectors

TE Internal #: 213811-1

Coupling Ring, Black, Nylon, AMP Circular Plastic Connectors

[View on TE.com >](#)



Connectors > Connector Accessories > Connector Hardware



Connector Hardware Accessory Type: **Coupling Ring**

Primary Product Color: **Black**

Primary Product Material: **Nylon**

Hardware Accessory Function: **Latching, Locking & Retention**

Features

Product Type Features

Connector Hardware Accessory Type	Coupling Ring
Hardware Accessory Function	Latching, Locking & Retention

Body Features

Primary Product Color	Black
Primary Product Material	Nylon

Operation/Application

Compatible With Connector Shell Size	11
--------------------------------------	----

Packaging Features

Packaging Quantity	1
--------------------	---

Product Compliance

[For compliance documentation, visit the product page on TE.com>](#)

EU RoHS Directive 2011/65/EU	Compliant
EU ELV Directive 2000/53/EC	Compliant
China RoHS 2 Directive MIIT Order No 32, 2016	No Restricted Materials Above Threshold
EU REACH Regulation (EC) No. 1907/2006	

Current ECHA Candidate List: JAN 2025
(247)

Candidate List Declared Against: JAN 2025
(247)

Does not contain REACH SVHC

Halogen Content

BFR/CFR/PVC Free, but Br/Cl >900 ppm in other sources.

Solder Process Capability

Not applicable for solder process capability

Product Compliance Disclaimer

This information is provided based on reasonable inquiry of our suppliers and represents our current actual knowledge based on the information they provided. This information is subject to change. The part numbers that TE has identified as EU RoHS compliant have a maximum concentration of 0.1% by weight in homogenous materials for lead, hexavalent chromium, mercury, PBB, PBDE, DBP, BBP, DEHP, DIBP, and 0.01% for cadmium, or qualify for an exemption to these limits as defined in the Annexes of Directive 2011/65/EU (RoHS2). Finished electrical and electronic equipment products will be CE marked as required by Directive 2011/65/EU. Components may not be CE marked. Additionally, the part numbers that TE has identified as EU ELV compliant have a maximum concentration of 0.1% by weight in homogenous materials for lead, hexavalent chromium, and mercury, and 0.01% for cadmium, or qualify for an exemption to these limits as defined in the Annexes of Directive 2000/53/EC (ELV). Regarding the REACH Regulation, the information TE provides on SVHC in articles for this part number is based on the latest European Chemicals Agency (ECHA) 'Guidance on requirements for substances in articles' posted at this URL: <https://echa.europa.eu/guidance-documents/guidance-on-reach>

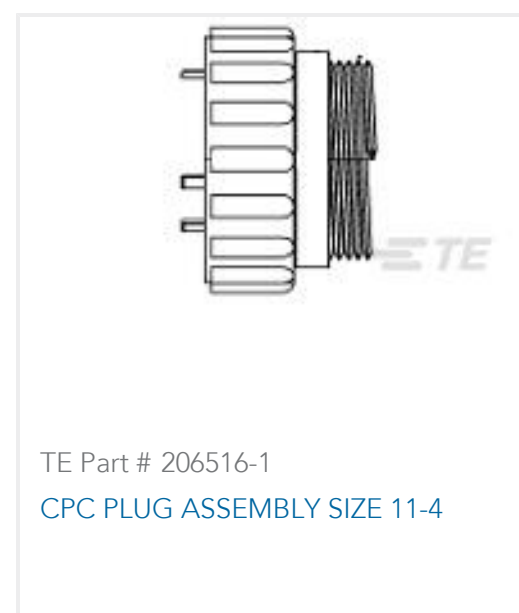
Compatible Parts



TE Part # 1977878-1
SLD CPC PLUG ASY, 11-4, STD SEX, UV RESIST



TE Part # 205841-3
CPC RECPT ASSEMBLY SIZE 11-8



TE Part # 206516-1
CPC PLUG ASSEMBLY SIZE 11-4



TE Part # 205838-1
CPC PLUG ASSEMBLY SIZE 11-8



TE Part # 206433-3
CPC RECPT ASSEMBLY SIZE 11-8



TE Part # 206485-1
CPC PLUG ASSEMBLY SIZE 11-9



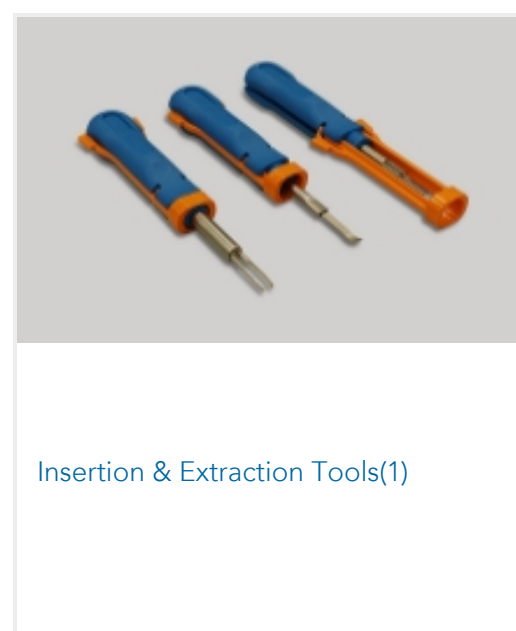
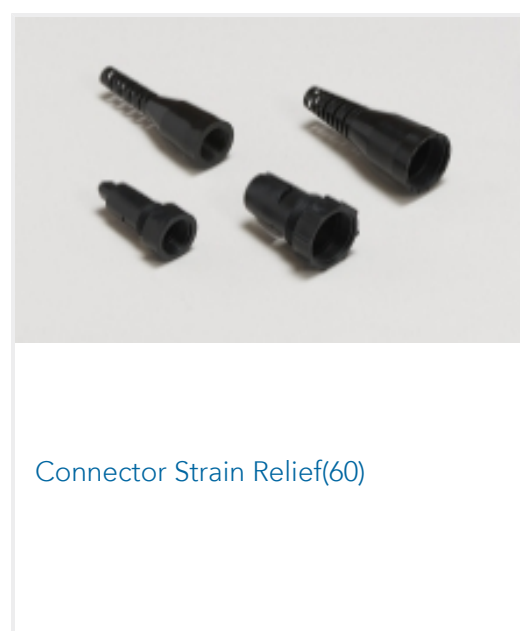
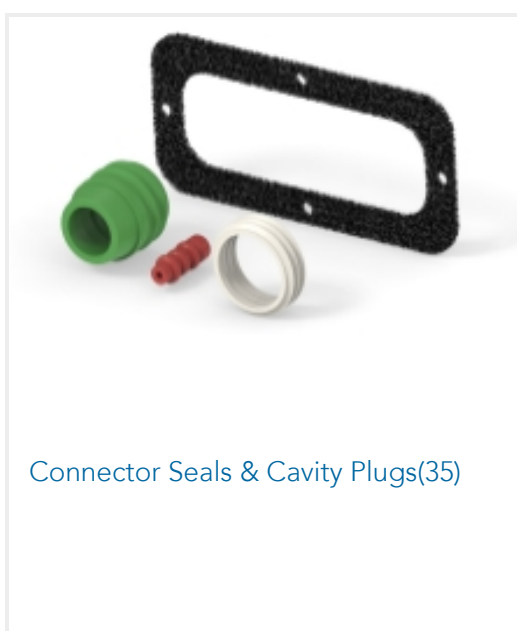
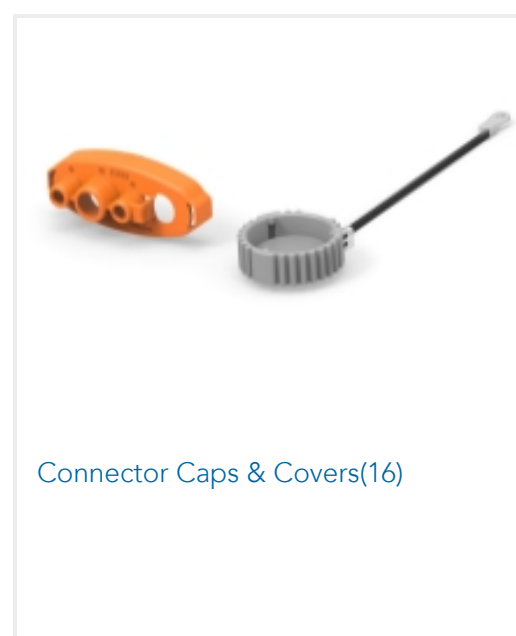
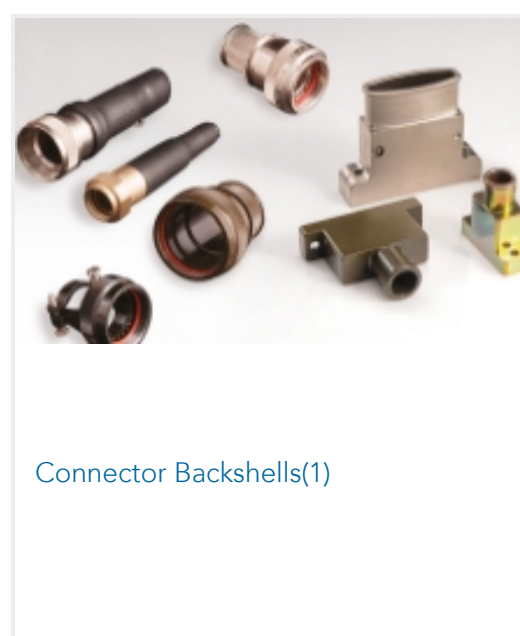
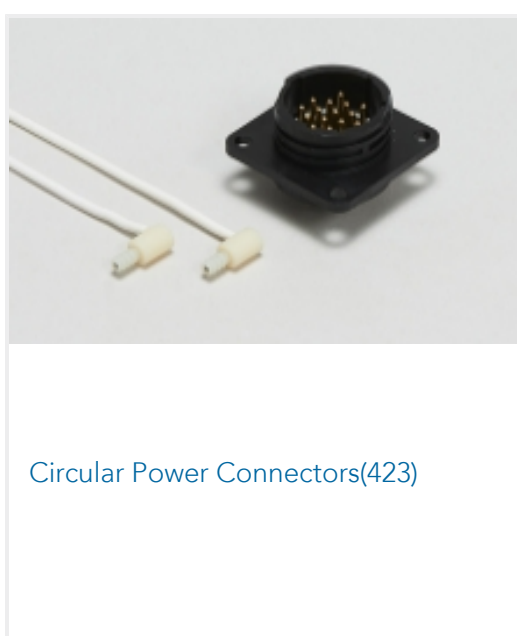
TE Part # 206429-1
CPC PLUG ASSY, 11-4, REV SEX



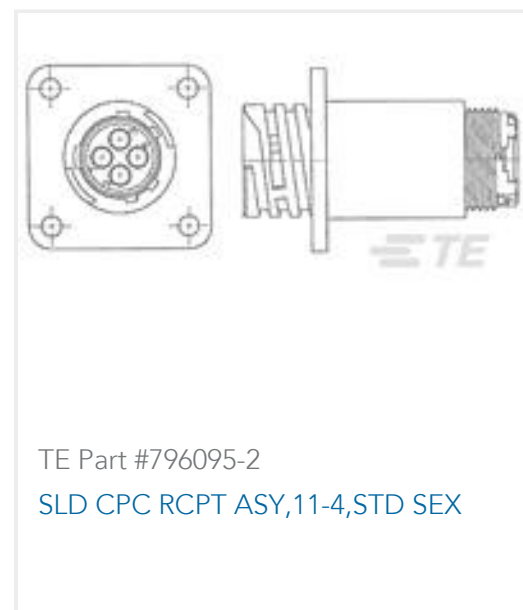
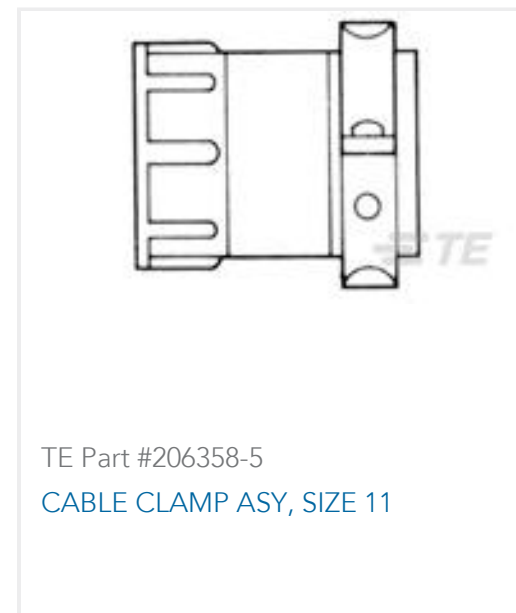
TE Part # 206430-1
RECPT, SZ 11-4, CPC



Also in the Series | **AMP Circular Plastic Connectors**



Customers Also Bought



Documents

Product Drawings

[COUPLING RING,SZ 11,CPC](#)

English

CAD Files

[3D PDF](#)

English

Customer View Model

[ENG_CVM_213811-1_B.2d_dxf.zip](#)

English

Customer View Model

[ENG_CVM_213811-1_B.3d_igs.zip](#)

English

Customer View Model

[ENG_CVM_213811-1_B.3d_stp.zip](#)

English

[3D PDF](#)

3D



Customer View Model

[ENG_CVM_CVM_213811-1_S.2d_dxf.zip](#)

English

Customer View Model

[ENG_CVM_CVM_213811-1_S.3d_igs.zip](#)

English

Customer View Model

[ENG_CVM_CVM_213811-1_S.3d_stp.zip](#)

English

By downloading the CAD file I accept and agree to the [Terms and Conditions](#) of use.

Datasheets & Catalog Pages

[AMP Circular Connectors for Commercial Signal & Power Applications](#)

English

Product Specifications

[Application Specification](#)

English

Instruction Sheets

[Instruction Sheet \(U.S.\)](#)

English