



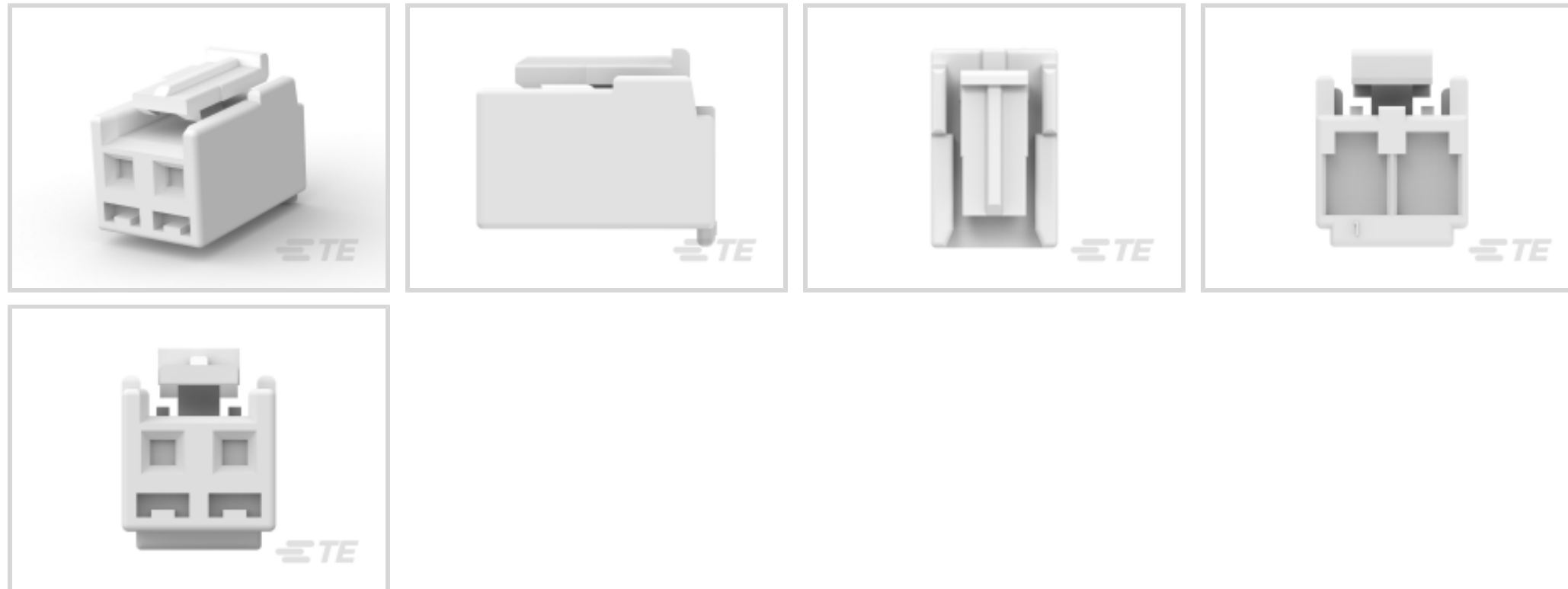
Economy Power II

TE Internal #: 2132813-2

Housing, Receptacle, Crimp, Wire-to-Board, UL 94V-0, 2 Position, Economy Power II, Rectangular Wire & Cable Connectors & Housings

[View on TE.com >](#)

Connectors > Rectangular Connectors > Standard Rectangular Connectors



Connector Product Type: **Housing**

Connector & Housing Type: **Receptacle**

Mating Alignment: **With**

Mating Retention: **With**

Mating Retention Type: **Latch, Locking Latch**

**Features**

**Product Type Features**

Connector Product Type	Housing
Connector & Housing Type	Receptacle
Connector System	Wire-to-Board
Sealable	No
Connector & Contact Terminates To	Wire & Cable

**Configuration Features**

Number of Positions	2
Number of Rows	1

**Electrical Characteristics**

Operating Voltage	600 VAC
-------------------	---------

**Body Features**

Primary Product Color	Natural
-----------------------	---------

**Contact Features**

--	--



Contact Layout	Inline
Contact Base Material	Phosphor Bronze
Contact Type	Receptacle
Contact Retention Within Housing	Without

#### Termination Features

Termination Method to Wire & Cable	Crimp
------------------------------------	-------

#### Mechanical Attachment

Strain Relief	Without
Panel Mount Feature	Without
Mating Alignment	With
Mating Retention	With
Mating Retention Type	Latch, Locking Latch
Connector Mounting Type	Cable Mount (Free-Hanging)

#### Housing Features

Housing Material	Nylon
Centerline (Pitch)	3.96 mm[.156 in]

#### Dimensions

Compatible Insulation Diameter Range	1.7 – 3 mm[.067 – .118 in]
Connector Width	13.3 mm[.524 in]
Connector Height	11 mm[.433 in]
Connector Length	13.3 mm[.523 in]

#### Usage Conditions

Operating Temperature Range	-55 – 105 °C[-67 – 221 °F]
-----------------------------	----------------------------

#### Operation/Application

Circuit Application	Power & Signal
---------------------	----------------

#### Industry Standards

Glow Wire Rating	Standard Part - Not Glow Wire
UL Flammability Rating	UL 94V-0

#### Packaging Features

Packaging Quantity	1000
Packaging Method	Bag

## Product Compliance

For compliance documentation, visit the product page on [TE.com](#)>

EU RoHS Directive 2011/65/EU	Compliant
EU ELV Directive 2000/53/EC	Compliant
China RoHS 2 Directive MIIT Order No 32, 2016	No Restricted Materials Above Threshold
EU REACH Regulation (EC) No. 1907/2006	Current ECHA Candidate List: JAN 2025 (247) Candidate List Declared Against: JAN 2025 (247) Does not contain REACH SVHC
Halogen Content	Low Halogen - Br, Cl, F, I < 900 ppm per homogenous material. Also BFR/CFR/PVC Free
Solder Process Capability	Not applicable for solder process capability

### Product Compliance Disclaimer

This information is provided based on reasonable inquiry of our suppliers and represents our current actual knowledge based on the information they provided. This information is subject to change. The part numbers that TE has identified as EU RoHS compliant have a maximum concentration of 0.1% by weight in homogenous materials for lead, hexavalent chromium, mercury, PBB, PBDE, DBP, BBP, DEHP, DIBP, and 0.01% for cadmium, or qualify for an exemption to these limits as defined in the Annexes of Directive 2011/65/EU (RoHS2). Finished electrical and electronic equipment products will be CE marked as required by Directive 2011/65/EU. Components may not be CE marked. Additionally, the part numbers that TE has identified as EU ELV compliant have a maximum concentration of 0.1% by weight in homogenous materials for lead, hexavalent chromium, and mercury, and 0.01% for cadmium, or qualify for an exemption to these limits as defined in the Annexes of Directive 2000/53/EC (ELV). Regarding the REACH Regulation, the information TE provides on SVHC in articles for this part number is based on the latest European Chemicals Agency (ECHA) 'Guidance on requirements for substances in articles' posted at this URL: <https://echa.europa.eu/guidance-documents/guidance-on-reach>

## Compatible Parts



TE Part # 1877285-2  
02P EP SHRD HDR ASMY, WHITE



TE Part # 1744057-2  
3.96 EP HDR ASSY 2P W/PEGS



TE Part # 1744544-2  
EP II TPA 02P, BLACK



TE Part # 7-1123722-2  
3.96 EP PLUG HSG 2P(NATURAL)



TE Part # 1744427-2  
EP Header Assy, Shrouded, 2 Pos, GW

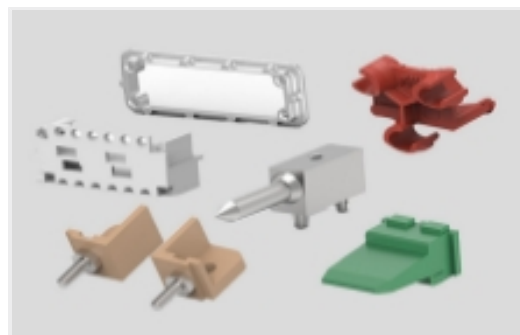


TE Part # 1744428-2  
3.96 EP HDR ASSY 2P R/A, GW

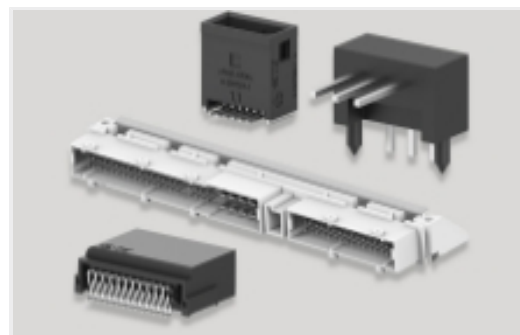
## Also in the Series | Economy Power II



Connector Contacts(3)



Connector Hardware(10)



PCB Headers & Receptacles(2)



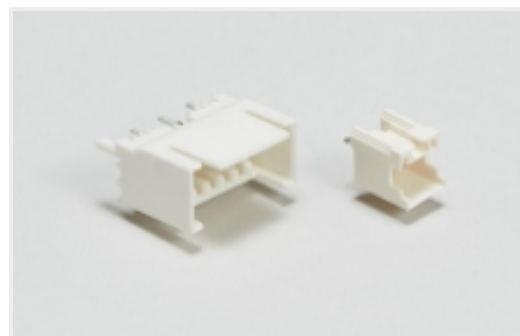
Power Contacts(3)



Rectangular Connector Housings(22)

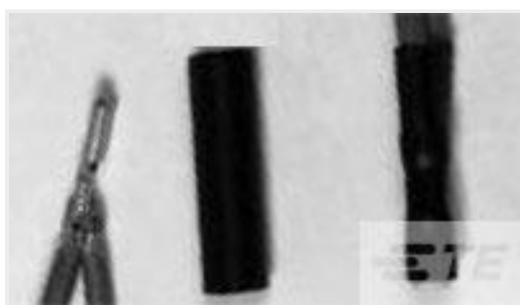


Rectangular Power Connectors(24)



Wire-to-Board Headers & Receptacles (2)

## Customers Also Bought



TE Part #520206P036  
RT-3-NO.1-0-1IN



TE Part #172059-3  
DRAWER CONN 16P MALE



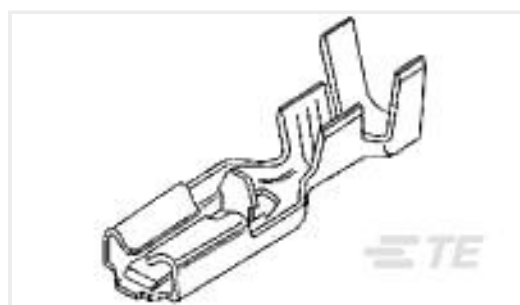
TE Part #CAT-104CST-RCPHS  
Receptacle Housing: 2.54mm, 1 Row, CST-100 II



TE Part #1744036-5  
05P ECONOMY POWER .200 CL HSG



TE Part #1-1744036-0  
10P ECONOMY POWER .200 CL HSG



TE Part #1742354-1  
PL 250 REC 16-18AWG PTBR



TE Part #1744544-4  
EP II TPA 04P, BLACK



TE Part #5172068-3  
DRAWER CONN FEMALE ASSY16P



## Documents

### Product Drawings

[2 pos. EP II housing w/rtnr](#)

English

### CAD Files

Customer View Model

[ENG\\_CVM\\_CVM\\_2132813-2\\_B.2d\\_dxf.zip](#)

English

[3D PDF](#)

3D

Customer View Model

[ENG\\_CVM\\_CVM\\_2132813-2\\_B.3d\\_igs.zip](#)

English

Customer View Model

[ENG\\_CVM\\_CVM\\_2132813-2\\_B.3d\\_stp.zip](#)

English

By downloading the CAD file I accept and agree to the [Terms and Conditions](#) of use.

### Datasheets & Catalog Pages

[1-1773885-9 Economy Power Connectors](#)

English

[7-1773458-5\\_ECONOMY\\_POWER\\_QRG](#)

English

[7-1773461-5\\_EPII\\_CONNECTOR\\_TPA\\_DEVICE](#)

English

### Product Specifications

[Application Specification](#)

English