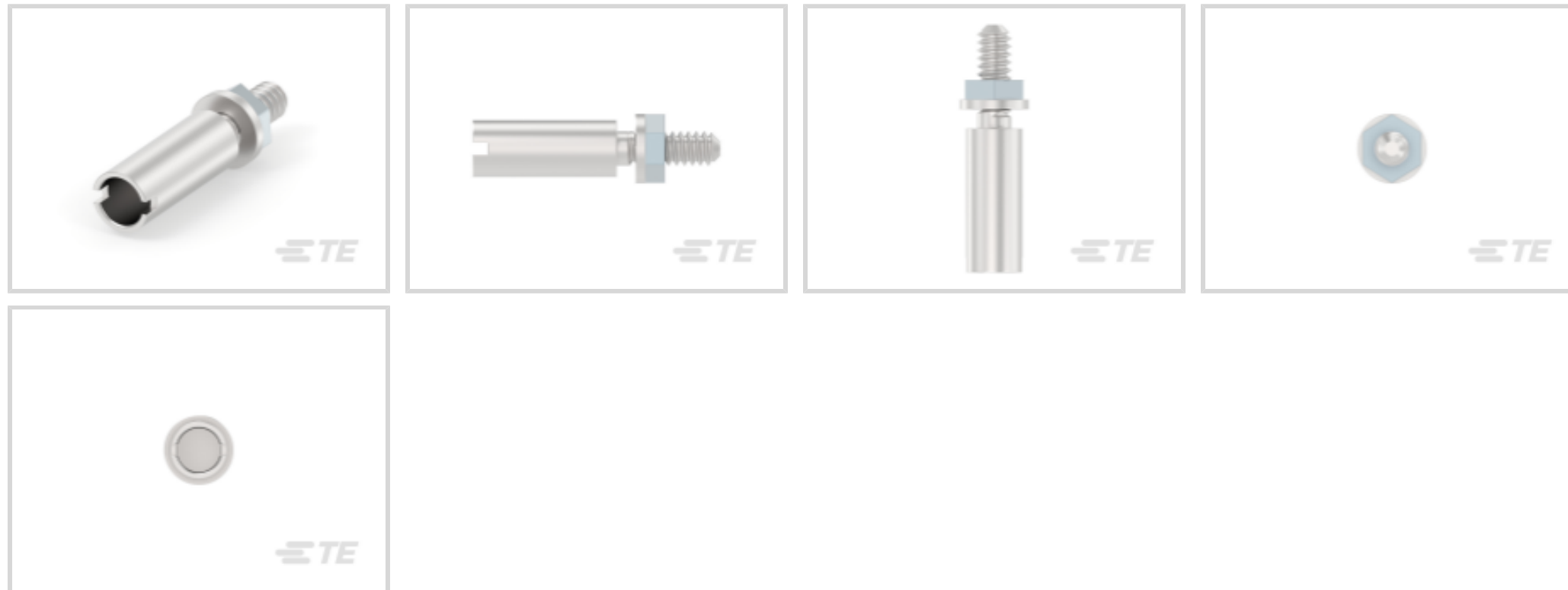




Connectors > Connector Accessories > Connector Hardware



Connector Hardware Accessory Type: **Guide Socket Kit**

Primary Product Color: **Natural**

Primary Product Material: **Stainless Steel**

Operating Temperature (Max): **150 °C [302 °F]**

Operating Temperature Range: **-55 – 150 °C [-67 – 302 °F]**

Features

Product Type Features

Connector Hardware Accessory Type	Guide Socket Kit
Hardware Accessory Function	Guide Hardware

Body Features

Primary Product Color	Natural
Primary Product Material	Stainless Steel

Mechanical Attachment

Hardware Type Included	Nuts and Lockwashers
Thread Size	4-40

Dimensions

Product Width	5.72 mm [.225 in]
Product Length	19.81 mm [.78 in]
Product Height	5.72 mm [.225 in]

Usage Conditions

Operating Temperature (Max)	150 °C [302 °F]
Operating Temperature Range	-55 – 150 °C [-67 – 302 °F]



Packaging Features

Packaging Method	Bag
Packaging Quantity	100

Product Compliance

[For compliance documentation, visit the product page on TE.com>](#)

EU RoHS Directive 2011/65/EU	Compliant
EU ELV Directive 2000/53/EC	Compliant
China RoHS 2 Directive MIIT Order No 32, 2016	No Restricted Materials Above Threshold
EU REACH Regulation (EC) No. 1907/2006	Current ECHA Candidate List: JAN 2025 (247) Candidate List Declared Against: JAN 2025 (247) Does not contain REACH SVHC
Halogen Content	Low Halogen - Br, Cl, F, I < 900 ppm per homogenous material. Also BFR/CFR/PVC Free
Solder Process Capability	Not applicable for solder process capability

Product Compliance Disclaimer

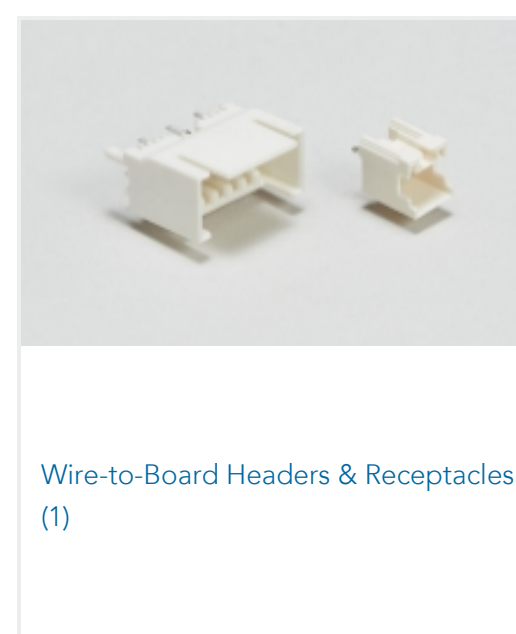
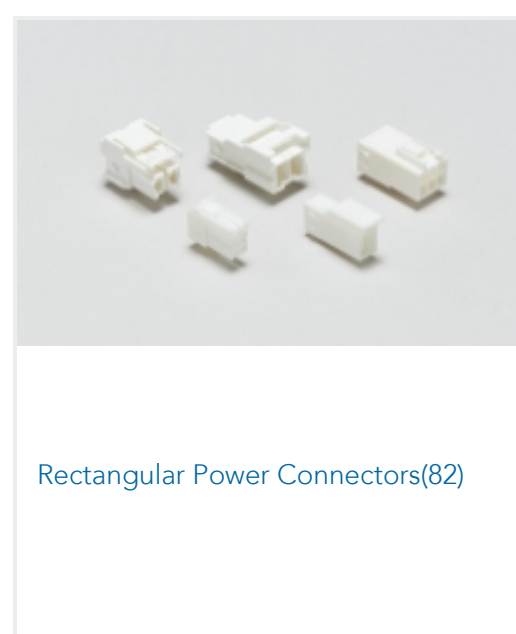
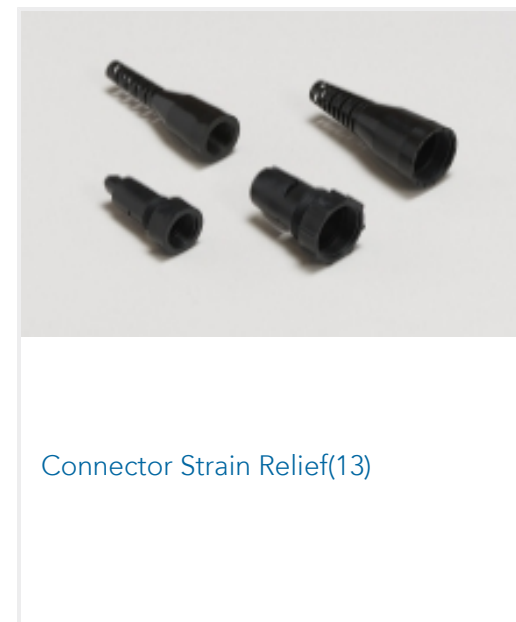
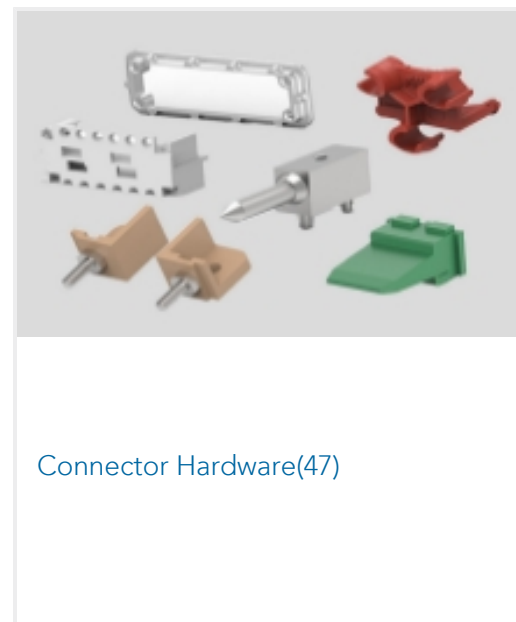
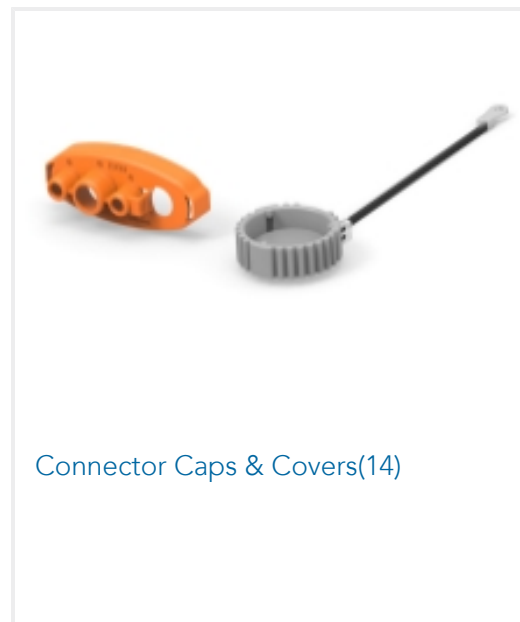
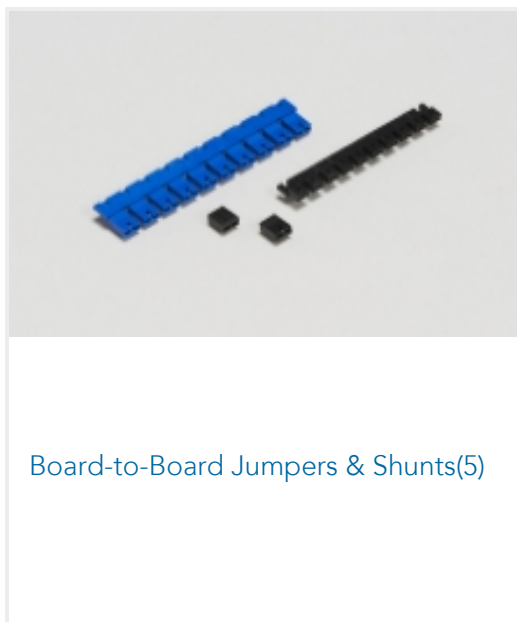
This information is provided based on reasonable inquiry of our suppliers and represents our current actual knowledge based on the information they provided. This information is subject to change. The part numbers that TE has identified as EU RoHS compliant have a maximum concentration of 0.1% by weight in homogenous materials for lead, hexavalent chromium, mercury, PBB, PBDE, DBP, BBP, DEHP, DIBP, and 0.01% for cadmium, or qualify for an exemption to these limits as defined in the Annexes of Directive 2011/65/EU (RoHS2). Finished electrical and electronic equipment products will be CE marked as required by Directive 2011/65/EU. Components may not be CE marked. Additionally, the part numbers that TE has identified as EU ELV compliant have a maximum concentration of 0.1% by weight in homogenous materials for lead, hexavalent chromium, and mercury, and 0.01% for cadmium, or qualify for an exemption to these limits as defined in the Annexes of Directive 2000/53/EC (ELV). Regarding the REACH Regulation, the information TE provides on SVHC in articles for this part number is based on the latest European Chemicals Agency (ECHA) 'Guidance on requirements for substances in articles' posted at this URL: <https://echa.europa.eu/guidance-documents/guidance-on-reach>

Compatible Parts



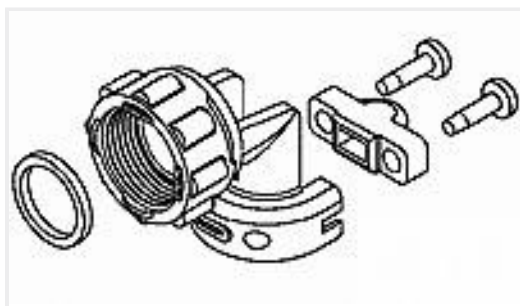


Also in the Series | AMP M Series



Customers Also Bought





TE Part #796380-2
R/A STRN RELIEF KIT,SZ 13,CPC



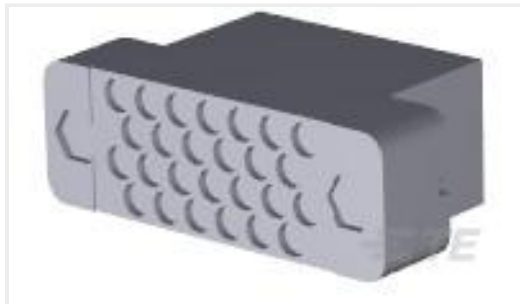
TE Part #1-2201864-2
MINI I/O REC KIT TYPE II M



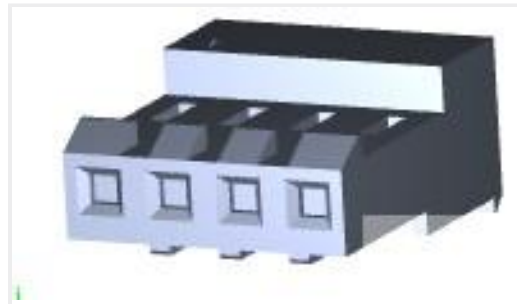
TE Part #201845-1
26 PL. STRAIN REL. CLAMP



TE Part #1-200833-1
SERIES "M" GUIDE PIN ST. STL.



TE Part #200512-2
FEMALE BLOCK 26 PL.



TE Part #3-640427-4
04P MTA156 CONN ASSY 20AWG YEL

Documents

Product Drawings

SERIES "M" GUIDE SOCKET

English

CAD Files

Customer View Model

[ENG_CVM_CVM_200390-9_Y.2d_dxf.zip](#)

English

3D PDF

3D

Customer View Model

[ENG_CVM_CVM_200390-9_Y.3d_igs.zip](#)

English

Customer View Model

[ENG_CVM_CVM_200390-9_Y.3d_stp.zip](#)

English

By downloading the CAD file I accept and agree to the [Terms and Conditions](#) of use.

Datasheets & Catalog Pages

M_SERIES_PIN_AND_SOCKET_CONNECTORS

English

Instruction Sheets

Instruction Sheet (U.S.)

English