



Neohm | Neohm RR

TE Internal #: 2-1879353-6

47K ohm, Through-Hole Power Resistor, Metal Film, 2 W, 5 %, ±300

ppm/°C, Axial-Leaded, Copper Termination, 9 x 3.5 mm, Ammo

Packed, Neohm RR

[View on TE.com >](#)

Passive Components > Resistors > Through-Hole Resistors



Resistance Value: 47K Ω

Resistor Type: Power Resistor

Element Type: Metal Film

Power Rating: 2 W

Resistance Class: 1kΩ – 1MΩ

Features

Product Type Features

Resistor Type	Power Resistor
Element Type	Metal Film

Configuration Features

Number of Resistors	1
---------------------	---

Electrical Characteristics

Operating Voltage	500 V
Resistance Value	47K Ω
Power Rating	2 W
Resistance Class	1kΩ – 1MΩ
Passive Component Tolerance	5 %

Body Features

Lead Type	Axial-Leaded
-----------	--------------

Termination Features

Termination Area Base Material	Copper
Number of Terminations	2

Dimensions

Passive Component Dimensions	9 x 3.5 mm
------------------------------	------------



Usage Conditions

Temperature Coefficient	±300 ppm/°C
-------------------------	-------------

Packaging Features

Packaging Method	Ammo Packed
------------------	-------------

Product Compliance

[For compliance documentation, visit the product page on TE.com>](#)

EU RoHS Directive 2011/65/EU	Compliant
EU ELV Directive 2000/53/EC	Compliant
China RoHS 2 Directive MIIT Order No 32, 2016	No Restricted Materials Above Threshold
EU REACH Regulation (EC) No. 1907/2006	Current ECHA Candidate List: JAN 2025 (247) Candidate List Declared Against: JAN 2024 (240) Does not contain REACH SVHC
Halogen Content	Low Halogen - Br, Cl, F, I < 900 ppm per homogenous material. Also BFR/CFR/PVC Free
Solder Process Capability	Wave solder capable to 265°C

Product Compliance Disclaimer

This information is provided based on reasonable inquiry of our suppliers and represents our current actual knowledge based on the information they provided. This information is subject to change. The part numbers that TE has identified as EU RoHS compliant have a maximum concentration of 0.1% by weight in homogenous materials for lead, hexavalent chromium, mercury, PBB, PBDE, DBP, BBP, DEHP, DIBP, and 0.01% for cadmium, or qualify for an exemption to these limits as defined in the Annexes of Directive 2011/65/EU (RoHS2). Finished electrical and electronic equipment products will be CE marked as required by Directive 2011/65/EU. Components may not be CE marked. Additionally, the part numbers that TE has identified as EU ELV compliant have a maximum concentration of 0.1% by weight in homogenous materials for lead, hexavalent chromium, and mercury, and 0.01% for cadmium, or qualify for an exemption to these limits as defined in the Annexes of Directive 2000/53/EC (ELV). Regarding the REACH Regulation, the information TE provides on SVHC in articles for this part number is based on the latest European Chemicals Agency (ECHA) 'Guidance on requirements for substances in articles' posted at this URL: <https://echa.europa.eu/guidance-documents/guidance-on-reach>

Compatible Parts



Also in the Series | Neohm RR



Through-Hole Resistors(478)

Customers Also Bought



TE Part #4-2176611-2
EP 2W (SS) 51R 5%



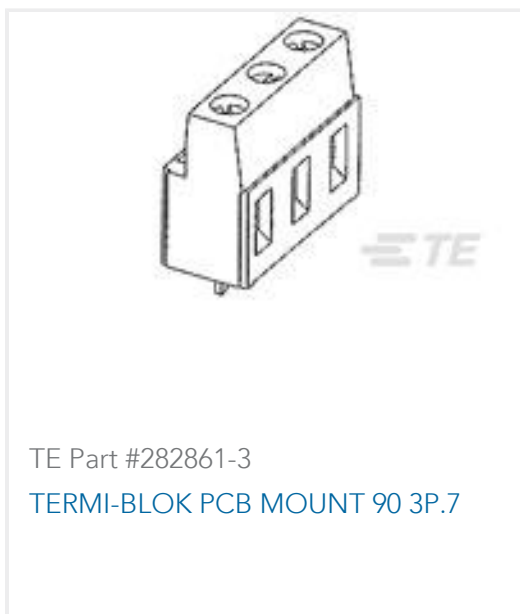
TE Part #2-1393047-5
RESOLVER V23401-S1001-B101



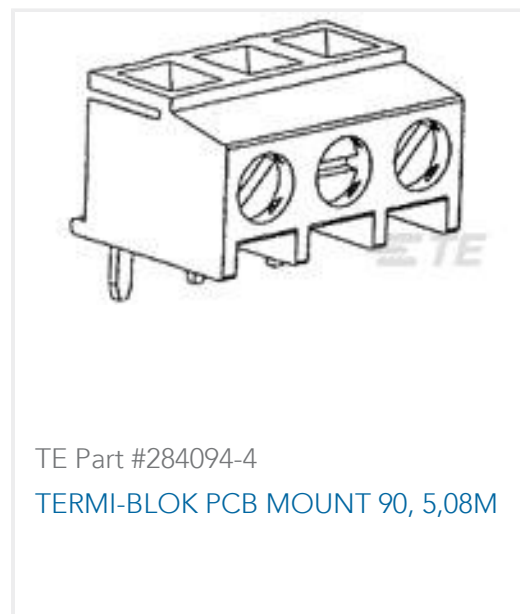
TE Part #4-1879353-2
RR02 5% 220K AMMO



TE Part #770680-1
23POS,AMPSEAL,SOC HSG ASSY,SLD,
COD 1



TE Part #282861-3
TERMI-BLOK PCB MOUNT 90 3P.7



TE Part #284094-4
TERMI-BLOK PCB MOUNT 90, 5,08M



TE Part #8-1393239-8
RT314F24



TE Part #4-1879352-5
RR02 5% 22R AMMO



TE Part #6-1879350-1
RR01 5% 68R AMMO



TE Part #3-1609989-4
55BCF6R=F8236F

Documents

[Product Drawings](#)
[RR02 5% 47K AMMO](#)

English

[CAD Files](#)
[3D PDF](#)
3D



Customer View Model

[ENG_CVM_CVM_2-1879353-6_BA.2d_dxf.zip](#)

English

Customer View Model

[ENG_CVM_CVM_2-1879353-6_BA.3d_igs.zip](#)

English

Customer View Model

[ENG_CVM_CVM_2-1879353-6_BA.3d_stp.zip](#)

English

By downloading the CAD file I accept and agree to the [Terms and Conditions](#) of use.

Datasheets & Catalog Pages

[4-1773460-6_RESISTIVE_SOLUTIONS_RAIL](#)

English

[1309350_PASSIVE_COMPONENT](#)

English

[8-1773459-4_POWER_FILTERING_AND_RESISTIVE_SOLUTIONS_FOR_ELEVATORS_AND_ESCALATORS](#)

English

[Power Resistor - Type RR Series - Tyco Electronics Passives](#)

English