

2-180916-0 ✓ ACTIVE

FASTIN-FASTON | FASTIN-FASTON 250

TE Internal #: 2-180916-0

Tab, Tab Housing, 1 Position, Straight, UL 94V-2, Natural,  
Polyamide, Cable Mount (Free-Hanging), FASTIN-FASTON 250,  
Crimp Terminal Housings

[View on TE.com >](#)



Terminals & Splices > Terminal Housings, Insulation Sleeves & Blocks > Crimp Terminal Housings



Terminal Type: **Tab**

Connector & Housing Type: **Tab Housing**

Number of Positions: **1**

Terminal Orientation: **Straight**

UL Flammability Rating: **UL 94V-2**

## Features

### Product Type Features

Connector & Contact Terminates To	Wire & Cable
Sealable	No
Connector & Housing Type	Tab Housing

### Configuration Features

Number of Positions	1
---------------------	---

### Body Features

Primary Product Color	Natural
-----------------------	---------

### Contact Features

Terminal Type	Tab
Terminal Orientation	Straight
Contact Mating Retention	With

### Mechanical Attachment

Mating Retention Type	Latch
-----------------------	-------

Mating Alignment	With
Connector Mounting Type	Cable Mount (Free-Hanging)

### Housing Features

Housing Material	Polyamide
------------------	-----------

### Dimensions

Product Length	31.1 mm[1.22 in]
----------------	------------------

### Usage Conditions

Operating Temperature Range	-40 – 105 °C[-40 – 221 °F]
-----------------------------	----------------------------

### Industry Standards

UL Flammability Rating	UL 94V-2
------------------------	----------

### Packaging Features

Packaging Quantity	2000
--------------------	------

## Product Compliance

[For compliance documentation, visit the product page on TE.com>](#)

EU RoHS Directive 2011/65/EU	Compliant
EU ELV Directive 2000/53/EC	Compliant
China RoHS 2 Directive MIIT Order No 32, 2016	No Restricted Materials Above Threshold
EU REACH Regulation (EC) No. 1907/2006	Current ECHA Candidate List: JAN 2025 (247) Candidate List Declared Against: JAN 2025 (247) Does not contain REACH SVHC
Halogen Content	Low Halogen - Br, Cl, F, I < 900 ppm per homogenous material. Also BFR/CFR/PVC Free
Solder Process Capability	Not applicable for solder process capability

#### Product Compliance Disclaimer

This information is provided based on reasonable inquiry of our suppliers and represents our current actual knowledge based on the information they provided. This information is subject to change. The part numbers that TE has identified as EU RoHS compliant have a maximum concentration of 0.1% by weight in homogenous materials for lead, hexavalent chromium, mercury, PBB, PBDE, DBP, BBP, DEHP, DIBP, and 0.01% for cadmium, or qualify for an exemption to these limits as defined in the Annexes of Directive 2011/65/EU (RoHS2). Finished electrical and electronic equipment products will be CE marked as required by Directive 2011/65/EU. Components may not be CE marked. Additionally, the part numbers that TE has identified as EU ELV compliant have a maximum concentration of 0.1% by weight in homogenous materials for lead, hexavalent chromium, and mercury, and 0.01% for cadmium, or qualify for an exemption to these limits as defined in the Annexes of Directive 2000/53/EC (ELV). Regarding the REACH Regulation, the information TE provides on SVHC in articles for this part number is based on the latest European Chemicals Agency (ECHA) 'Guidance on requirements for substances in articles' posted at this URL: <https://echa.europa.eu/guidance-documents/guidance-on-reach>

## Compatible Parts



TE Part # 170349-2  
FF 250 TAB 22-20AWG TPBR  
WITHOUT LATCH



TE Part # 170349-1  
FF 250 TAB 22-20AWG BR WITHOUT  
LATCH



TE Part # 170340-3  
FF 250 TAB 20-14AWG PTBR  
WITHOUT LATCH



TE Part # 170341-1  
FF 250 TAB 14-12AWG BR WITHOUT  
LATCH



TE Part # 521744-1  
FASTIN FASTON 250 HOUSING TAB  
NYLON 6/6

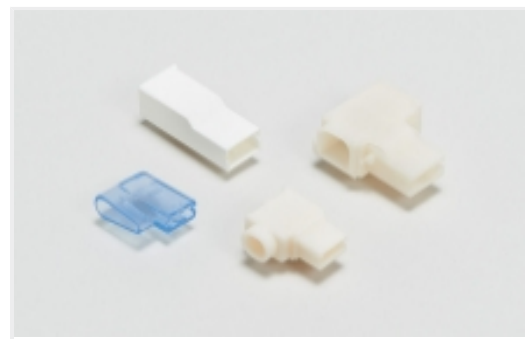


TE Part # 170341-3  
FF 250 TAB 14-12AWG PTBR  
WITHOUT LATCH



TE Part # 170340-1  
FF 250 TAB 20-14AWG BR WITHOUT  
LATCH

## Also in the Series | FASTIN-FASTON 250



Crimp Terminal Housings(195)

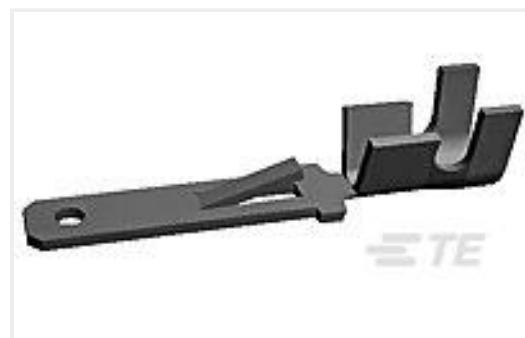


Insertion & Extraction Tools(2)



Quick Disconnects(216)

## Customers Also Bought



TE Part #3-293041-2  
FASTIN FASTON 250 TAB 0.35-1.00  
MM2 PTPBR



TE Part #2-1879353-7  
RR02 5% 51K AMMO



TE Part #6-2176414-0  
7W STD M/OX 5% 5K6



TE Part #2-480435-2  
187 FASTON HSG.,REC.,1 POS,  
NATURAL



TE Part #2-964338-2  
MAG MATE CONTACT MK II



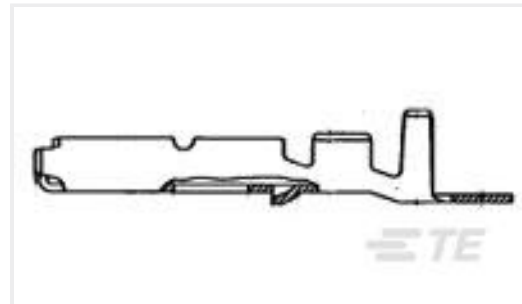
TE Part #9-1534796-4  
AMP DUOPLUG MKII CONNECTOR  
4P S



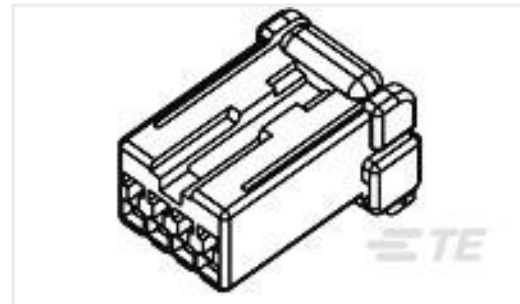
TE Part #1623756-1  
23E 1KA 6X50PL B9 M10



TE Part #1-964575-5  
PCB RAHMEN 5P



TE Part #172774-1  
RECP CONT MULTILOCK MIC MARKII



TE Part #776204-2  
6POS PLUG HSG,040 SERIES BLK

## Documents

### Product Drawings

[FF 250 TAB HSG 1P NYLON NAT](#)

English

### CAD Files

[3D PDF](#)

3D

Customer View Model

[ENG\\_CVM\\_CVM\\_2-180916-0\\_AD\\_c-2-180916-0-ad.2d\\_dxf.zip](#)

English

Customer View Model

[ENG\\_CVM\\_CVM\\_2-180916-0\\_AD\\_c-2-180916-0-ad.3d\\_igs.zip](#)

English

Customer View Model

[ENG\\_CVM\\_CVM\\_2-180916-0\\_AD\\_c-2-180916-0-ad.3d\\_stp.zip](#)

English

By downloading the CAD file I accept and agree to the [Terms and Conditions](#) of use.

### Datasheets & Catalog Pages

[1654742\\_HOUSEHOLD\\_APPLIANCES\\_RAST5](#)

English

[White Paper: Nylon Discoloration](#)

English

### Product Specifications

[Application Specification](#)

English

2-180916-0

Tab, Tab Housing, 1 Position, Straight, UL 94V-2, Natural, Polyamide, Cable Mount  
(Free-Hanging), FASTIN-FASTON 250, Crimp Terminal Housings

