

1SNK706010R0000 ✓ ACTIVE

ENTRELEC | ENTRELEC SNK

TE Internal #: 1SNK706010R0000

PI-Spring Terminal Block, Feed-Through, Gray, 6 mm [.236 in]

Spacing, 2 Position, Spring Terminal, Power & Signal, DIN Rail, 600

VAC, ENTRELEC SNK

[View on TE.com >](#)



Connectors > Terminal Blocks & Strips > Modular Terminal Blocks



Modular Terminal Block Product Type: **PI-Spring Terminal Block**

Block Function: **Feed-Through**

Primary Product Color: **Gray**

Product Spacing: **6 mm [ .236 in ]**

Number of Positions: **2**

## Features

### Product Type Features

Modular Terminal Block Product Type	PI-Spring Terminal Block
-------------------------------------	--------------------------

### Configuration Features

Number of Levels	1
Gauge Type	2.9 mm Dia.
Number of Circuits	1
Block Function	Feed-Through
Number of Positions	2

### Electrical Characteristics

Power Loss	1 W
Operating Voltage Rating (UL & CSA) (Max) - Main Circuit	600 V
Impulse Withstanding Voltage Rating (IEC)	8000 V
Current Rating (IEC)	32 A
Current Rating (UL)	30 A
Current Rating (CSA)	30 A



Dielectric Withstanding Voltage (Max)	2200 V
Voltage Rating (IEC)	1000 V
Voltage Rating (CSA)	600 V
Short-Time Withstanding Current Rating @ 1s	480 A
Operating Voltage	600 VAC

### Body Features

Product Weight	7.9 g[.311 oz]
Primary Product Color	Gray

### Termination Features

Termination Method to Wire & Cable	Spring Terminal
------------------------------------	-----------------

### Mechanical Attachment

DIN Rail Mounting Type	TH35-15, TH35-7.5
Connector Mounting Type	DIN Rail

### Housing Features

Housing Material	Polyamide
------------------	-----------

### Dimensions

Main Circuit Capacity - Twin Ferrule per Spring Clamp	26 – 18 AWG
Product Depth	41.1 mm[1.618 in]
Tool Size	3.5 mm[.138 in]
Wire Stripping Length	12.5 mm[.492 in]
Main Circuit Capacity - 1 Rigid Stranded Conductor per Spring Clamp	26 – 10 AWG
Main Circuit Capacity - 1 Non-Insulated Ferrule per Spring Clamp	26 – 12 AWG
Main Circuit Capacity - 1 Insulated Ferrule per Spring Clamp	26 – 12 AWG
Main Circuit Capacity - 1 Flexible Conductor per Spring Clamp	.5 – 4 mm <sup>2</sup>
Product Length	41.1 mm[1.618 in]
Product Height	55.3 mm[2.177 in]
Product Spacing	6 mm[.236 in]
Wire Size	10 AWG

### Usage Conditions

Installation Temperature Range	-5 – 40 °C[23 – 104 °F]
Operating Temperature Range	-55 – 110 °C[-67 – 230 °F]



### Operation/Application

Circuit Application	Power & Signal
---------------------	----------------

### Industry Standards

IP Rating	IP20
UL Flammability Rating	UL 94V-0

### Product Compliance

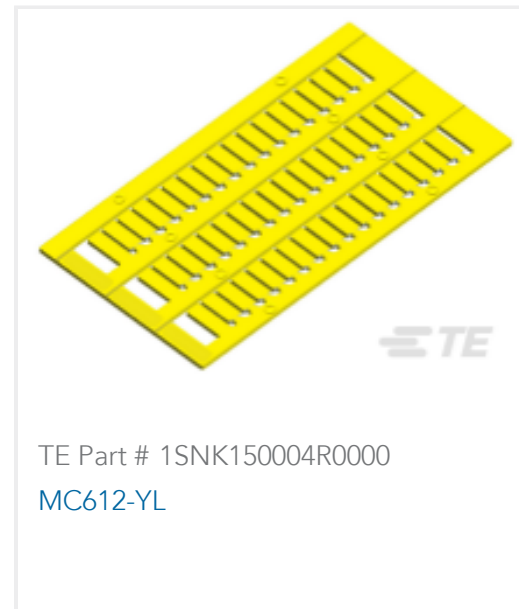
[For compliance documentation, visit the product page on TE.com>](#)

EU RoHS Directive 2011/65/EU	Compliant
EU ELV Directive 2000/53/EC	Compliant
China RoHS 2 Directive MIIT Order No 32, 2016	No Restricted Materials Above Threshold
EU REACH Regulation (EC) No. 1907/2006	Current ECHA Candidate List: JAN 2025 (247) Candidate List Declared Against: JAN 2025 (247) Does not contain REACH SVHC
Halogen Content	Low Halogen - Br, Cl, F, I < 900 ppm per homogenous material. Also BFR/CFR/PVC Free
Solder Process Capability	Not reviewed for solder process capability

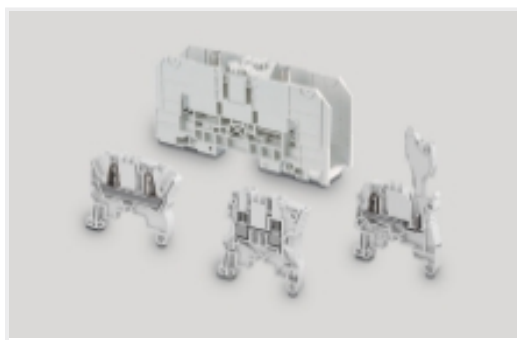
#### Product Compliance Disclaimer

This information is provided based on reasonable inquiry of our suppliers and represents our current actual knowledge based on the information they provided. This information is subject to change. The part numbers that TE has identified as EU RoHS compliant have a maximum concentration of 0.1% by weight in homogenous materials for lead, hexavalent chromium, mercury, PBB, PBDE, DBP, BBP, DEHP, DIBP, and 0.01% for cadmium, or qualify for an exemption to these limits as defined in the Annexes of Directive 2011/65/EU (RoHS2). Finished electrical and electronic equipment products will be CE marked as required by Directive 2011/65/EU. Components may not be CE marked. Additionally, the part numbers that TE has identified as EU ELV compliant have a maximum concentration of 0.1% by weight in homogenous materials for lead, hexavalent chromium, and mercury, and 0.01% for cadmium, or qualify for an exemption to these limits as defined in the Annexes of Directive 2000/53/EC (ELV). Regarding the REACH Regulation, the information TE provides on SVHC in articles for this part number is based on the latest European Chemicals Agency (ECHA) 'Guidance on requirements for substances in articles' posted at this URL: <https://echa.europa.eu/guidance-documents/guidance-on-reach>

### Compatible Parts



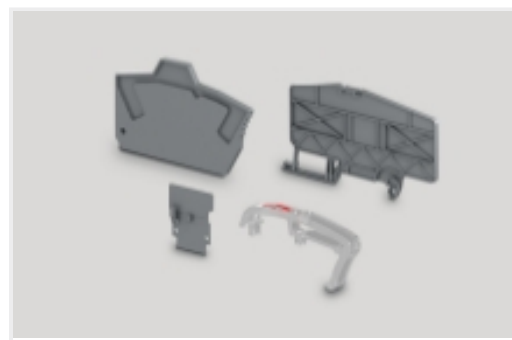
Also in the Series | **ENTRELEC SNK**



Modular Terminal Blocks(319)



Terminal Block & Strip Conducting Accessories(67)



Terminal Block & Strip Insulating Accessories(31)

## Customers Also Bought



TE Part #1SNK906310R0000  
JB6-10



TE Part #1SNK706020R0000  
ZK4-BL



TE Part #1SNK708010R0000  
ZK6



TE Part #1SNK705150R0000  
ZK2.5-PE



TE Part #1SNK705210R0000  
ZK2.5-D2



TE Part #1SNK712010R0000  
ZK16



TE Part #1SNK912305R0000  
JB12-5



TE Part #1SNK710010R0000  
ZK10



TE Part #1SNK705960R0000  
EK2.5-D2



TE Part #1SNK705910R0000  
EK2.5

## Documents

[CAD Files](#)

[3D PDF](#)

[3D](#)

[Customer View Model](#)

[ENG\\_CVM\\_CVM\\_1SNK706010R0000\\_A.2d\\_dxf.zip](#)

[English](#)

[Customer View Model](#)

[ENG\\_CVM\\_CVM\\_1SNK706010R0000\\_A.3d\\_igs.zip](#)



English

**Customer View Model**

[ENG\\_CVM\\_CVM\\_1SNK706010R0000\\_A.3d\\_stp.zip](#)

English

By downloading the CAD file I accept and agree to the [Terms and Conditions](#) of use.

---

**Datasheets & Catalog Pages**

**ZK4**

English

[ENTRELEC Terminal Block - Master Catalog](#)

[ENTRELEC Terminal Block - Master Catalog](#)

English

[SNK SERIES TERMINAL BLOCKS](#)

English

[ENTRELEC Terminal Blocks Catalogue \(RUS\)](#)

[Essential Entrelec Terminal Blocks](#)

French

[Essential Entrelec Terminal Blocks](#)

English

[Essential Entrelec Terminal Blocks](#)

Japanese

---

**Agency Approvals**

[Bureau Veritas Marine and Offshore Certificate](#)

English