

1SNK510010R0000 ✓ ACTIVE

ENTRELEC | ENTRELEC SNK

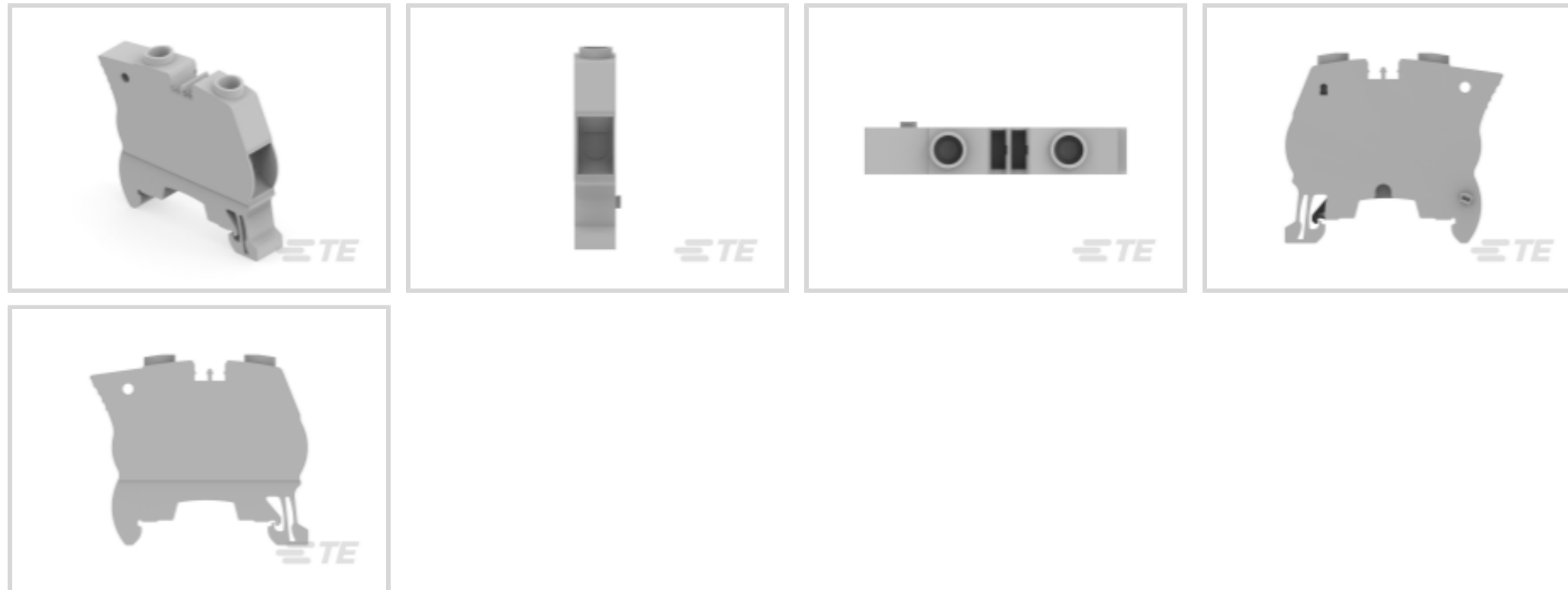
TE Internal #: 1SNK510010R0000

Screw Clamp Terminal Block, Feed-Through, Gray, 10 mm [.394 in] Spacing, 2 Position, Screw Terminal, Power & Signal, DIN Rail, 600 VAC, ENTRELEC SNK

[View on TE.com >](#)



Connectors > Terminal Blocks & Strips > Modular Terminal Blocks



Modular Terminal Block Product Type: **Screw Clamp Terminal Block**

Block Function: **Feed-Through**

Primary Product Color: **Gray**

Product Spacing: **10 mm [.394 in]**

Number of Positions: **2**

## Features

### Product Type Features

Modular Terminal Block Product Type	Screw Clamp Terminal Block
-------------------------------------	----------------------------

### Configuration Features

Number of Levels	1
Gauge Type	A6-B6
Number of Circuits	1
Block Function	Feed-Through
Number of Positions	2

### Electrical Characteristics

Power Loss	2.4 W
Operating Voltage Rating (UL & CSA) (Max) - Main Circuit	600 V
Impulse Withstanding Voltage Rating (IEC)	8000 V
Current Rating (IEC)	76 A
Current Rating (UL)	67 A
Current Rating (CSA)	67 A



Dielectric Withstanding Voltage (Max)	2200 V
Voltage Rating (IEC)	1000 V
Voltage Rating (CSA)	600 V
Short-Time Withstanding Current Rating @ 1s	1920 A
Operating Voltage	600 VAC

### Body Features

Product Weight	20.2 g[.795 oz]
Primary Product Color	Gray

### Termination Features

Termination Method to Wire & Cable	Screw Terminal
------------------------------------	----------------

### Mechanical Attachment

DIN Rail Mounting Type	TH35-15, TH35-7.5
Connector Mounting Type	DIN Rail

### Housing Features

Housing Material	Polyamide
------------------	-----------

### Dimensions

Product Depth	48.8 mm[1.921 in]
Tool Size	5.5 mm[.217 in]
Wire Stripping Length	13.5 mm[.531 in]
Main Circuit Capacity - 2 Rigid Stranded Conductors per Screw Clamp	20 – 10 AWG
Main Circuit Capacity - Twin Ferrule per Screw Clamp	20 – 10 AWG
Main Circuit Capacity - 2 Flexible Conductors per Screw Clamp	20 – 10 AWG
Main Circuit Capacity - 1 Rigid Stranded Conductor per Screw Clamp	24 – 4 AWG
Main Circuit Capacity - 1 Non-Insulated Ferrule per Screw Clamp	.5 – 16 mm <sup>2</sup>
Main Circuit Capacity - 1 Insulated Ferrule per Screw Clamp	.5 – 10 mm <sup>2</sup>
Main Circuit Capacity - 1 Flexible Conductor per Screw Clamp	24 – 4 AWG
Product Length	48.8 mm[1.92 in]
Product Height	56.1 mm[2.209 in]
Product Spacing	10 mm[.394 in]
Wire Size	4 AWG

### Usage Conditions



Installation Temperature Range	-5 – 40 °C[23 – 104 °F]
Operating Temperature Range	-55 – 110 °C[-67 – 230 °F]

**Operation/Application**

Circuit Application	Power & Signal
---------------------	----------------

**Industry Standards**

IP Rating	IP20
UL Flammability Rating	UL 94V-0

**Product Compliance**

[For compliance documentation, visit the product page on TE.com>](#)

EU RoHS Directive 2011/65/EU	Compliant
EU ELV Directive 2000/53/EC	Compliant
China RoHS 2 Directive MIIT Order No 32, 2016	No Restricted Materials Above Threshold
EU REACH Regulation (EC) No. 1907/2006	Current ECHA Candidate List: JAN 2025 (247) Candidate List Declared Against: JAN 2025 (247) Does not contain REACH SVHC
Halogen Content	Low Halogen - Br, Cl, F, I < 900 ppm per homogenous material. Also BFR/CFR/PVC Free
Solder Process Capability	Not reviewed for solder process capability

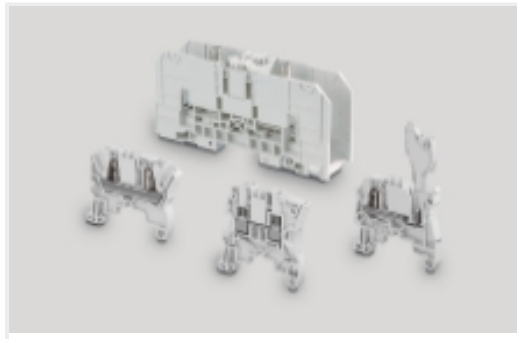
**Product Compliance Disclaimer**

This information is provided based on reasonable inquiry of our suppliers and represents our current actual knowledge based on the information they provided. This information is subject to change. The part numbers that TE has identified as EU RoHS compliant have a maximum concentration of 0.1% by weight in homogenous materials for lead, hexavalent chromium, mercury, PBB, PBDE, DBP, BBP, DEHP, DIBP, and 0.01% for cadmium, or qualify for an exemption to these limits as defined in the Annexes of Directive 2011/65/EU (RoHS2). Finished electrical and electronic equipment products will be CE marked as required by Directive 2011/65/EU. Components may not be CE marked. Additionally, the part numbers that TE has identified as EU ELV compliant have a maximum concentration of 0.1% by weight in homogenous materials for lead, hexavalent chromium, and mercury, and 0.01% for cadmium, or qualify for an exemption to these limits as defined in the Annexes of Directive 2000/53/EC (ELV). Regarding the REACH Regulation, the information TE provides on SVHC in articles for this part number is based on the latest European Chemicals Agency (ECHA) 'Guidance on requirements for substances in articles' posted at this URL: <https://echa.europa.eu/guidance-documents/guidance-on-reach>

**Compatible Parts**



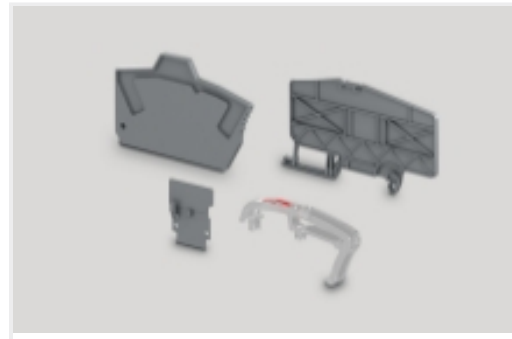
Also in the Series | **ENTRELEC SNK**



Modular Terminal Blocks(319)



Terminal Block & Strip Conducting Accessories(67)



Terminal Block & Strip Insulating Accessories(31)

## Customers Also Bought



TE Part #1SNK910303R0000  
JB10-3



TE Part #1SNK505010R0000  
ZS4



TE Part #1SNK505210R0000  
ZS4-D2



TE Part #1SNK516150R0000  
ZS35-PE



TE Part #1SNK506020R0000  
ZS6-BL



TE Part #1SNK510020R0000  
ZS16-BL



TE Part #1SNK516011R0000  
ZS50



TE Part #1SNK522010R0000  
ZS70



TE Part #1SNK506010R0000  
ZS6



TE Part #1SNK522020R0000  
ZS70-BL

## Documents

### Product Drawings

ZS16

English

### CAD Files

Customer View Model

[ENG\\_CVM\\_CVM\\_1SNK510010R0000\\_B1.3d\\_igs.zip](#)

English

Customer View Model



[ENG\\_CVM\\_CVM\\_1SNK510010R0000\\_B1.3d\\_stp.zip](#)

English

**Customer View Model**

[ENG\\_CVM\\_CVM\\_1SNK510010R0000\\_B1.2d\\_dxf.zip](#)

English

**3D PDF**

3D

By downloading the CAD file I accept and agree to the [Terms and Conditions](#) of use.

---

### Datasheets & Catalog Pages

**ZS16**

English

[ENTRELEC Terminal Block - Master Catalog](#)

[ENTRELEC Terminal Block - Master Catalog](#)

English

**SNK SERIES TERMINAL BLOCKS**

English

[ENTRELEC Terminal Blocks Catalogue \(RUS\)](#)

**Essential Entrelec Terminal Blocks**

French

**Essential Entrelec Terminal Blocks**

English

**Essential Entrelec Terminal Blocks**

Japanese

---

### Agency Approvals

**ZK-ZS\_ATEX\_1SND225112U1006-C-TE**

English