



TE Internal #: 1939115-1

Secure Digital, 9 Position, 1.7 mm / 2.4 mm / 2.5 mm [.06 in / .09 in / .1 in] Centerline, Right Angle, -25 – 85 °C [-13 – 185 °F], SD Card Connectors

[View on TE.com >](#)

Connectors > PCB Connectors > Memory Card Connectors > SD Card Connectors



Compatible Card: **Secure Digital**

Number of Positions: **9**

Centerline (Pitch): **1.7 mm, 2.4 mm, 2.5 mm [.06 in, .09 in, .1 in]**

PCB Mount Orientation: **Right Angle**

Operating Temperature Range: **-25 – 85 °C [-13 – 185 °F]**

Features

Product Type Features

Connector & Contact Terminates To	Printed Circuit Board
Compatible Card	Secure Digital

Configuration Features

Number of Rows	1
Number of Positions	9
PCB Mount Orientation	Right Angle

Body Features

Primary Product Color	Black
-----------------------	-------

Contact Features

Contact Current Rating (Max)	.5 A
Contact Underplating Material	Nickel
Contact Layout	Inline
Contact Mating Area Plating Material	Gold (Au)
Contact Base Material	Copper Alloy



PCB Contact Termination Area Plating Material	Tin
---	-----

Contact Mating Area Plating Material Thickness	.2 – .5 µm
--	------------

Termination Features

Termination Method to PCB	Surface Mount
---------------------------	---------------

Mechanical Attachment

Connector Mounting Type	Board Mount
-------------------------	-------------

Housing Features

Housing Material	LCP
------------------	-----

Shell Material	Copper Alloy
----------------	--------------

Centerline (Pitch)	1.7 mm, 2.4 mm, 2.5 mm [.06 in][.09 in][.1 in]
--------------------	--

Dimensions

Profile Height from PCB	2.95 mm [.116 in]
-------------------------	-------------------

Usage Conditions

Operating Temperature Range	-25 – 85 °C [-13 – 185 °F]
-----------------------------	----------------------------

Operation/Application

Assembly Process Feature	Hold Down
--------------------------	-----------

Circuit Application	Signal
---------------------	--------

Industry Standards

UL Flammability Rating	UL 94V-0
------------------------	----------

Packaging Features

Packaging Method	Tape & Reel
------------------	-------------

Product Compliance

[For compliance documentation, visit the product page on TE.com>](#)

EU RoHS Directive 2011/65/EU	Compliant
------------------------------	-----------

EU ELV Directive 2000/53/EC	Compliant
-----------------------------	-----------

China RoHS 2 Directive MIIT Order No 32, 2016	No Restricted Materials Above Threshold
---	---

EU REACH Regulation (EC) No. 1907/2006	Current ECHA Candidate List: JAN 2025 (247) Candidate List Declared Against: JUNE 2024 (241) Does not contain REACH SVHC
--	--

Halogen Content	Low Halogen - Br, Cl, F, I < 900 ppm per
-----------------	--

homogenous material. Also BFR/CFR/PVC Free

Solder Process Capability

Reflow solder capable to 245°C

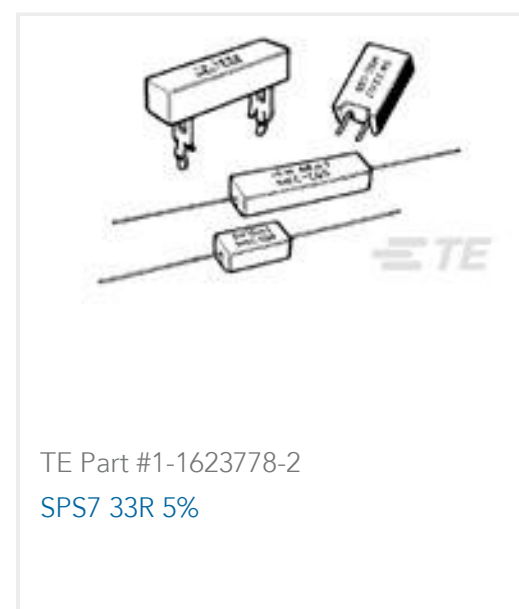
Product Compliance Disclaimer

This information is provided based on reasonable inquiry of our suppliers and represents our current actual knowledge based on the information they provided. This information is subject to change. The part numbers that TE has identified as EU RoHS compliant have a maximum concentration of 0.1% by weight in homogenous materials for lead, hexavalent chromium, mercury, PBB, PBDE, DBP, BBP, DEHP, DIBP, and 0.01% for cadmium, or qualify for an exemption to these limits as defined in the Annexes of Directive 2011/65/EU (RoHS2). Finished electrical and electronic equipment products will be CE marked as required by Directive 2011/65/EU. Components may not be CE marked. Additionally, the part numbers that TE has identified as EU ELV compliant have a maximum concentration of 0.1% by weight in homogenous materials for lead, hexavalent chromium, and mercury, and 0.01% for cadmium, or qualify for an exemption to these limits as defined in the Annexes of Directive 2000/53/EC (ELV). Regarding the REACH Regulation, the information TE provides on SVHC in articles for this part number is based on the latest European Chemicals Agency (ECHA) 'Guidance on requirements for substances in articles' posted at this URL: <https://echa.europa.eu/guidance-documents/guidance-on-reach>

Compatible Parts



Customers Also Bought





Documents

Product Drawings

[SD CONN STD EMBOSS W/B REVERSE](#)

English

CAD Files

Customer View Model

[ENG_CVM_CVM_1939115-1_C.2d_dxf.zip](#)

English

[3D PDF](#)

3D

Customer View Model

[ENG_CVM_CVM_1939115-1_C.3d_igs.zip](#)

English

Customer View Model

[ENG_CVM_CVM_1939115-1_C.3d_stp.zip](#)

English

By downloading the CAD file I accept and agree to the [Terms and Conditions](#) of use.