

176146-2 ✓ ACTIVE

Econoseal

TE Internal #: 176146-2

2 Position Housing, Housing for Female Terminals, Wire-to-Wire, 7.9 mm [.311 in] Centerline, Sealable, Black, Wire & Cable, Power

[View on TE.com >](#)



Connectors > Automotive Connectors > Automotive Housings > ECONOSEAL, CONNECTOR HOUSING



Number of Positions: 2

Connector & Housing Type: **Housing for Female Terminals**

Mating Tab Width: 4.8 mm [.187 in]

Connector System: **Wire-to-Wire**

Centerline (Pitch): 7.9 mm [.311 in]

[All ECONOSEAL, CONNECTOR HOUSING \(58\)](#)

Features

Product Type Features

Mixed & Hybrid Connector	No
Connector Shape	Rectangular
Connector & Housing Type	Housing for Female Terminals
Connector System	Wire-to-Wire
Sealable	Yes
Primary Locking Feature	Integrated in Housing
Connector & Contact Terminates To	Wire & Cable

Configuration Features

Number of Positions	2
Number of Rows	1

Electrical Characteristics

Operating Voltage	13.2 VDC
-------------------	----------

Body Features

Cable Exit Angle	180°
Primary Product Color	Black

Contact Features

Contact Size	4.8mm
--------------	-------



Contact Type	Receptacle
--------------	------------

Mating Tab Width	4.8 mm[.187 in]
------------------	-----------------

Contact Current Rating (Max)	25 A
------------------------------	------

Mechanical Attachment

Strain Relief	Without
---------------	---------

Terminal Position Assurance	No
-----------------------------	----

Mating Alignment Type	Polarizing Slot
-----------------------	-----------------

Mating Alignment	With
------------------	------

Connector Mounting Type	Cable Mount (Free-Hanging)
-------------------------	----------------------------

Housing Features

Housing Material	PBT
------------------	-----

Centerline (Pitch)	7.9 mm[.311 in]
--------------------	-----------------

Dimensions

Product Width	27.6 mm[1.087 in]
---------------	-------------------

Product Length	31.6 mm[1.244 in]
----------------	-------------------

Connector Height	27.5 mm[1.083 in]
------------------	-------------------

Usage Conditions

Operating Temperature (Max)	105 °C[221 °F]
-----------------------------	----------------

Operating Temperature Range	-30 – 105 °C[-22 – 221 °F]
-----------------------------	----------------------------

Operation/Application

Circuit Application	Power
---------------------	-------

Industry Standards

UL Flammability Rating	UL 94V-2
------------------------	----------

Packaging Features

Packaging Quantity	50
--------------------	----

Packaging Method	Tray
------------------	------

Other

Serviceable	Yes
-------------	-----

Connector Position Assurance Capable	No
--------------------------------------	----

Product Compliance

[For compliance documentation, visit the product page on TE.com>](#)



EU RoHS Directive 2011/65/EU	Compliant
EU ELV Directive 2000/53/EC	Compliant
China RoHS 2 Directive MIIT Order No 32, 2016	No Restricted Materials Above Threshold
EU REACH Regulation (EC) No. 1907/2006	Current ECHA Candidate List: JAN 2025 (247) Candidate List Declared Against: JAN 2025 (247) Does not contain REACH SVHC
Halogen Content	Not Low Halogen - contains Br or Cl > 900 ppm.
Solder Process Capability	Not applicable for solder process capability

Product Compliance Disclaimer

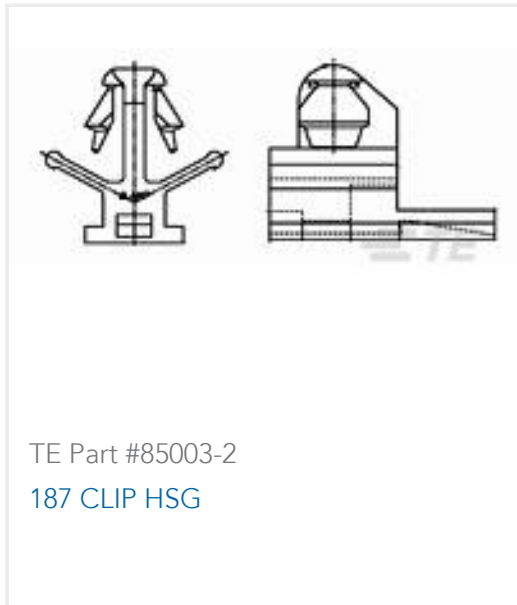
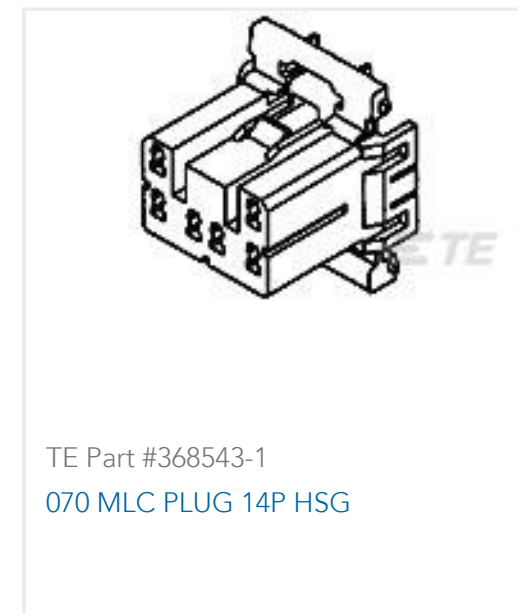
This information is provided based on reasonable inquiry of our suppliers and represents our current actual knowledge based on the information they provided. This information is subject to change. The part numbers that TE has identified as EU RoHS compliant have a maximum concentration of 0.1% by weight in homogenous materials for lead, hexavalent chromium, mercury, PBB, PBDE, DBP, BBP, DEHP, DIBP, and 0.01% for cadmium, or qualify for an exemption to these limits as defined in the Annexes of Directive 2011/65/EU (RoHS2). Finished electrical and electronic equipment products will be CE marked as required by Directive 2011/65/EU. Components may not be CE marked. Additionally, the part numbers that TE has identified as EU ELV compliant have a maximum concentration of 0.1% by weight in homogenous materials for lead, hexavalent chromium, and mercury, and 0.01% for cadmium, or qualify for an exemption to these limits as defined in the Annexes of Directive 2000/53/EC (ELV). Regarding the REACH Regulation, the information TE provides on SVHC in articles for this part number is based on the latest European Chemicals Agency (ECHA) 'Guidance on requirements for substances in articles' posted at this URL: <https://echa.europa.eu/guidance-documents/guidance-on-reach>

Compatible Parts

TE Part # 2378980-1 CABLE ASSY GSB	TE Part # 176143-2 187 CAP HSG ASSY 2P BLACK	TE Part # CAT-EC7491-T273 Econoseal Receptacles and Tabs	TE Part # 85024-1 RUBBER PLUG GRAY FOR 187 SEALD

Customers Also Bought

TE Part #CAT-EC7491-T273 Econoseal Receptacles and Tabs	TE Part #1897214-1 MCP 6.3 2P PLUG ASSY	TE Part #2188250-2 JPT 4P SLD PLUG ASS'Y	TE Part #1743757-2 SPT SEALED 3P CAP HSG



Documents

Product Drawings

187 PLUG HSG 2P BLACK

English

CAD Files

Customer View Model

[ENG_CVM_176146-2_E.3d_igs.zip](#)

English

Customer View Model

[ENG_CVM_176146-2_E.3d_stp.zip](#)

English

Customer View Model

[ENG_CVM_176146-2_E.2d_dxf.zip](#)

English

3D PDF

English

By downloading the CAD file I accept and agree to the [Terms and Conditions](#) of use.

Datasheets & Catalog Pages

Econoseal Connector Series

English

Product Specifications

Application Specification

English

Crimping of 187 Series, Waterproof Contact

English

176146-2

2 Position Housing, Housing for Female Terminals, Wire-to-Wire, 7.9 mm [.311 in]
Centerline, Sealable, Black, Wire & Cable, Power



Instruction Sheets

Instruction Sheet (non U.S.)

Japanese