

175197-2 ✓ ACTIVE

AMP | Multilock Connector System

TE Internal #: 175197-2

Receptacle Terminal, 20 – 16 AWG, .5 – 1.25 mm² Wire, 1 mm [.039 in] Tab Width, Gold (Au), .64 mm [.025 in] Tab Thickness, Multilock Connector System

[View on TE.com >](#)



Terminals & Splices > Automotive Terminals > MULTILOCK, RECEPTACLE AND TAB



Terminal Type: **Receptacle**

Wire Size: **20 – 16 AWG**

Mating Tab Width: **1 mm [.039 in]**

Interface Plating: **Gold (Au)**

[All MULTILOCK, RECEPTACLE AND TAB \(74\)](#)

Features

Product Type Features

Receptacle Style	180°
Primary Locking Feature	Clean Body
Sealable	No

Contact Features

Crimp Type	F-Crimp
Contact Size	1mm
Contact Fabrication	Stamped & Formed
Wire Contact Termination Area Plating Material	Gold
Terminal Type	Receptacle
Mating Tab Width	1 mm [.039 in]
Interface Plating	Gold (Au)
Mating Tab Thickness	.64 mm [.025 in]

Termination Features

Termination Method to Wire & Cable	Crimp
Product Terminates To	Wire

Dimensions

Compatible Insulation Diameter Range	1.6 – 2.2 mm
--------------------------------------	--------------



Wire Size	20 – 16 AWG
Wire Size Search	.5 mm ² , .6 mm ² , .75 mm ² , 1 mm ² , 1.25 mm ²

Usage Conditions

Insulation Option	Uninsulated
Operating Temperature (Max)	80 °C, 85 °C, 90 °C, 100 °C, 105 °C, 110 °C, 120 °C[212 °F]
Operating Temperature Range	-40 – 120 °C[-40 – 248 °F]

Packaging Features

Packaging Method	Reel
Packaging Quantity	5000

Other

Terminal Transmits	0 – 24 A (Low Power)
--------------------	----------------------

Product Compliance

[For compliance documentation, visit the product page on TE.com>](#)

EU RoHS Directive 2011/65/EU	Compliant
EU ELV Directive 2000/53/EC	Compliant
China RoHS 2 Directive MIIT Order No 32, 2016	No Restricted Materials Above Threshold
EU REACH Regulation (EC) No. 1907/2006	Current ECHA Candidate List: JAN 2025 (247) Candidate List Declared Against: JAN 2025 (247) Does not contain REACH SVHC
Halogen Content	Low Halogen - Br, Cl, F, I < 900 ppm per homogenous material. Also BFR/CFR/PVC Free
Solder Process Capability	Not applicable for solder process capability

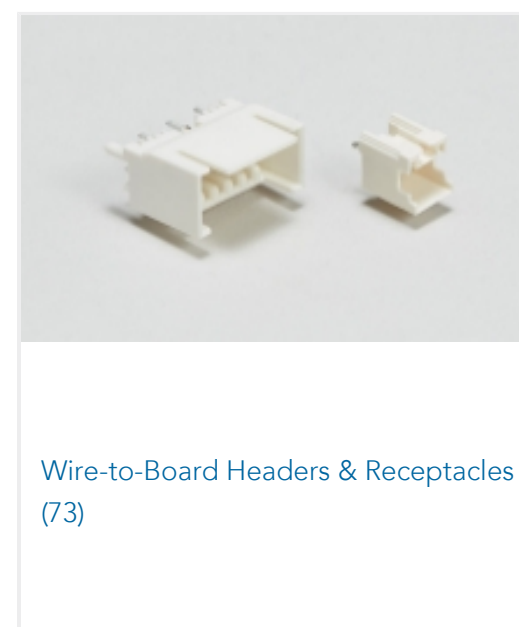
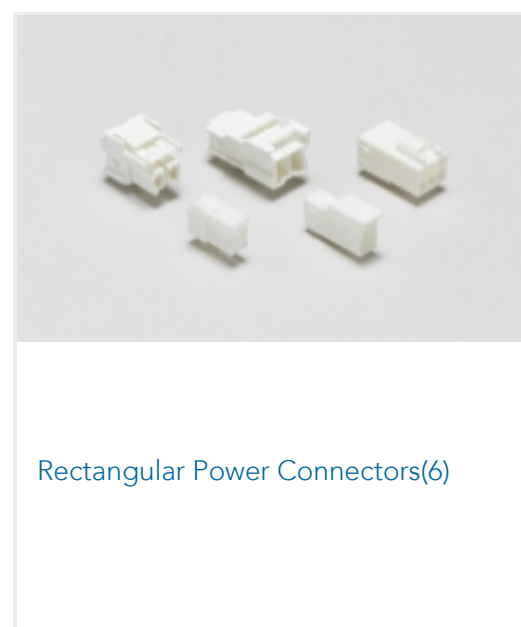
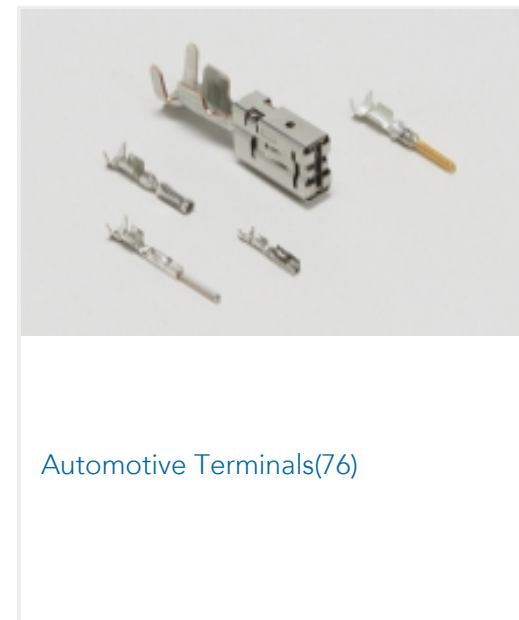
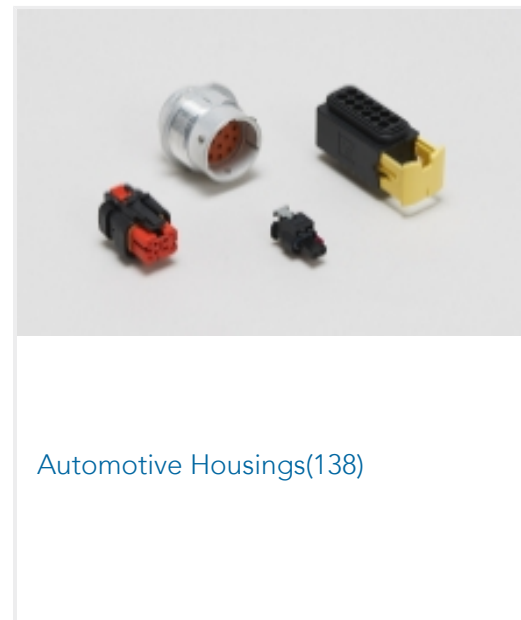
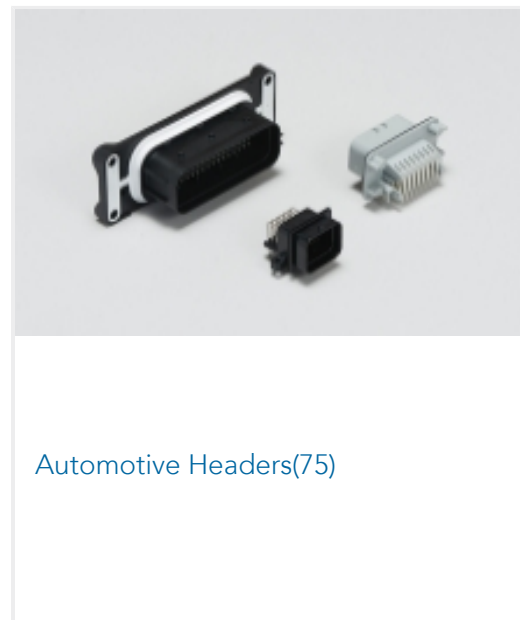
Product Compliance Disclaimer

This information is provided based on reasonable inquiry of our suppliers and represents our current actual knowledge based on the information they provided. This information is subject to change. The part numbers that TE has identified as EU RoHS compliant have a maximum concentration of 0.1% by weight in homogenous materials for lead, hexavalent chromium, mercury, PBB, PBDE, DBP, BBP, DEHP, DIBP, and 0.01% for cadmium, or qualify for an exemption to these limits as defined in the Annexes of Directive 2011/65/EU (RoHS2). Finished electrical and electronic equipment products will be CE marked as required by Directive 2011/65/EU. Components may not be CE marked. Additionally, the part numbers that TE has identified as EU ELV compliant have a maximum concentration of 0.1% by weight in homogenous materials for lead, hexavalent chromium, and mercury, and 0.01% for cadmium, or qualify for an exemption to these limits as defined in the Annexes of Directive 2000/53/EC (ELV). Regarding the REACH Regulation, the information TE provides on SVHC in articles for this part number is based on the latest European Chemicals Agency (ECHA) 'Guidance on requirements for substances in articles' posted at this URL: <https://echa.europa.eu/guidance-documents/guidance-on-reach>

Compatible Parts



Also in the Series | Multilock Connector System



Customers Also Bought



TE Part #CAT-EC7491-CH8172
ECONOSEAL, CONNECTOR
HOUSING



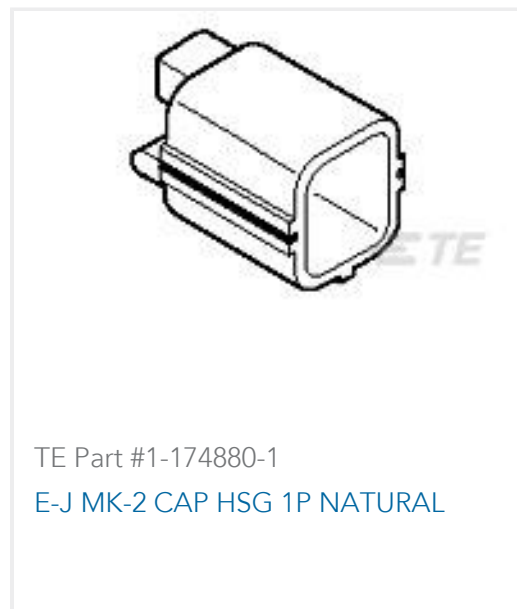
TE Part #368049-1
E-J MK-II(+) 16P PLUG DBL



TE Part #CAT-T319-CH8172
TH/.025 CONNECTOR SYSTEM,
HOUSING



TE Part #178421-7
CAVITY PLUG FOR 120P ECU CONN



TE Part #1-174880-1
E-J MK-2 CAP HSG 1P NATURAL



TE Part #1-174878-1
E-J MK-2 PLUG HSG 1P NATURAL

Documents

Product Drawings

040 REC FOR 120P ECU CONN

English

CAD Files

Customer View Model

[ENG_CVM_175197-2_C.3d_igs.zip](#)

English

Customer View Model

[ENG_CVM_175197-2_C.3d_stp.zip](#)

English

Customer View Model

[ENG_CVM_175197-2_C.2d_dxf.zip](#)

English

3D PDF

English

By downloading the CAD file I accept and agree to the [Terms and Conditions](#) of use.

Datasheets & Catalog Pages

MULTILOCK Connector System

English

Product Specifications

Application Specification

English

CRIMPING .040 SERIES, RECEPTACLE CONTACTS FOR 120-POS. SEALED PAIR MATE CONNECTOR

English



CRIMPING .040 SERIES, RECEPTACLE CONTACTS FOR 120-POS. SEALED PAIR MATE CONNECTOR

Japanese

Application Specification

Japanese

Agency Approvals

TUV Certificate

English