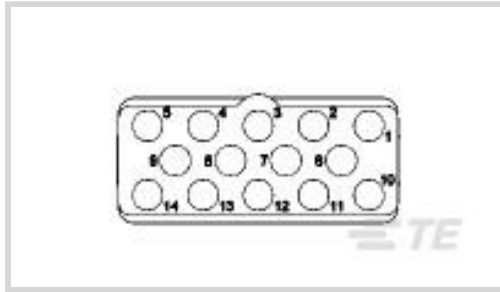




Connectors > Rectangular Connectors > Rectangular Contact Inserts



Rectangular Connector Insert Type: **Insert for Contacts**

Contact Type: **Socket**

Pole Configuration: **14**

Number of Positions: **14**

Wire Size: **14 AWG, 15 AWG**

Features

Product Type Features

Rectangular Connector Insert Type	Insert for Contacts
-----------------------------------	---------------------

Configuration Features

Number of Positions	14
---------------------	----

Body Features

Seal Type	Grommet Seal, Interfacial Seal
-----------	--------------------------------

Contact Features

Contact Type	Socket
Pole Configuration	14

Mechanical Attachment

Polarization Code	A
-------------------	---

Dimensions

Wire Size	14 AWG, 15 AWG
-----------	----------------

Packaging Features

Packaging Method	Package
Packaging Quantity	1

Product Compliance

[For compliance documentation, visit the product page on TE.com>](#)

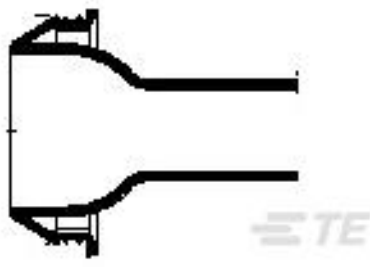
EU RoHS Directive 2011/65/EU	Compliant
------------------------------	-----------

EU ELV Directive 2000/53/EC	Not Yet Reviewed
China RoHS 2 Directive MIIT Order No 32, 2016	No Restricted Materials Above Threshold
EU REACH Regulation (EC) No. 1907/2006	Current ECHA Candidate List: JAN 2025 (247) Candidate List Declared Against: JAN 2019 (197) Does not contain REACH SVHC
Halogen Content	Not Yet Reviewed for halogen content
Solder Process Capability	Not applicable for solder process capability

Product Compliance Disclaimer

This information is provided based on reasonable inquiry of our suppliers and represents our current actual knowledge based on the information they provided. This information is subject to change. The part numbers that TE has identified as EU RoHS compliant have a maximum concentration of 0.1% by weight in homogenous materials for lead, hexavalent chromium, mercury, PBB, PBDE, DBP, BBP, DEHP, DIBP, and 0.01% for cadmium, or qualify for an exemption to these limits as defined in the Annexes of Directive 2011/65/EU (RoHS2). Finished electrical and electronic equipment products will be CE marked as required by Directive 2011/65/EU. Components may not be CE marked. Additionally, the part numbers that TE has identified as EU ELV compliant have a maximum concentration of 0.1% by weight in homogenous materials for lead, hexavalent chromium, and mercury, and 0.01% for cadmium, or qualify for an exemption to these limits as defined in the Annexes of Directive 2000/53/EC (ELV). Regarding the REACH Regulation, the information TE provides on SVHC in articles for this part number is based on the latest European Chemicals Agency (ECHA) 'Guidance on requirements for substances in articles' posted at this URL: <https://echa.europa.eu/guidance-documents/guidance-on-reach>

Customers Also Bought



TE Part #853293-000
205A112-3/42-0



TE Part #YDBA33H-10-5PNV001
HERM RECP



TE Part #CL9154-000
DWP-125-1/2-4-STK



TE Part #7-2252003-3
K500B3C02=CONTACTOR SPST NO
500A MAGBLOW



TE Part #1811646-1
PLUG SHELL ASY,VERT



TE Part #225559-2
TNC RT ANG PLUG DUAL W/P TR



TE Part #1738280-1
SHELL ASY,KIT,RECPT,GPRB2



TE Part #1811650-1
STRAIN RELIEF KIT,GPRB2



TE Part #6200060004
D-105-00CS379

Documents

Product Drawings

[Insert Asy,Skt,Arr 14,Environ,Key A](#)

English

Datasheets & Catalog Pages

[ARINC 600 Next Generation Receptacle Connector](#)

English