



SOLISTRAND

TE Internal #: 170725-2

Closed Ring Tongue Terminal, 12 – 10 AWG, M5 Stud, 5.4 mm [.213 in] Stud Diameter, Closed Barrel, Straight, Tin Plating, Uninsulated

[View on TE.com >](#)

Terminals & Splices > Ring Terminals



Ring Terminal Product Type: **Closed Ring Tongue Terminal**

Wire Size: **5180 – 13100 CMA**

Stud Size: **M5**

**Features**

**Product Type Features**

Ring Terminal Product Type	Closed Ring Tongue Terminal
Stud Size	M5
Sealable	No
Wire Insulation Support Retention Type	Non-Insulation Support

**Configuration Features**

Number of Holes	1
-----------------	---

**Contact Features**

Barrel Type	Closed
Terminal Orientation	Straight
Terminal Plating Material	Tin

**Mechanical Attachment**

Wire Insulation Support	Without
-------------------------	---------

**Dimensions**

Wire Size	5180 – 13100 CMA
Stud Diameter	5.4 mm [.213 in]
Tongue Thickness	.79 mm [.031 in]
Product Length	20 mm [.78 in]
Barrel Inside Diameter	4.65 mm [.181 in]

**Usage Conditions**



Insulation Option	Uninsulated
-------------------	-------------

### Operation/Application

Compatible With Wire Base Material	Copper
------------------------------------	--------

Compatible With Wire Plating Material	Tin
---------------------------------------	-----

### Industry Standards

Government Qualified Terminal	No
-------------------------------	----

### Packaging Features

Packaging Quantity	1000
--------------------	------

Packaging Method	Box
------------------	-----

### Product Compliance

[For compliance documentation, visit the product page on TE.com>](#)

EU RoHS Directive 2011/65/EU	Compliant
------------------------------	-----------

EU ELV Directive 2000/53/EC	Compliant
-----------------------------	-----------

China RoHS 2 Directive MIIT Order No 32, 2016	No Restricted Materials Above Threshold
---	---

EU REACH Regulation (EC) No. 1907/2006	Current ECHA Candidate List: JAN 2025 (247) Candidate List Declared Against: JUNE 2024 (241) Does not contain REACH SVHC
--	--

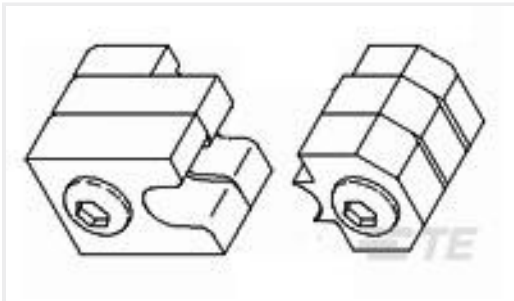
Halogen Content	Low Halogen - Br, Cl, F, I < 900 ppm per homogenous material. Also BFR/CFR/PVC Free
-----------------	---

Solder Process Capability	Not applicable for solder process capability
---------------------------	--

#### Product Compliance Disclaimer

This information is provided based on reasonable inquiry of our suppliers and represents our current actual knowledge based on the information they provided. This information is subject to change. The part numbers that TE has identified as EU RoHS compliant have a maximum concentration of 0.1% by weight in homogenous materials for lead, hexavalent chromium, mercury, PBB, PBDE, DBP, BBP, DEHP, DIBP, and 0.01% for cadmium, or qualify for an exemption to these limits as defined in the Annexes of Directive 2011/65/EU (RoHS2). Finished electrical and electronic equipment products will be CE marked as required by Directive 2011/65/EU. Components may not be CE marked. Additionally, the part numbers that TE has identified as EU ELV compliant have a maximum concentration of 0.1% by weight in homogenous materials for lead, hexavalent chromium, and mercury, and 0.01% for cadmium, or qualify for an exemption to these limits as defined in the Annexes of Directive 2000/53/EC (ELV). Regarding the REACH Regulation, the information TE provides on SVHC in articles for this part number is based on the latest European Chemicals Agency (ECHA) 'Guidance on requirements for substances in articles' posted at this URL: <https://echa.europa.eu/guidance-documents/guidance-on-reach>

### Compatible Parts



TE Part # 47814  
DIES SOLIS 12-10 DIE SET



TE Part # 49935  
DAHT SOLIS 22-10 ASSY



TE Part # 169400  
CERTI-LOK FRAME W/O DIES

## Customers Also Bought



TE Part #4-1419111-1  
PT270012



TE Part #1415526-1  
PT78722



TE Part #2-1415526-1  
PT17021



TE Part #227677-1  
BNC PCB RT ANG JACK W/POST



TE Part #165301  
SOLIS DIN 4.0-6.0 R M4



TE Part #160013  
SOLIS 8 R M5



TE Part #4-1419111-3  
PT270048



TE Part #4-2176057-1  
RLP73K 3A R47 1% 1K RL



TE Part #63097-2  
POSITIVE LOCK 250 REC 18-14 AWG  
BR



TE Part #803759-SF  
FN9222R-1-06

## Documents

### Product Drawings

#### SOLIS RING

English

### CAD Files

#### 3D PDF

3D

### Customer View Model

[ENG\\_CVM\\_CVM\\_170725-2\\_E.2d\\_dxf.zip](#)



English

**Customer View Model**

[ENG\\_CVM\\_CVM\\_170725-2\\_E.3d\\_igs.zip](#)

English

**Customer View Model**

[ENG\\_CVM\\_CVM\\_170725-2\\_E.3d\\_stp.zip](#)

English

By downloading the CAD file I accept and agree to the [Terms and Conditions](#) of use.

---

**Product Specifications**

**Product Specification**

English

**SOLISTRAND TERMINALS**

English

**Product Specification**

English

**NON-INSULATED SOLDERLESS SOLISTRAND TERMINAL FOR COPPER WIRE**

English

**NON-INSULATED SOLDERLESS SOLISTRAND TERMINAL FOR COPPER WIRE**

Japanese

**Product Specification**

Japanese

---

**Instruction Sheets**

**Instruction Sheet (U.S.)**

English