

1658641-1 ✓ ACTIVE



## AMPLIMITE

TE Internal #: 1658641-1

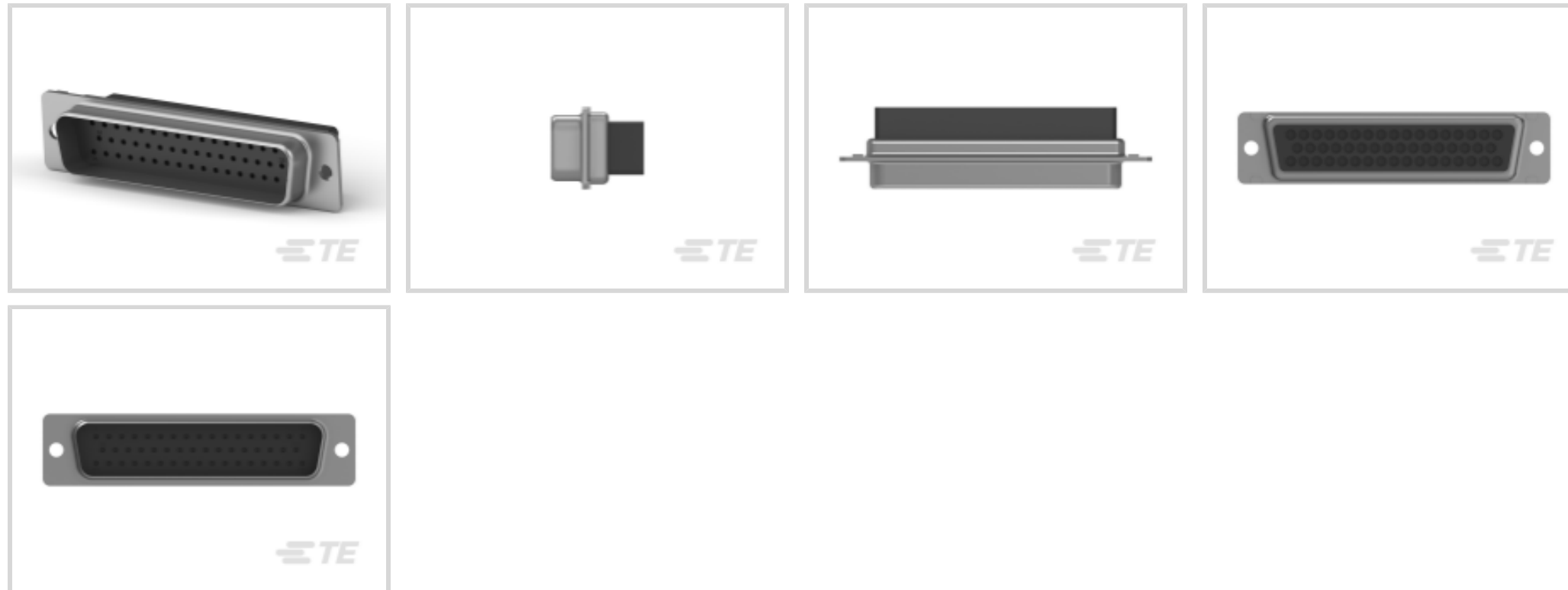
50 Position D-Shaped Connector, Plug, Cable-to-Cable, Panel

Mount, 5 Shell Size, 2.74 mm / 2.77 mm / 2.79 mm [.108 in / .109 in /

.11 in] Centerline

[View on TE.com >](#)

Connectors > D-Shaped Connectors > D-Sub Crimp: Plug, Signal, 50 Posn, Pin Size 20, Shell Size 5



Number of Positions: **50**

Connector & Housing Type: **Plug**

Connector System: **Cable-to-Cable**

Connector Mounting Type: **Panel Mount**

Connector Shell Size: **5**

[All D-Sub Crimp: Plug, Signal, 50 Posn, Pin Size 20, Shell Size 5 \(4\)](#)

## Features

### Product Type Features

Shell Material Configuration	Full Metal Shell
Sealable	No
Connector & Housing Type	Plug
Connector System	Cable-to-Cable
Connector Shell Size	5
Connector & Contact Terminates To	Wire & Cable

### Configuration Features

Number of Positions	50
---------------------	----

### Body Features

Shell Plating Material	Tin
Primary Product Color	Black
Shield Plating Material	Steel



Insert Material	Glass-Filled Nylon
-----------------	--------------------

### Contact Features

Contact Size	Size 20
Contact Options	Order Separately

### Termination Features

Termination Method to Wire & Cable	Crimp
------------------------------------	-------

### Mechanical Attachment

Mating Retention	With
Mating Retention Type	Mounting Holes
Connector Mounting Type	Panel Mount

### Housing Features

Housing Material	Nylon GF, Polyester GF
Shell Material	Steel
Centerline (Pitch)	2.74 mm, 2.77 mm, 2.79 mm [.108 in][.109 in] [.11 in]

### Dimensions

Compatible Insulation Diameter Range	4.58 – 11.68 mm
Wire Size	24 – 20 AWG

### Usage Conditions

Operating Temperature Range	-55 – 105 °C[-67 – 221 °F]
-----------------------------	----------------------------

### Operation/Application

Shielded	No
Circuit Application	Signal

### Industry Standards

UL Flammability Rating	UL 94V-0
------------------------	----------

### Packaging Features

Packaging Method	Package
Packaging Quantity	225

### Product Compliance

[For compliance documentation, visit the product page on TE.com>](#)

EU RoHS Directive 2011/65/EU	Compliant
------------------------------	-----------



EU ELV Directive 2000/53/EC	Compliant
China RoHS 2 Directive MIIT Order No 32, 2016	No Restricted Materials Above Threshold
EU REACH Regulation (EC) No. 1907/2006	Current ECHA Candidate List: JAN 2025 (247) Candidate List Declared Against: JAN 2025 (247) Does not contain REACH SVHC
Halogen Content	Not Low Halogen - contains Br or Cl > 900 ppm.
Solder Process Capability	Not applicable for solder process capability

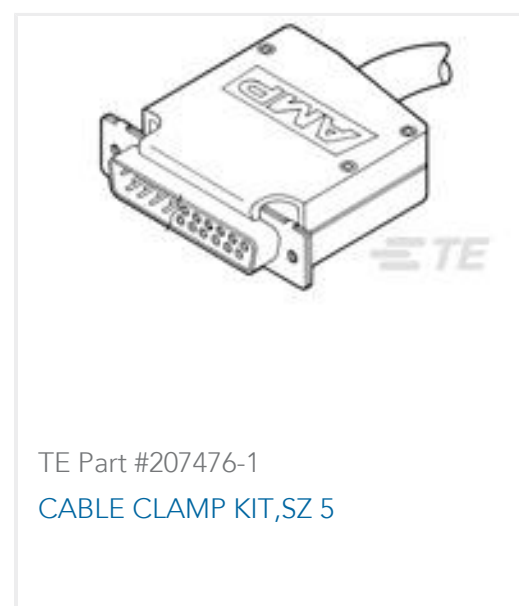
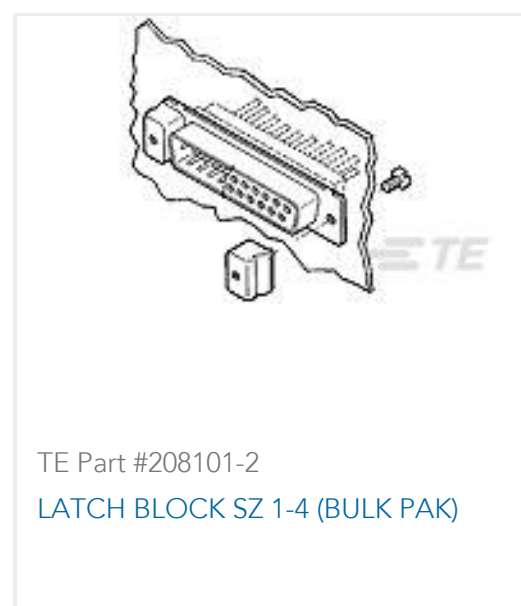
Product Compliance Disclaimer

This information is provided based on reasonable inquiry of our suppliers and represents our current actual knowledge based on the information they provided. This information is subject to change. The part numbers that TE has identified as EU RoHS compliant have a maximum concentration of 0.1% by weight in homogenous materials for lead, hexavalent chromium, mercury, PBB, PBDE, DBP, BBP, DEHP, DIBP, and 0.01% for cadmium, or qualify for an exemption to these limits as defined in the Annexes of Directive 2011/65/EU (RoHS2). Finished electrical and electronic equipment products will be CE marked as required by Directive 2011/65/EU. Components may not be CE marked. Additionally, the part numbers that TE has identified as EU ELV compliant have a maximum concentration of 0.1% by weight in homogenous materials for lead, hexavalent chromium, and mercury, and 0.01% for cadmium, or qualify for an exemption to these limits as defined in the Annexes of Directive 2000/53/EC (ELV). Regarding the REACH Regulation, the information TE provides on SVHC in articles for this part number is based on the latest European Chemicals Agency (ECHA) 'Guidance on requirements for substances in articles' posted at this URL: <https://echa.europa.eu/guidance-documents/guidance-on-reach>

### Compatible Parts

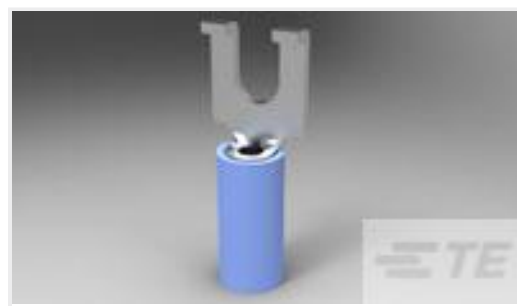


### Customers Also Bought





TE Part #459492-8  
CRIMPER WIRE O



TE Part #2-320861-1  
TERMINAL,PIDG SPD FLG 16-14 6



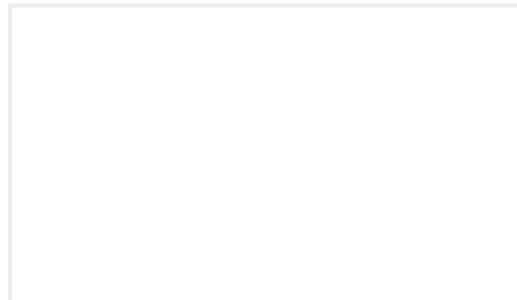
TE Part #32058  
TERMINAL,PIDG SPD 16-14 6



TE Part #152871  
14-12 PIDG R/T 1/4 STUD WHITE



TE Part #1-456404-0  
CRIMPER WIRE .070 F



TE Part #20025712-00  
FX293X-340A-0050-L

## Documents

### Product Drawings

[HDP-20,PLUG,SIZE 5, 50 POSN](#)

English

### CAD Files

Customer View Model

[ENG\\_CVM\\_CVM\\_1658641-1\\_D.2d\\_dxf.zip](#)

English

[3D PDF](#)

3D

Customer View Model

[ENG\\_CVM\\_CVM\\_1658641-1\\_D.3d\\_igs.zip](#)

English

Customer View Model

[ENG\\_CVM\\_CVM\\_1658641-1\\_D.3d\\_stp.zip](#)

English

By downloading the CAD file I accept and agree to the [Terms and Conditions](#) of use.

### Datasheets & Catalog Pages

[AMPLIMITE Subminiature D Connectors - Cable Connectors](#)

English

[AMPLIMITE Cable Connectors and Shielding Hardware Kits QRG](#)

English

### Product Specifications

[Application Specification](#)

English



**Instruction Sheets**

[Instruction Sheet \(U.S.\)](#)

English

---

**Agency Approvals**

[CSA Certificate](#)

English