

165167 ✓ ACTIVE

PLASTI-GRIP

TE Internal #: 165167

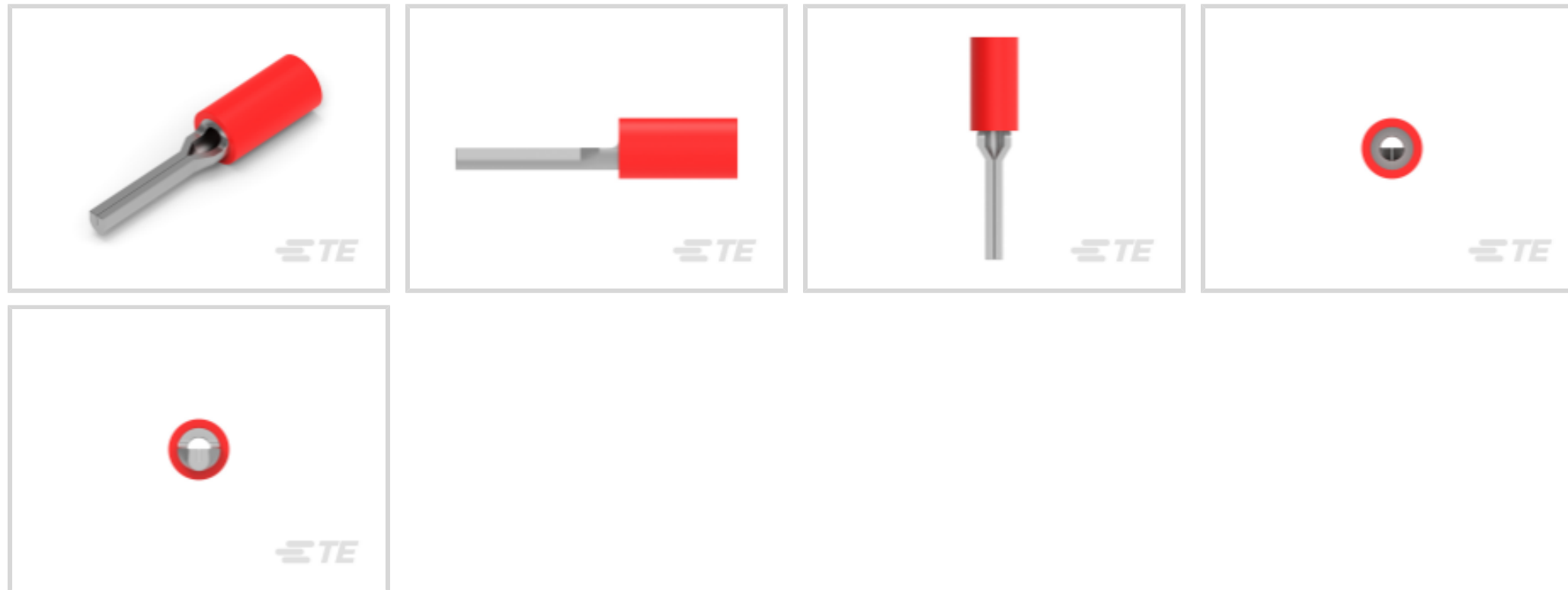
Wire Pin, 1.78 mm [.07 in] Pin Diameter, 22 – 16 AWG, .3 – 1.42 mm²

Wire, 509 – 3260 CMA, Closed Barrel, Tin Plating, PLASTI-GRIP

[View on TE.com >](#)



Terminals & Splices > Crimp Wire Pins, Tabs & Ferrules



Crimp Wire Terminal Type: **Wire Pin**

Mating Pin Diameter: **1.78 mm [.07 in]**

Compatible Insulation Diameter Range: **3.71 mm, 2.67 – 3.36 mm [.146 in, .105 – .14 in]**

Wire Size: **.3 – 1.42 mm²**

Features

Product Type Features

Sealable	No
Compatible With Discrete Wire Type	Stranded
Wire Insulation Support Retention Type	Insulation Support

Configuration Features

Compatible With Wire & Cable Type	Discrete Wire
-----------------------------------	---------------

Body Features

Sleeve Material	PVC
Primary Product Color	Red
Insulation Material	PVC

Contact Features

Contact Mating Area Length	9.9 mm[.39 in]
Contact Fabrication	Stamped & Formed
Crimp Wire Terminal Type	Wire Pin
Mating Pin Diameter	1.78 mm[.07 in]
Barrel Type	Closed



Terminal Plating Material	Tin
Contact Shape & Form	Round
Terminal Orientation	Straight

Mechanical Attachment

Wire Insulation Support	Without
-------------------------	---------

Dimensions

DIN Wire Size	.5 – 1 mm ²
Compatible Insulation Diameter Range	3.71 mm, 2.67 – 3.36 mm [.146 in] [.105 – .14 in]
Wire Size	509 – 3260 CMA
Barrel Inside Diameter	3.7 mm [.145 in]
Terminal Material Thickness	.79 mm [.031 in]
Overall Product Length	23.82 mm [.938 in]

Usage Conditions

Insulation Option	Partially Insulated
-------------------	---------------------

Packaging Features

Packaging Quantity	1000
Packaging Method	Loose Piece

Product Compliance

[For compliance documentation, visit the product page on TE.com>](#)

EU RoHS Directive 2011/65/EU	Compliant
EU ELV Directive 2000/53/EC	Compliant
China RoHS 2 Directive MIIT Order No 32, 2016	No Restricted Materials Above Threshold
EU REACH Regulation (EC) No. 1907/2006	Current ECHA Candidate List: JAN 2025 (247) Candidate List Declared Against: JUNE 2024 (241) Does not contain REACH SVHC
Halogen Content	Not Low Halogen - contains Br or Cl > 900 ppm.
Solder Process Capability	Not applicable for solder process capability

Product Compliance Disclaimer

This information is provided based on reasonable inquiry of our suppliers and represents our current actual knowledge based on the information they provided. This information is subject to change. The part numbers that TE has identified as

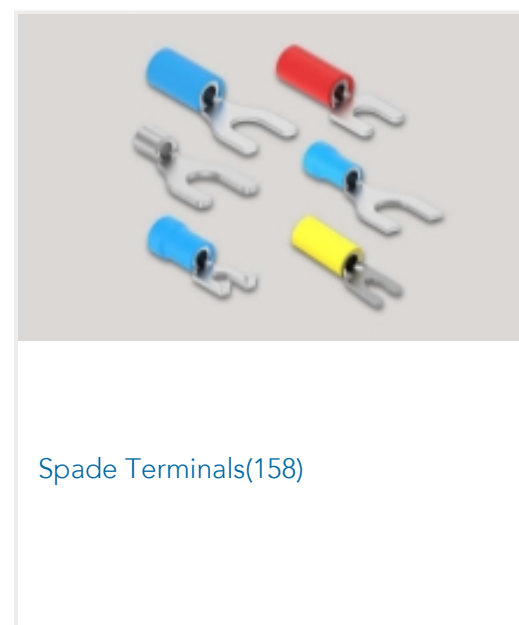
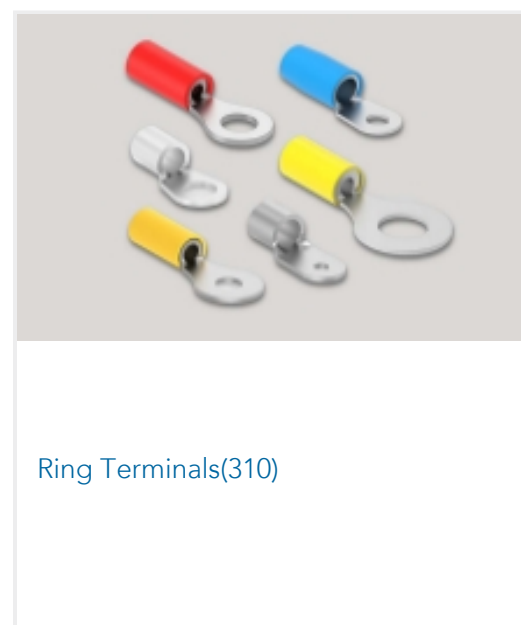
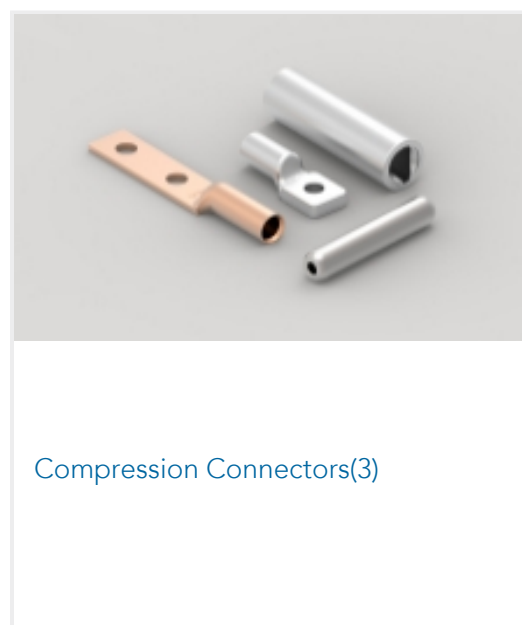


EU RoHS compliant have a maximum concentration of 0.1% by weight in homogenous materials for lead, hexavalent chromium, mercury, PBB, PBDE, DBP, BBP, DEHP, DIBP, and 0.01% for cadmium, or qualify for an exemption to these limits as defined in the Annexes of Directive 2011/65/EU (RoHS2). Finished electrical and electronic equipment products will be CE marked as required by Directive 2011/65/EU. Components may not be CE marked. Additionally, the part numbers that TE has identified as EU ELV compliant have a maximum concentration of 0.1% by weight in homogenous materials for lead, hexavalent chromium, and mercury, and 0.01% for cadmium, or qualify for an exemption to these limits as defined in the Annexes of Directive 2000/53/EC (ELV). Regarding the REACH Regulation, the information TE provides on SVHC in articles for this part number is based on the latest European Chemicals Agency (ECHA) 'Guidance on requirements for substances in articles' posted at this URL: <https://echa.europa.eu/guidance-documents/guidance-on-reach>

Compatible Parts



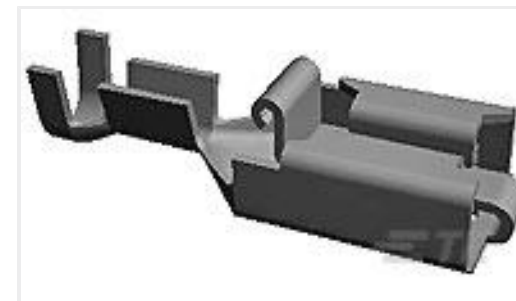
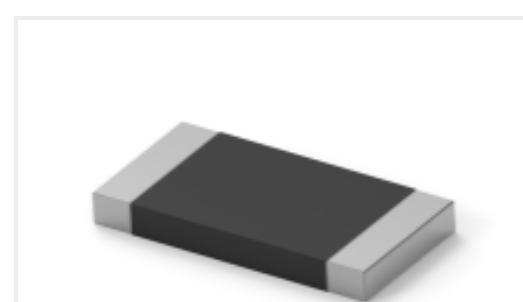
Also in the Series | PLASTI-GRIP





Splices(45)

Customers Also Bought

TE Part #0598034002
MT3000-1/4-0-SPTE Part #205204-9
CRIMP SNAP PLUG ASSY,SIZE 1TE Part #32961
TERMINAL,PG R 16-14 1/4TE Part #154718-7
PL 250 REC TERMINAL 18-14 AWG
PTPPBTE Part #53241-1
PG SPR SPD 22-16COMM 22-18MIL8TE Part #52963-5
TERMINAL,PG SPR SPD 12-10 10TE Part #770335-1
04P .062 COMM P&S RECPTTE Part #925552-1
AM WIRE PIN 20-17 .013 BRTE Part #103957-1
10X2 MTE RCPT SR LATCH .100CLTE Part #8-2176422-1
TLRP 2512 3.0W R004 1% 75PPM 4K RL

Documents

Product Drawings

[PG WIRE PIN 22-16](#)

English

CAD Files

[3D PDF](#)

3D

Customer View Model

[ENG_CVM_CVM_165167_L.2d_dxf.zip](#)



English

Customer View Model

[ENG_CVM_CVM_165167_L.3d_igs.zip](#)

English

Customer View Model

[ENG_CVM_CVM_165167_L.3d_stp.zip](#)

English

3D PDF

English

Customer View Model

[ENG_CVM_165167_B.3d_igs.zip](#)

English

Customer View Model

[ENG_CVM_165167_B.3d_stp.zip](#)

English

Customer View Model

[ENG_CVM_165167_B.2d_dxf.zip](#)

English

By downloading the CAD file I accept and agree to the [Terms and Conditions](#) of use.

Datasheets & Catalog Pages

[PLASTI GRIP_QRG](#)

English

Product Specifications

[Application Specification](#)

English

Instruction Sheets

[Instruction Sheet \(U.S.\)](#)

English

Agency Approvals

[UL Report](#)

English