



AMP | AMP Type III+

TE Internal #: 163081-8

Pin Contact, Tin (Sn), Size 16 Contact Size, 18 – 16 AWG, .75 – 1.5 mm² Wire, Crimp, Brass, Power & Signal, -55 – 90 °C [-67 – 194 °F], AMP Type III+

[View on TE.com >](#)

Connectors > Contacts > Connector Contacts



Contact Type: **Pin**

Contact Mating Area Plating Material: **Tin (Sn)**

Wire Contact Termination Area Plating Material: **Tin**

Contact Retention Within Housing: **With**

Contact Size: **Size 16**

Features

Product Type Features

| | |
|--------------------|----------|
| Discrete Wire Type | Stranded |
|--------------------|----------|

Contact Features

| | |
|---|------------------|
| Contact Underplating Material | Nickel |
| Contact Orientation | Straight |
| Mating Pin Diameter | 1.57 mm[.062 in] |
| Contact Underplating Material Thickness | 1.27 µm[50 µin] |
| Contact Mating Area Plating Material Thickness | 5 µm[197 µin] |
| Wire Contact Termination Area Plating Material Finish | Bright |
| Wire Contact Termination Area Plating Thickness | 5 µm[1.97 µin] |
| Contact Mating Area Plating Material Finish | Bright |
| Contact Type | Pin |
| Contact Mating Area Plating Material | Tin (Sn) |
| Wire Contact Termination Area Plating Material | Tin |
| Contact Retention Within Housing | With |



| | |
|------------------------------|---------|
| Contact Size | Size 16 |
| Contact Base Material | Brass |
| Contact Current Rating (Max) | 13 A |

Termination Features

| | |
|------------------------------------|--------------|
| Termination Method to Wire & Cable | Crimp |
| Product Terminates To | Wire & Cable |

Mechanical Attachment

| | |
|-------------------------|------|
| Wire Insulation Support | With |
|-------------------------|------|

Dimensions

| | |
|--------------------------------------|-----------------------------|
| Compatible Insulation Diameter Range | 2 – 2.5 mm [.078 – .098 in] |
| Wire Size | .75 – 1.5 mm ² |

Usage Conditions

| | |
|-----------------------------|----------------------------|
| Operating Temperature Range | -55 – 90 °C [-67 – 194 °F] |
|-----------------------------|----------------------------|

Operation/Application

| | |
|---------------------|----------------|
| Circuit Application | Power & Signal |
|---------------------|----------------|

Identification Marking

| | |
|--------------------|------|
| Contact Color Code | Blue |
|--------------------|------|

Packaging Features

| | |
|--------------------|------|
| Packaging Quantity | 5000 |
| Packaging Method | Reel |

Product Compliance

[For compliance documentation, visit the product page on TE.com>](#)

| | |
|---|---|
| EU RoHS Directive 2011/65/EU | Compliant |
| EU ELV Directive 2000/53/EC | Compliant |
| China RoHS 2 Directive MIIT Order No 32, 2016 | No Restricted Materials Above Threshold |
| EU REACH Regulation (EC) No. 1907/2006 | Current ECHA Candidate List: JAN 2025 (247) Candidate List Declared Against: JAN 2025 (247) Does not contain REACH SVHC |
| Halogen Content | Low Halogen - Br, Cl, F, I < 900 ppm per homogenous material. Also BFR/CFR/PVC Free |



Solder Process Capability

Not applicable for solder process capability

Product Compliance Disclaimer

This information is provided based on reasonable inquiry of our suppliers and represents our current actual knowledge based on the information they provided. This information is subject to change. The part numbers that TE has identified as EU RoHS compliant have a maximum concentration of 0.1% by weight in homogenous materials for lead, hexavalent chromium, mercury, PBB, PBDE, DBP, BBP, DEHP, DIBP, and 0.01% for cadmium, or qualify for an exemption to these limits as defined in the Annexes of Directive 2011/65/EU (RoHS2). Finished electrical and electronic equipment products will be CE marked as required by Directive 2011/65/EU. Components may not be CE marked. Additionally, the part numbers that TE has identified as EU ELV compliant have a maximum concentration of 0.1% by weight in homogenous materials for lead, hexavalent chromium, and mercury, and 0.01% for cadmium, or qualify for an exemption to these limits as defined in the Annexes of Directive 2000/53/EC (ELV). Regarding the REACH Regulation, the information TE provides on SVHC in articles for this part number is based on the latest European Chemicals Agency (ECHA) 'Guidance on requirements for substances in articles' posted at this URL: <https://echa.europa.eu/guidance-documents/guidance-on-reach>

Compatible Parts



TE Part # 2151023-1
OCEAN_2.0_Applicator-S-080F1200-RSM



TE Part # 91505-1
CCII TYPE III+ 24-16 ASSY



TE Part # 58495-1
PRO CRIMPER ASSY MULTIMATE



TE Part # 7-2151023-7
OCEAN_2.0_SPARE_PART_KIT-080F1200



TE Part # 2305570-1
Strip Terminal Cutter-Side Feed-No Crimp



TE Part # 58495-2
PROCRIMPER DIE ASSY MULTIMATE



TE Part # 539972-1
EXTRACTION TOOL



TE Part # 5-2151023-1
OCEAN_2.0_Applicator-S-080F1200-RSM



TE Part # 200893-2
INSERTION TOOL CONT



TE Part # 5-2151023-2
OCEAN_2.0_Applicator-S-080F1200-RSA



TE Part # 2151023-2
OCEAN_2.0_Applicator-S-080F1200-RSA

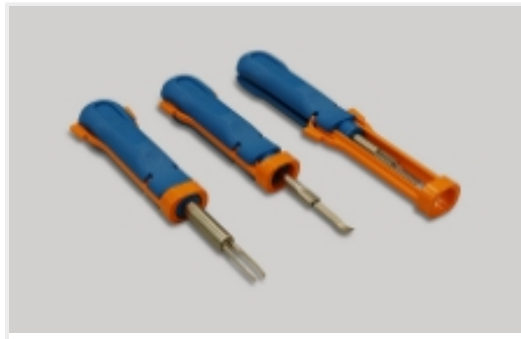


TE Part # 305183
EXTRACT TOOL TYPE 2 20-16

Also in the Series | **AMP Type III+**



Connector Contacts(365)



Insertion & Extraction Tools(4)



Power Contacts(365)

Customers Also Bought



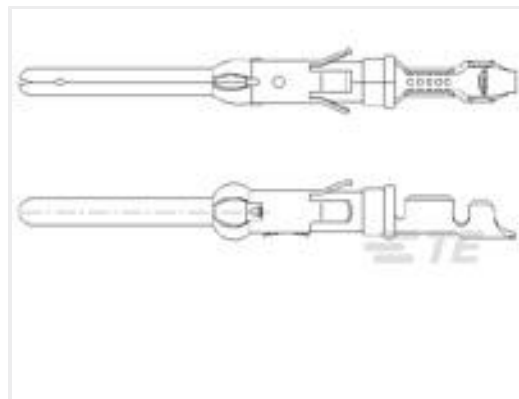
TE Part #CAT-T4827-CH8172
Timer Connector Housing



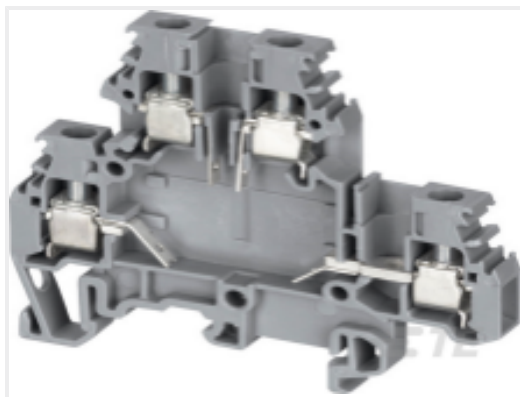
TE Part #206151-3
CPC RECPT SEALED SIZE 23-37



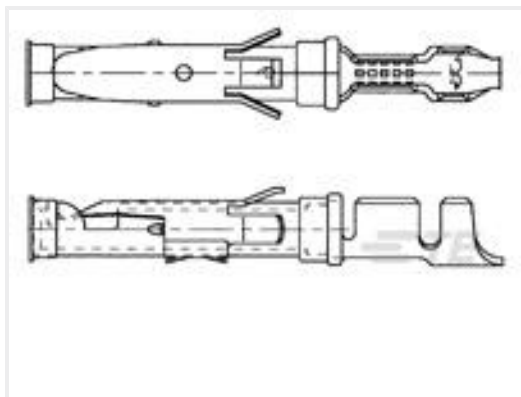
TE Part #CAT-AM705-T273
AMP MCP, RECEPTACLE AND TAB



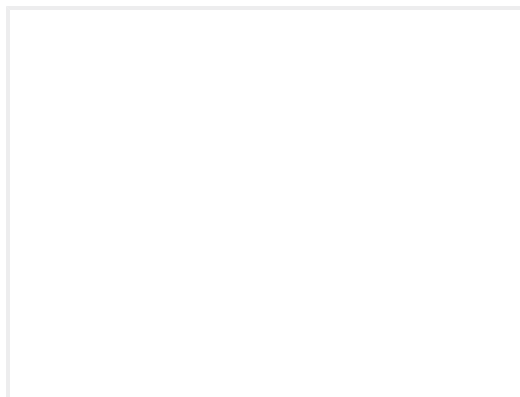
TE Part #163085-8
.062 DIA PIN ASS 3+



TE Part #1SNA115185R0500
M4/6.DE



TE Part #163083-1
.062 DIA SOC ASS 3+



TE Part #690125-1
SHIM SUB-ASSY



TE Part #690124-1
WASHER, RAM (.1150 THK.)

Documents

CAD Files

[3D PDF](#)

[3D](#)

Customer View Model

[ENG_CVM_CVM_163081-8_BA.2d_dxf.zip](#)

English

Customer View Model

[ENG_CVM_CVM_163081-8_BA.3d_igs.zip](#)

English

Customer View Model

[ENG_CVM_CVM_163081-8_BA.3d_stp.zip](#)

English

By downloading the CAD file I accept and agree to the [Terms and Conditions](#) of use.

Product Specifications

[Product Specification](#)

English

163081-8

Pin Contact, Tin (Sn), Size 16 Contact Size, 18 – 16 AWG, .75 – 1.5 mm² Wire, Crimp,
Brass, Power & Signal, -55 – 90 °C [-67 – 194 °F], AMP Type III+

