



CGS | CGS SQ

TE Internal #: 1623793-1

10K ohm, Through-Hole Power Resistor, Metal Oxide / Wire Wound, 5 W, 5 %, ±300 ppm/°C, Axial-Leaded, Copper Termination, 22 x 10 x 9 mm, CGS SQ

[View on TE.com >](#)

Passive Components > Resistors > Through-Hole Resistors > Wirewound Resistor: Horizontal Mount



Resistance Value: 10K Ω

Resistor Type: Power Resistor

Element Type: Metal Oxide, Wire Wound

Power Rating: 5 W

Resistance Class: 1kΩ – 1MΩ

[All Wirewound Resistor: Horizontal Mount \(156\)](#)

## Features

### Product Type Features

Resistor Type	Power Resistor
Element Type	Metal Oxide, Wire Wound

### Configuration Features

Number of Resistors	1
---------------------	---

### Electrical Characteristics

Operating Voltage	350 V
Resistance Value	10K Ω
Power Rating	5 W
Resistance Class	1kΩ – 1MΩ
Passive Component Tolerance	5 %

### Body Features

Lead Type	Axial-Leaded
-----------	--------------

### Termination Features

Termination Area Base Material	Copper
Number of Terminations	2

### Dimensions

--	--

Passive Component Dimensions	22 x 10 x 9 mm
------------------------------	----------------

### Usage Conditions

Operating Temperature Range	-55 – 250 °C
Temperature Coefficient	±300 ppm/°C

### Packaging Features

Packaging Method	Loose Piece - Box
------------------	-------------------

### Product Compliance

[For compliance documentation, visit the product page on TE.com>](#)

EU RoHS Directive 2011/65/EU	Compliant
EU ELV Directive 2000/53/EC	Compliant
China RoHS 2 Directive MIIT Order No 32, 2016	No Restricted Materials Above Threshold
EU REACH Regulation (EC) No. 1907/2006	Current ECHA Candidate List: JAN 2025 (247) Candidate List Declared Against: JAN 2025 (247) Does not contain REACH SVHC
Halogen Content	Low Halogen - Br, Cl, F, I < 900 ppm per homogenous material. Also BFR/CFR/PVC Free
Solder Process Capability	Wave solder capable to 265°C

#### Product Compliance Disclaimer

This information is provided based on reasonable inquiry of our suppliers and represents our current actual knowledge based on the information they provided. This information is subject to change. The part numbers that TE has identified as EU RoHS compliant have a maximum concentration of 0.1% by weight in homogenous materials for lead, hexavalent chromium, mercury, PBB, PBDE, DBP, BBP, DEHP, DIBP, and 0.01% for cadmium, or qualify for an exemption to these limits as defined in the Annexes of Directive 2011/65/EU (RoHS2). Finished electrical and electronic equipment products will be CE marked as required by Directive 2011/65/EU. Components may not be CE marked. Additionally, the part numbers that TE has identified as EU ELV compliant have a maximum concentration of 0.1% by weight in homogenous materials for lead, hexavalent chromium, and mercury, and 0.01% for cadmium, or qualify for an exemption to these limits as defined in the Annexes of Directive 2000/53/EC (ELV). Regarding the REACH Regulation, the information TE provides on SVHC in articles for this part number is based on the latest European Chemicals Agency (ECHA) 'Guidance on requirements for substances in articles' posted at this URL: <https://echa.europa.eu/guidance-documents/guidance-on-reach>

### Compatible Parts



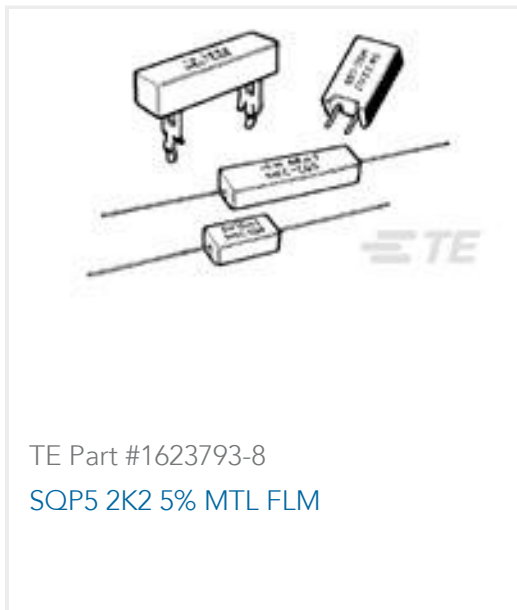
TE Part # CAT-C339-SQ1  
Wirewound Resistor: Vertical Mount

### Also in the Series | CGS SQ



Through-Hole Resistors(659)

### Customers Also Bought



TE Part #1623793-8  
SQP5 2K2 5% MTL FLM



TE Part #CAT-C339-SM1  
SMD Power Resistor: 7 Watt, 200-2M Ohm



TE Part #1-1462039-8  
IM06DGR=IM RELAY 140mW 12V



TE Part #2227302-1  
CAGE ASSY, PRESS FIT, SFP



TE Part #1-2176330-1  
CRGP 2010 68R 1%



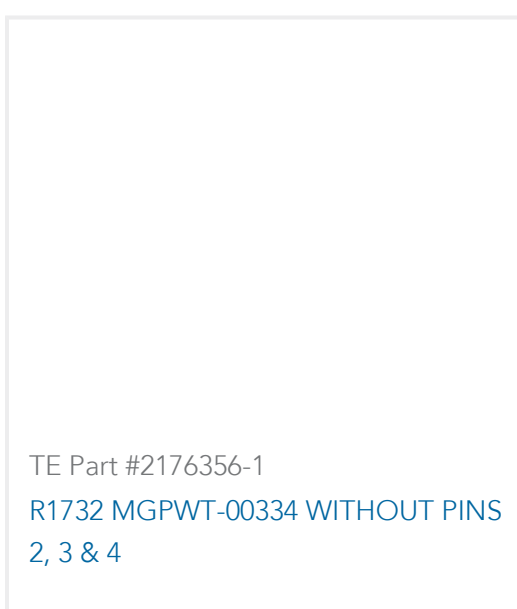
TE Part #1986377-1  
CPC PSTD RCPT,13-7, rev sex



TE Part #ES53774001  
EVDW-12/4-3-SP



TE Part #7-1393127-3  
PRD-3AH0-120=PRD



TE Part #2176356-1  
R1732 MGPWT-00334 WITHOUT PINS 2, 3 & 4



## Documents

### Product Drawings

[SQP5 10K 5% MTL FLM](#)

English

---

### Datasheets & Catalog Pages

[4-1773460-6\\_RESISTIVE\\_SOLUTIONS\\_RAIL](#)

English

[1309350\\_PASSIVE\\_COMPONENT](#)

English

[8-1773459-4\\_POWER\\_FILTERING\\_AND\\_RESISTIVE\\_SOLUTIONS\\_FOR\\_ELEVATORS\\_AND\\_ESCALATORS](#)

English

[High Power Resistors - Type SQ Series](#)

English