

1612122-1 ✓ ACTIVE

AMP | AMP Auto Squib Products

TE Internal #: 1612122-1

Yellow, Locking Device, PBT GF30, AMP Auto Squib Products

[View on TE.com >](#)



Connectors > Automotive Connectors > Automotive Connector Accessories > Automotive Connector Locks & Position Assurance



Primary Product Color: **Yellow**

Connector & Contact Retention Accessory Type: **Locking Device**

Primary Product Material: **PBT GF30**

## Features

### Product Type Features

Sealable	No
Connector & Contact Retention Accessory Type	Locking Device

### Body Features

Primary Product Color	Yellow
Primary Product Material	PBT GF30

### Industry Standards

UL Flammability Rating	UL 94HB
------------------------	---------

### Packaging Features

Packaging Method	Bag
Packaging Quantity	500

### Other

Serviceable	Yes
-------------	-----

## Product Compliance

[For compliance documentation, visit the product page on TE.com>](#)

EU RoHS Directive 2011/65/EU	Compliant
EU ELV Directive 2000/53/EC	Compliant
China RoHS 2 Directive MIIT Order No 32, 2016	No Restricted Materials Above Threshold
EU REACH Regulation (EC) No. 1907/2006	Current ECHA Candidate List: JAN 2025 (247) Candidate List Declared Against: JAN 2025 (247)



Does not contain REACH SVHC

Halogen Content

BFR/CFR/PVC Free, but Br/Cl >900 ppm in other sources.

Solder Process Capability

Not applicable for solder process capability

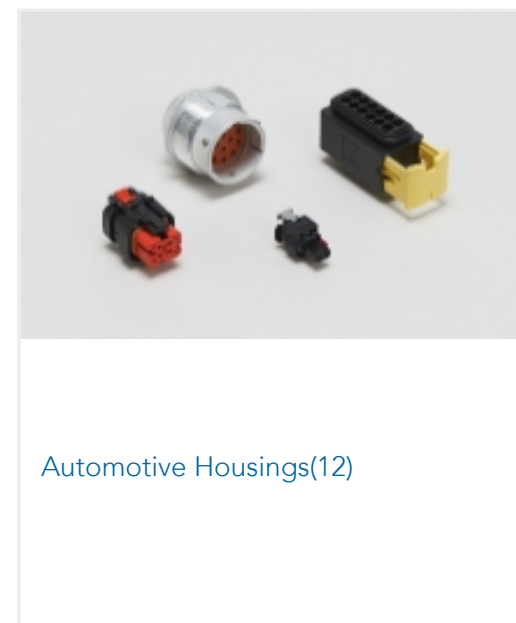
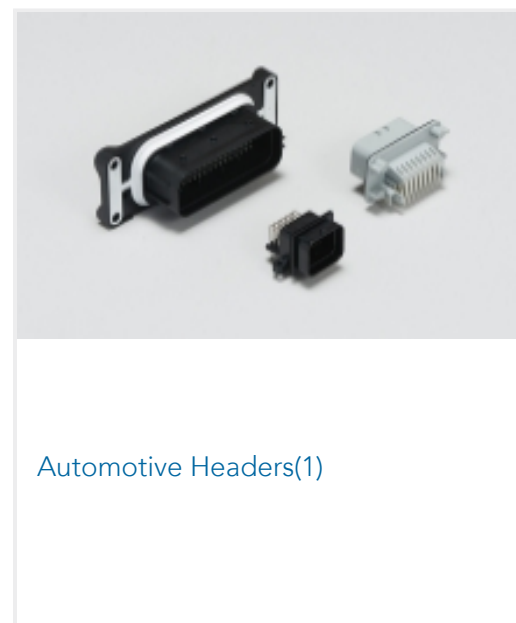
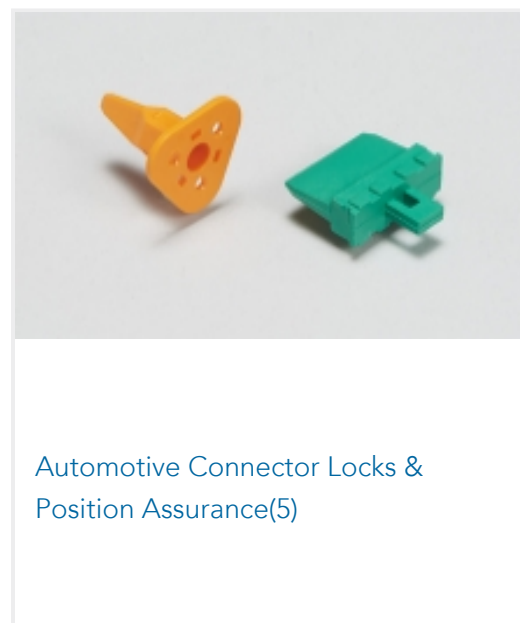
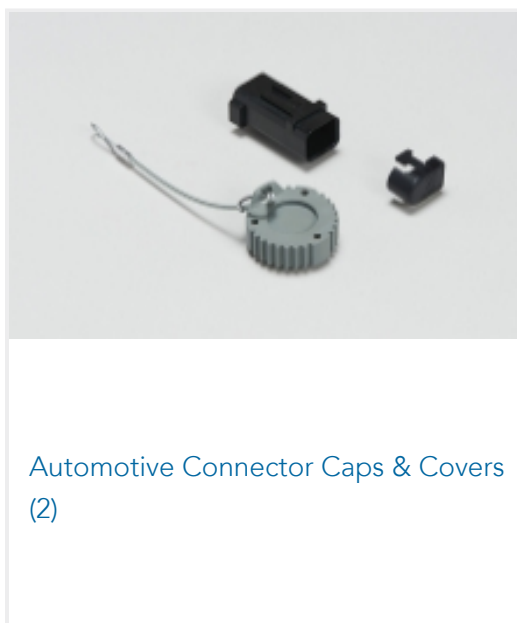
Product Compliance Disclaimer

This information is provided based on reasonable inquiry of our suppliers and represents our current actual knowledge based on the information they provided. This information is subject to change. The part numbers that TE has identified as EU RoHS compliant have a maximum concentration of 0.1% by weight in homogenous materials for lead, hexavalent chromium, mercury, PBB, PBDE, DBP, BBP, DEHP, DIBP, and 0.01% for cadmium, or qualify for an exemption to these limits as defined in the Annexes of Directive 2011/65/EU (RoHS2). Finished electrical and electronic equipment products will be CE marked as required by Directive 2011/65/EU. Components may not be CE marked. Additionally, the part numbers that TE has identified as EU ELV compliant have a maximum concentration of 0.1% by weight in homogenous materials for lead, hexavalent chromium, and mercury, and 0.01% for cadmium, or qualify for an exemption to these limits as defined in the Annexes of Directive 2000/53/EC (ELV). Regarding the REACH Regulation, the information TE provides on SVHC in articles for this part number is based on the latest European Chemicals Agency (ECHA) 'Guidance on requirements for substances in articles' posted at this URL: <https://echa.europa.eu/guidance-documents/guidance-on-reach>

### Compatible Parts

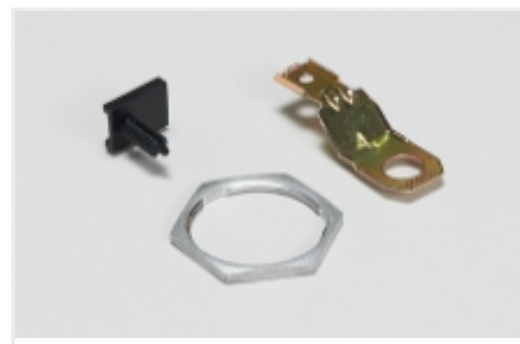


### Also in the Series | AMP Auto Squib Products

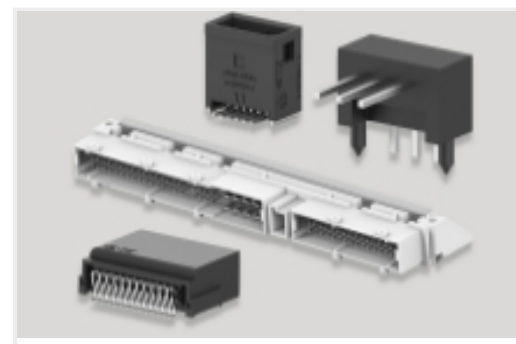




Connector Contacts(1)



Other Automotive Connector Accessories(19)

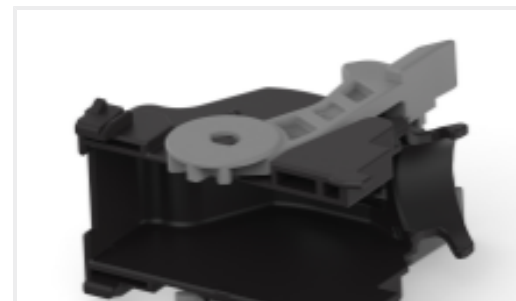
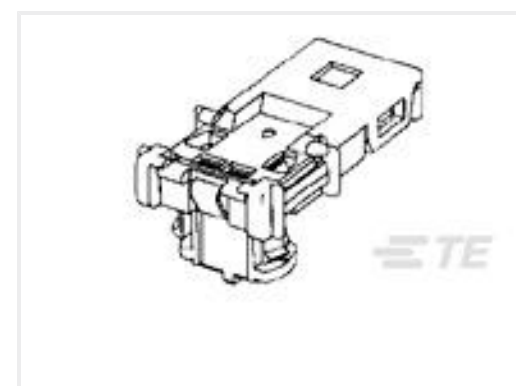


PCB Headers &amp; Receptacles(1)



Power Contacts(1)

## Customers Also Bought

TE Part #851565-000  
ES2000-NO.4-B7-0-45MMTE Part #316832-1  
040-3 SEALED CONT. REC. STE Part #2367837-1  
REC CONN CVR ASSY,84POS,0.5  
SERIES,TYPE2TE Part #2208746-1  
28POS MQS RECTE Part #CAT-T319-CH8172  
TH/.025 CONNECTOR SYSTEM,  
HOUSINGTE Part #2367826-4  
84POS,0.5 SERIES,REC HSG ASSY,SLDTE Part #1612124-8  
1DIA SOCKET AUTE Part #1473139-1  
SQUIB 11DIA MK-2 PLUG HSGTE Part #581913P020  
QS1500-NO.2-F6-0-STK

## Documents

### Product Drawings

SQUIB LOCKING BUTTON

Japanese

### CAD Files

Customer View Model

[ENG\\_CVM\\_CVM\\_1612122-1\\_C.2d\\_dxf.zip](#)

English

[3D PDF](#)



3D

Customer View Model

[ENG\\_CVM\\_CVM\\_1612122-1\\_C.3d\\_igs.zip](#)

English

Customer View Model

[ENG\\_CVM\\_CVM\\_1612122-1\\_C.3d\\_stp.zip](#)

English

By downloading the CAD file I accept and agree to the [Terms and Conditions](#) of use.

---

### Product Specifications

[CRIMPING SOCKET CONTACT FOR 1MM PIN](#)

Japanese

[11DIA SQUIB CONNECTOR COMPACT TYPE](#)

Japanese

[SQUIB Connector 11DIA](#)

Japanese

[Product Specification](#)

Japanese

[SQUIB Connector 11DIA](#)

Japanese

[Product Specification](#)

Japanese

---

### Instruction Sheets

[Instruction Sheet \(non U.S.\)](#)

Japanese