



**Crimband Splices**

TE Internal #: 1601953-1

Pigtail Splice, 14 – 10 AWG / 20 – 1 AWG, .81 – 2.3 mm<sup>2</sup> / 2 – 5.6 mm<sup>2</sup> Wire, 8 Splice Capacity, Serrated, Crimband Splices

[View on TE.com >](#)

Terminals & Splices > Splices



Splice Type: **Pigtail Splice**

Wire Size: **2 – 5.6 mm<sup>2</sup>, .81 – 2.3 mm<sup>2</sup>**

Sealable: **No**

Splice Capacity: **8**

**Features**

**Product Type Features**

Splice Type	Pigtail Splice
Sealable	No
Compatible With Discrete Wire Type	Magnet Wire & Lead Wire, Solid, Stranded

**Configuration Features**

Strip Orientation	End Feed
Splice Capacity	8
Number of Serrations	13
Compatible With Wire & Cable Type	Discrete Wire

**Electrical Characteristics**

Operating Voltage	250 V
-------------------	-------

**Body Features**

Product Weight	1.25 g
Splice Features	Serrated

**Contact Features**

Terminal Plating Material	Tin
---------------------------	-----



Contact Base Material	Brass
-----------------------	-------

Barrel Type	Open
-------------	------

### Termination Features

Termination Method to Wire & Cable	Crimp
------------------------------------	-------

### Mechanical Attachment

Wire Insulation Support	Without
-------------------------	---------

### Dimensions

Product Width	10.36 mm[.408 in]
---------------	-------------------

Wire Size	1000 – 9000 CMA, 4000 – 11000 CMA
-----------	-----------------------------------

Compatible Insulation Diameter Range	1.62 – 2.58 mm, 3.26 – 4.36 mm[.128 – .171 in][.064 – .101 in]
--------------------------------------	--

Terminal Material Thickness	.64 mm[.025 in]
-----------------------------	-----------------

Product Length	10.36 mm[.408 in]
----------------	-------------------

### Usage Conditions

Insulation Option	Uninsulated
-------------------	-------------

Operating Temperature Range	-65 – 150 °C[-85 – 302 °F]
-----------------------------	----------------------------

### Operation/Application

Compatible With Wire Base Material	Copper
------------------------------------	--------

### Industry Standards

Government Qualified Splice	No
-----------------------------	----

### Packaging Features

Packaging Quantity	1000
--------------------	------

Packaging Method	Strip
------------------	-------

### Product Compliance

[For compliance documentation, visit the product page on TE.com>](#)

EU RoHS Directive 2011/65/EU	Compliant
------------------------------	-----------

EU ELV Directive 2000/53/EC	Compliant
-----------------------------	-----------

China RoHS 2 Directive MIIT Order No 32, 2016	No Restricted Materials Above Threshold
---	---

EU REACH Regulation (EC) No. 1907/2006	Current ECHA Candidate List: JAN 2025 (247) Candidate List Declared Against: JAN 2025 (247) Does not contain REACH SVHC
--	---



Halogen Content	Low Halogen - Br, Cl, F, I < 900 ppm per homogenous material. Also BFR/CFR/PVC Free
-----------------	---

Solder Process Capability	Not applicable for solder process capability
---------------------------	--

**Product Compliance Disclaimer**

This information is provided based on reasonable inquiry of our suppliers and represents our current actual knowledge based on the information they provided. This information is subject to change. The part numbers that TE has identified as EU RoHS compliant have a maximum concentration of 0.1% by weight in homogenous materials for lead, hexavalent chromium, mercury, PBB, PBDE, DBP, BBP, DEHP, DIBP, and 0.01% for cadmium, or qualify for an exemption to these limits as defined in the Annexes of Directive 2011/65/EU (RoHS2). Finished electrical and electronic equipment products will be CE marked as required by Directive 2011/65/EU. Components may not be CE marked. Additionally, the part numbers that TE has identified as EU ELV compliant have a maximum concentration of 0.1% by weight in homogenous materials for lead, hexavalent chromium, and mercury, and 0.01% for cadmium, or qualify for an exemption to these limits as defined in the Annexes of Directive 2000/53/EC (ELV). Regarding the REACH Regulation, the information TE provides on SVHC in articles for this part number is based on the latest European Chemicals Agency (ECHA) 'Guidance on requirements for substances in articles' posted at this URL: <https://echa.europa.eu/guidance-documents/guidance-on-reach>

## Compatible Parts



TE Part # 2378104-1  
PS-20 TERMINATOR, 400V



TE Part # 1601481-1  
.059X.032TAB,LH,WELD TERM



TE Part # 2368878-1  
POWER SPLICE APPLICATOR



TE Part # 2378104-2  
PS-20 TERMINATOR, 200V



TE Part # 1601480-1  
.059X.032TAB,RH,WELD TERM

## Also in the Series | Crimpband Splices



Splices(3)

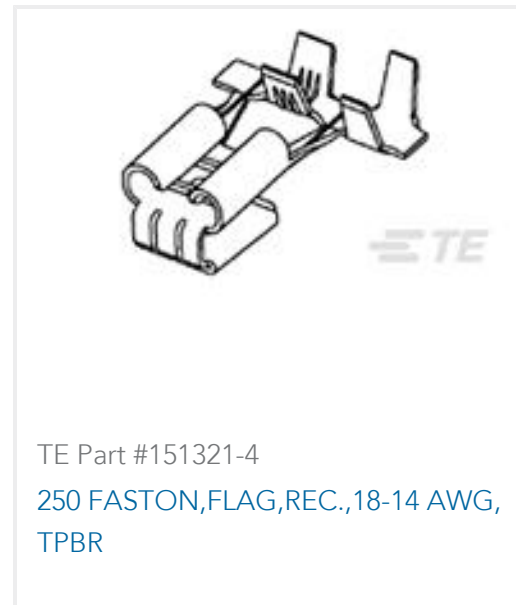
## Customers Also Bought



TE Part #1-2232263-3  
PTL 1X4 CAP PANEL MT HOT WIRE  
KEYA BLK



TE Part #CAT-AM74-AM74L  
AMPOWER Parallel Splice



TE Part #151321-4  
250 FASTON, FLAG, REC., 18-14 AWG,  
TPBR



TE Part #50981  
TERMINAL, SOLIS R 16-14 1/2



TE Part #52420-3  
TERMINAL, PIDG SPR SPD 16-14 6



TE Part #2-322996-1  
TERMINAL, SOLIS SPD 16-14 6



TE Part #1971784-2  
PTL TAB CONTACT, 16-19 AWG, 2X22  
AWG



TE Part #2-1971777-4  
PTL TPA HWI 1X4 NATURAL

## Documents

### Product Drawings

[111-000-001=SPLICE TERMINAL](#)

English

### CAD Files

[3D PDF](#)

English

Customer View Model

[ENG\\_CVM\\_1601953-1\\_A2.3d\\_igs.zip](#)

English

Customer View Model

[ENG\\_CVM\\_1601953-1\\_A2.3d\\_stp.zip](#)

English

Customer View Model

[ENG\\_CVM\\_1601953-1\\_A2.2d\\_dxf.zip](#)

English

[3D PDF](#)

3D

Customer View Model

[ENG\\_CVM\\_CVM\\_1601953-1\\_D.2d\\_dxf.zip](#)

English

Customer View Model

[ENG\\_CVM\\_CVM\\_1601953-1\\_D.3d\\_igs.zip](#)

English

Customer View Model



[ENG\\_CVM\\_CVM\\_1601953-1\\_D.3d\\_stp.zip](#)

English

By downloading the CAD file I accept and agree to the [Terms and Conditions](#) of use.

---

[Datasheets & Catalog Pages](#)

[Magnet Wire Terminals & Splices](#)

English

---

[Product Specifications](#)

[Application Specification](#)

English