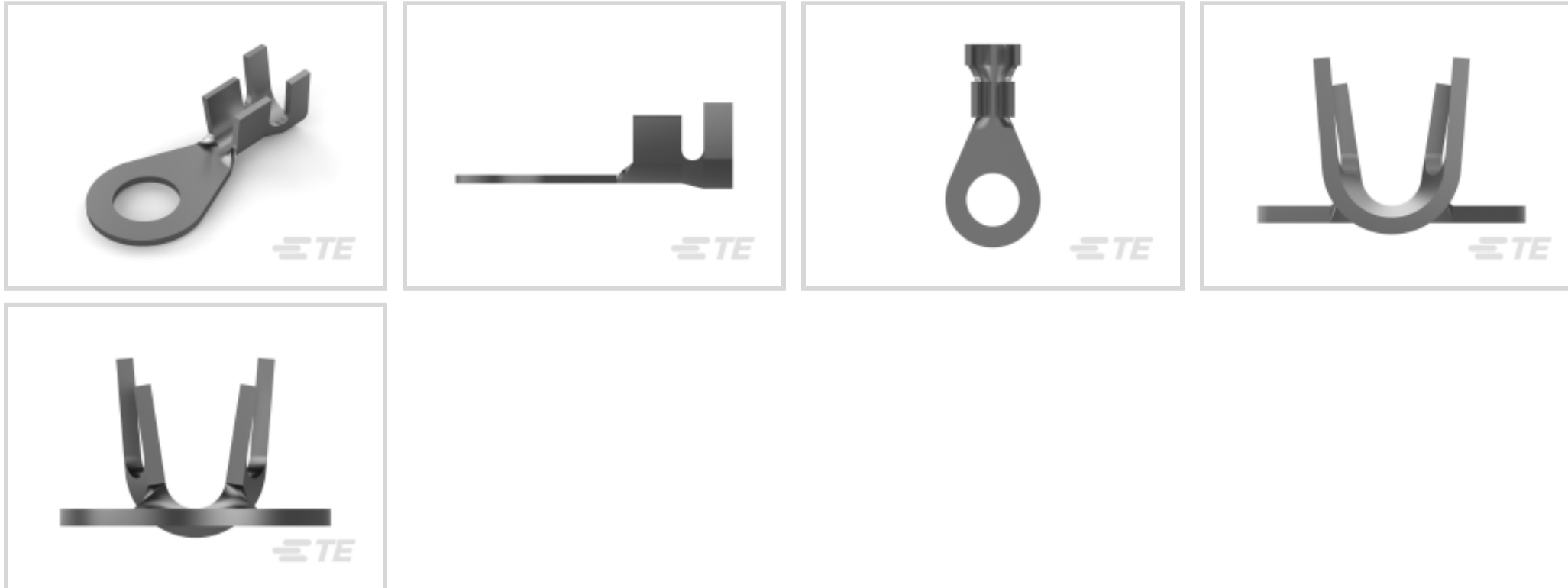




Terminals & Splices > Ring Terminals



Ring Terminal Product Type: Closed Ring Tongue Terminal

Wire Size: 6529 – 10382 CMA

Stud Size: M6

Features

Product Type Features

Shape Description	Circular/Oval
Ring Terminal Product Type	Closed Ring Tongue Terminal
Stud Size	M6
Sealable	No
Compatible With Discrete Wire Type	Stranded
Wire Insulation Support Retention Type	Insulation Support

Configuration Features

Number of Holes	1
-----------------	---

Body Features

Product Weight	.185 g
----------------	--------

Contact Features

Contact Base Material	Brass
Barrel Type	Open
Terminal Orientation	Straight
Terminal Plating Material	Tin
Contact Underplating Material	None



Mechanical Attachment

Wire Insulation Support	With
-------------------------	------

Dimensions

	.15 in
Wire Size	6529 – 10382 CMA
Stud Diameter	6.6 mm [.26 in]
Tongue Thickness	.76 mm [.03 in]
Product Length	20.57 mm [.81 in]
Barrel Inside Diameter	2.66 mm, 4.44 mm [.105 in] [.175 in]
Compatible Insulation Diameter (Max)	5.31 mm [.209 in]
Compatible Insulation Diameter Range	3.8 – 5.3 mm [.15 – .209 in]

Usage Conditions

Insulation Option	Uninsulated
Operating Temperature Range	-40 – 110 °C [-40 – 230 °F]

Operation/Application

Compatible With Wire Base Material	Copper
------------------------------------	--------

Industry Standards

Government Qualified Terminal	No
-------------------------------	----

Packaging Features

Packaging Quantity	1000
Packaging Method	Strip/Reel

Product Compliance

[For compliance documentation, visit the product page on TE.com>](#)

EU RoHS Directive 2011/65/EU	Compliant
EU ELV Directive 2000/53/EC	Compliant
China RoHS 2 Directive MIIT Order No 32, 2016	No Restricted Materials Above Threshold
EU REACH Regulation (EC) No. 1907/2006	Current ECHA Candidate List: JAN 2025 (247) Candidate List Declared Against: JAN 2025 (247) Does not contain REACH SVHC
Halogen Content	Low Halogen - Br, Cl, F, I < 900 ppm per homogenous material. Also BFR/CFR/PVC

Free

Solder Process Capability

Not applicable for solder process capability

Product Compliance Disclaimer

This information is provided based on reasonable inquiry of our suppliers and represents our current actual knowledge based on the information they provided. This information is subject to change. The part numbers that TE has identified as EU RoHS compliant have a maximum concentration of 0.1% by weight in homogenous materials for lead, hexavalent chromium, mercury, PBB, PBDE, DBP, BBP, DEHP, DIBP, and 0.01% for cadmium, or qualify for an exemption to these limits as defined in the Annexes of Directive 2011/65/EU (RoHS2). Finished electrical and electronic equipment products will be CE marked as required by Directive 2011/65/EU. Components may not be CE marked. Additionally, the part numbers that TE has identified as EU ELV compliant have a maximum concentration of 0.1% by weight in homogenous materials for lead, hexavalent chromium, and mercury, and 0.01% for cadmium, or qualify for an exemption to these limits as defined in the Annexes of Directive 2000/53/EC (ELV). Regarding the REACH Regulation, the information TE provides on SVHC in articles for this part number is based on the latest European Chemicals Agency (ECHA) 'Guidance on requirements for substances in articles' posted at this URL: <https://echa.europa.eu/guidance-documents/guidance-on-reach>

Compatible Parts



TE Part # 280267-2
COSSE RONDE 12 10



KIT
REPRESENTATION ONLY

TE Part # 7-2150066-7
OCEAN_2.0_SPARE_PART_KIT-180F250F



TE Part # 280261-2
OPEN BARREL RINGTON



TE Part # 280268-2
RING TONGUE 4-6MM2 0.0276X0.650 TPBR




TE Part # 160548-2
RING TONGUE 22-20 AWG .0120 X .290 PTPBR



TE Part # 2150066-2
OCEAN_2.0_Applicator-E-180F250F-REA

Customers Also Bought



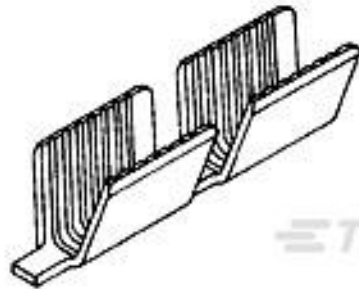
TE Part #1742858-1
TAB, PLAIN, 187 MAG-MATE SLIM



TE Part #61233-1
.156 MNL SOK 12-10 PTPBR



TE Part #2-324955-1
TERMINAL,SOLIS R 16-14 8



TE Part #62001-2
SPLICE AMVAR 3000-7000 020TPBR



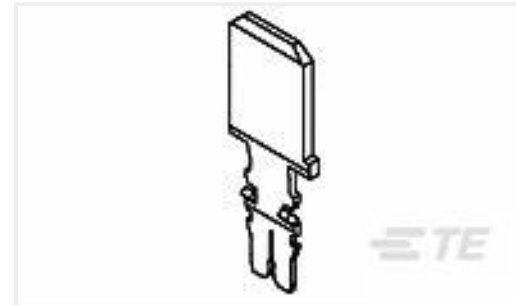
TE Part #61086-1
.156 MNL PIN 20-14 PTPBR



TE Part #63458-1
MAG-MATE POKE-IN TAB 020 PTPBR



TE Part #62898-1
MAG-MATE POKE-IN TAB 020 TPBR



TE Part #1742857-1
TAB, PLAIN, 187 MAG-MATE SLIM



TE Part #160252-2
RING TONGUE IS AUTOMATIC 0.5-
1.43MM2TPBR



TE Part #2176805-1
BLIND PLUG, MINI SUPER SEAL
CAVITY

Documents

Product Drawings

RING TONGUE IS 3.1-5.3 MM2 TPBR

English

CAD Files

3D PDF

3D

Customer View Model

[ENG_CVM_CVM_160181-2_N.2d_dxf.zip](#)

English

Customer View Model

[ENG_CVM_CVM_160181-2_N.3d_igs.zip](#)

English

Customer View Model

[ENG_CVM_CVM_160181-2_N.3d_stp.zip](#)

English

By downloading the CAD file I accept and agree to the [Terms and Conditions](#) of use.

Product Specifications

Product Specification

English

Product Specification

English

Product Specification

English