

160101-2 ✓ ACTIVE

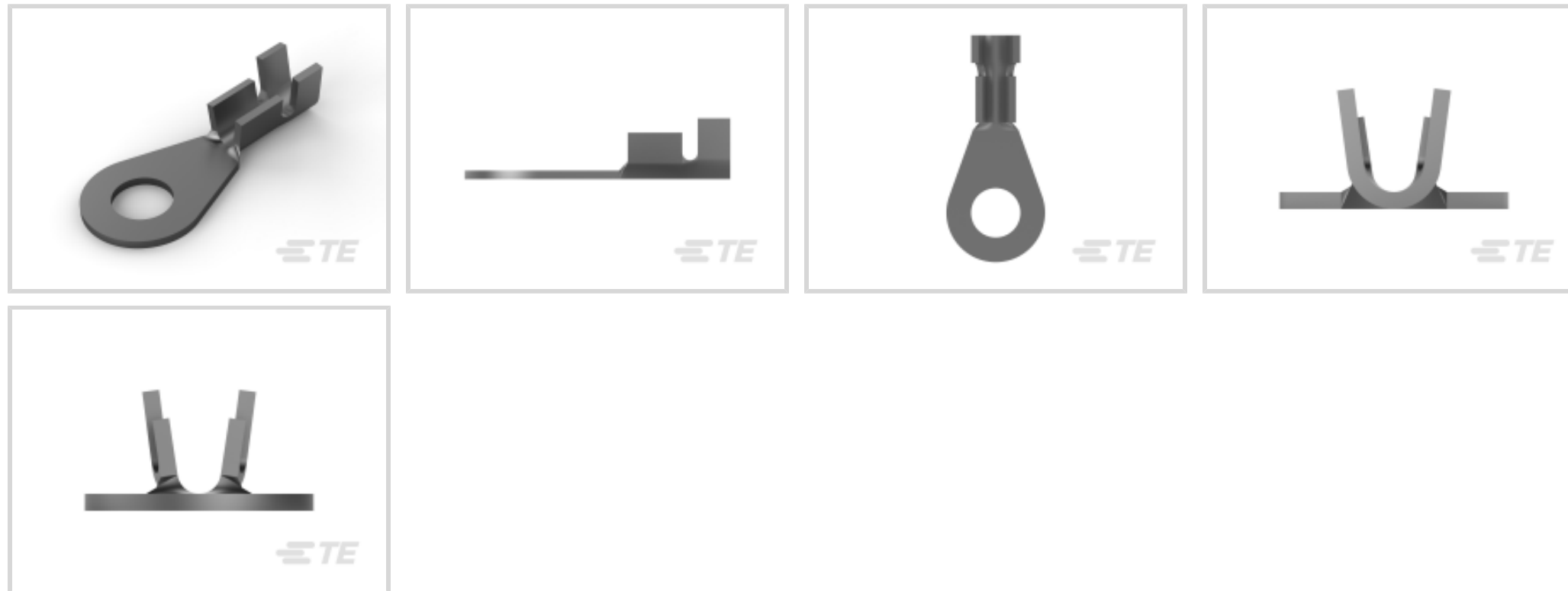
TE Internal #: 160101-2

Closed Ring Tongue Terminal, 20 – 16 AWG, #8 / M4 Stud, 4.3 mm
[.169 in] Stud Diameter, Open Barrel, Straight, Tin Plating,
Uninsulated

[View on TE.com >](#)



Terminals & Splices > Ring Terminals



Ring Terminal Product Type: **Closed Ring Tongue Terminal**

Wire Size: **1021 – 2582 CMA**

Stud Size: **#8, M4**

Features

Product Type Features

| | |
|--|-----------------------------|
| Shape Description | Circular/Oval |
| Ring Terminal Product Type | Closed Ring Tongue Terminal |
| Stud Size | #8, M4 |
| Sealable | No |
| Compatible With Discrete Wire Type | Stranded |
| Wire Insulation Support Retention Type | Insulation Support |

Configuration Features

| | |
|-----------------|---|
| Number of Holes | 1 |
|-----------------|---|

Body Features

| | |
|----------------|--------|
| Product Weight | .626 g |
|----------------|--------|

Contact Features

| | |
|-------------------------------|----------|
| Contact Base Material | Brass |
| Barrel Type | Open |
| Terminal Orientation | Straight |
| Terminal Plating Material | Tin |
| Contact Underplating Material | None |



Mechanical Attachment

| | |
|-------------------------|------|
| Wire Insulation Support | With |
|-------------------------|------|

Dimensions

| | |
|--------------------------------------|-------------------------------------|
| | .08 in |
| Wire Size | 1021 – 2582 CMA |
| Stud Diameter | 4.3 mm [.169 in] |
| Tongue Thickness | .76 mm [.03 in] |
| Product Length | 19.81 mm [.78 in] |
| Barrel Inside Diameter | 1.65 mm, 2.28 mm [.065 in] [.09 in] |
| Compatible Insulation Diameter (Max) | 3.05 mm [.12 in] |
| Compatible Insulation Diameter Range | 2.03 – 3.04 mm [.08 – .12 in] |

Usage Conditions

| | |
|-----------------------------|-----------------------------|
| Insulation Option | Uninsulated |
| Operating Temperature Range | -40 – 110 °C [-40 – 230 °F] |

Operation/Application

| | |
|------------------------------------|--------|
| Compatible With Wire Base Material | Copper |
|------------------------------------|--------|

Industry Standards

| | |
|-------------------------------|----|
| Government Qualified Terminal | No |
|-------------------------------|----|

Packaging Features

| | |
|--------------------|------------|
| Packaging Quantity | 6000 |
| Packaging Method | Strip/Reel |

Product Compliance

[For compliance documentation, visit the product page on TE.com>](#)

| | |
|---|---|
| EU RoHS Directive 2011/65/EU | Compliant |
| EU ELV Directive 2000/53/EC | Compliant |
| China RoHS 2 Directive MIIT Order No 32, 2016 | No Restricted Materials Above Threshold |
| EU REACH Regulation (EC) No. 1907/2006 | Current ECHA Candidate List: JAN 2025 (247) Candidate List Declared Against: JAN 2025 (247) Does not contain REACH SVHC |
| Halogen Content | Low Halogen - Br, Cl, F, I < 900 ppm per homogenous material. Also BFR/CFR/PVC |

Free

Solder Process Capability

Not applicable for solder process capability

Product Compliance Disclaimer

This information is provided based on reasonable inquiry of our suppliers and represents our current actual knowledge based on the information they provided. This information is subject to change. The part numbers that TE has identified as EU RoHS compliant have a maximum concentration of 0.1% by weight in homogenous materials for lead, hexavalent chromium, mercury, PBB, PBDE, DBP, BBP, DEHP, DIBP, and 0.01% for cadmium, or qualify for an exemption to these limits as defined in the Annexes of Directive 2011/65/EU (RoHS2). Finished electrical and electronic equipment products will be CE marked as required by Directive 2011/65/EU. Components may not be CE marked. Additionally, the part numbers that TE has identified as EU ELV compliant have a maximum concentration of 0.1% by weight in homogenous materials for lead, hexavalent chromium, and mercury, and 0.01% for cadmium, or qualify for an exemption to these limits as defined in the Annexes of Directive 2000/53/EC (ELV). Regarding the REACH Regulation, the information TE provides on SVHC in articles for this part number is based on the latest European Chemicals Agency (ECHA) 'Guidance on requirements for substances in articles' posted at this URL: <https://echa.europa.eu/guidance-documents/guidance-on-reach>

Compatible Parts



KIT
REPRESENTATION ONLY

TE Part # 7-2150304-7
[OCEAN_2.0_SPARE_PART_KIT-110F140F](#)



TE Part # 160668-6
[TERMINAL](#)



TE Part # 280261-2
[OPEN BARREL RINGTON](#)



TE Part # 160548-2
[RING TONGUE 22-20 AWG .0120 X .290 PTPBR](#)



TE Part # 640189-1
[RING TINSEL WIRE TPBR](#)



TE Part # 2150304-2
[OCEAN_2.0_Applicator-E-110F140F-REA](#)



TE Part # 2150304-1
[OCEAN_2.0_Applicator-E-110F140F-REM](#)



TE Part # 150070-5
[RING](#)



TE Part # 61764-1
[RING CRIMP 20-16 AWG BR](#)

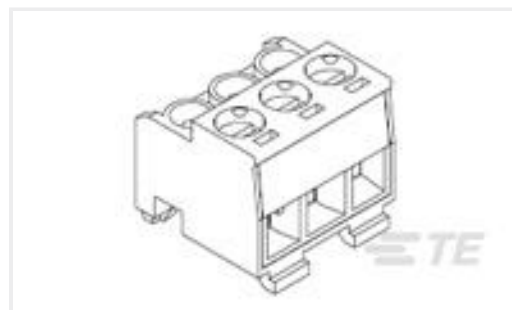
Customers Also Bought



TE Part #2213130-1
LUMAWISE LED HOLDER Z50 LOW
PROFILE 2024



TE Part #2213480-1
LUMAWISE Z50 HOLDER 2828
GENERAL



TE Part #1546173-2
5MM PLUG,90/180,2 POS,GREEN,SN



TE Part #1676150-1
RN 0805 10K2 0.1% 10PPM CUT
LENGTH



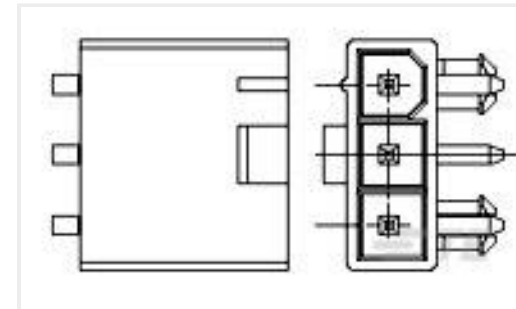
TE Part #4-1879502-6
CRGH2512 5% 1M0 2W



TE Part #1-2325811-2
LUMAWISE Z45 LED HOLDER 20X24



TE Part #2098762-4
Contact,female0.64, 22 AWG, CuNiSi,
Sn



TE Part #2029151-4
4P R/A HDR VAL-U-LOK V0 W/P



TE Part #154509-2
250 FASTON HSG.,REC.,1 POS,
NATURAL



TE Part #1775485-2
Battery Holder, 3.6mm, BLU,low profile

Documents

Product Drawings

[RING TONGUE 20-16 AWG 0.0253 TPBR](#)

English

CAD Files

[3D PDF](#)

3D

Customer View Model

[ENG_CVM_CVM_160101-2_Y.2d_dxf.zip](#)

English

Customer View Model

[ENG_CVM_CVM_160101-2_Y.3d_igs.zip](#)

English

Customer View Model

[ENG_CVM_CVM_160101-2_Y.3d_stp.zip](#)

English

By downloading the CAD file I accept and agree to the [Terms and Conditions](#) of use.

Product Specifications

160101-2

Closed Ring Tongue Terminal, 20 – 16 AWG, #8 / M4 Stud, 4.3 mm [.169 in] Stud Diameter, Open Barrel, Straight, Tin Plating, Uninsulated



Application Specification

English