



TE Internal #: 160018-2
 Closed Ring Tongue Terminal, 20 – 16 AWG, #8 / M4 Stud, 4.2 mm
 [.165 in] Stud Diameter, Open Barrel, Straight, Tin Plating,
 Uninsulated

[View on TE.com >](#)

Terminals & Splices > Ring Terminals



Ring Terminal Product Type: **Closed Ring Tongue Terminal**

Wire Size: **1021 – 2582 CMA**

Stud Size: **#8, M4**

Features

Product Type Features

Shape Description	Circular/Oval
Ring Terminal Product Type	Closed Ring Tongue Terminal
Stud Size	#8, M4
Sealable	No
Compatible With Discrete Wire Type	Stranded
Wire Insulation Support Retention Type	Insulation Support

Configuration Features

Number of Holes	1
-----------------	---

Body Features

Product Weight	.808 g
----------------	--------

Contact Features

Contact Base Material	Brass
Barrel Type	Open
Terminal Orientation	Straight
Terminal Plating Material	Tin
Contact Underplating Material	None



Mechanical Attachment

Wire Insulation Support	With
-------------------------	------

Dimensions

	.07 in
Wire Size	1021 – 2582 CMA
Stud Diameter	4.2 mm [.165 in]
Tongue Thickness	.76 mm [.03 in]
Product Length	12.45 mm [.49 in]
Barrel Inside Diameter	1.9 mm, 2.15 mm [.075 in] [.085 in]
Compatible Insulation Diameter (Max)	2.29 mm [.09 in]
Compatible Insulation Diameter Range	1.8 – 2.3 mm [.07 – .09 in]

Usage Conditions

Insulation Option	Uninsulated
Operating Temperature Range	-40 – 110 °C [-40 – 230 °F]

Operation/Application

Compatible With Wire Base Material	Copper
------------------------------------	--------

Industry Standards

Government Qualified Terminal	No
-------------------------------	----

Packaging Features

Packaging Quantity	15000
Packaging Method	Strip/Reel

Product Compliance

[For compliance documentation, visit the product page on TE.com>](#)

EU RoHS Directive 2011/65/EU	Compliant
EU ELV Directive 2000/53/EC	Compliant
China RoHS 2 Directive MIIT Order No 32, 2016	No Restricted Materials Above Threshold
EU REACH Regulation (EC) No. 1907/2006	Current ECHA Candidate List: JAN 2025 (247) Candidate List Declared Against: JAN 2025 (247) Does not contain REACH SVHC
Halogen Content	Low Halogen - Br, Cl, F, I < 900 ppm per homogenous material. Also BFR/CFR/PVC

Free

Solder Process Capability

Not applicable for solder process capability

Product Compliance Disclaimer

This information is provided based on reasonable inquiry of our suppliers and represents our current actual knowledge based on the information they provided. This information is subject to change. The part numbers that TE has identified as EU RoHS compliant have a maximum concentration of 0.1% by weight in homogenous materials for lead, hexavalent chromium, mercury, PBB, PBDE, DBP, BBP, DEHP, DIBP, and 0.01% for cadmium, or qualify for an exemption to these limits as defined in the Annexes of Directive 2011/65/EU (RoHS2). Finished electrical and electronic equipment products will be CE marked as required by Directive 2011/65/EU. Components may not be CE marked. Additionally, the part numbers that TE has identified as EU ELV compliant have a maximum concentration of 0.1% by weight in homogenous materials for lead, hexavalent chromium, and mercury, and 0.01% for cadmium, or qualify for an exemption to these limits as defined in the Annexes of Directive 2000/53/EC (ELV). Regarding the REACH Regulation, the information TE provides on SVHC in articles for this part number is based on the latest European Chemicals Agency (ECHA) 'Guidance on requirements for substances in articles' posted at this URL: <https://echa.europa.eu/guidance-documents/guidance-on-reach>

Compatible Parts



TE Part # 4150044-2
OCEAN_2.0_APPLICATOR-E-120F120O-REA



TE Part # 4150044-1
OCEAN_2.0_APPLICATOR-E-120F120O-REM



TE Part # 160548-2
RING TONGUE 22-20 AWG .0120 X .290 PTPBR

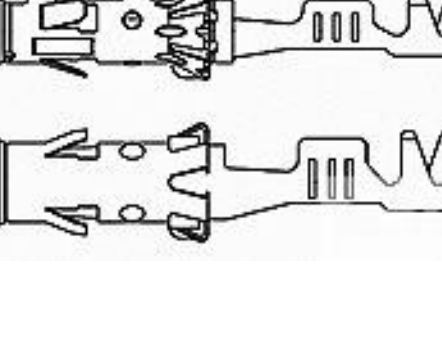


TE Part # 7-4150044-7
OCEAN_2.0_SPARE_PART_KIT-120F120O

Customers Also Bought



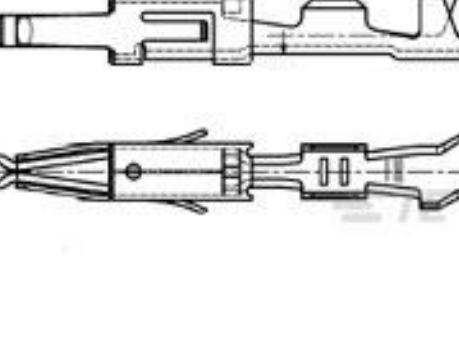
TE Part #1744525-3
EP 03P RA-HDR ASY NO 2 PIN



TE Part #1718188-1
HIGH PRESSURE SOCKET 4MM



TE Part #5677704003
RNF-3000-3/1-4-SP



TE Part #2141900-3
MT 2,TERMINAL



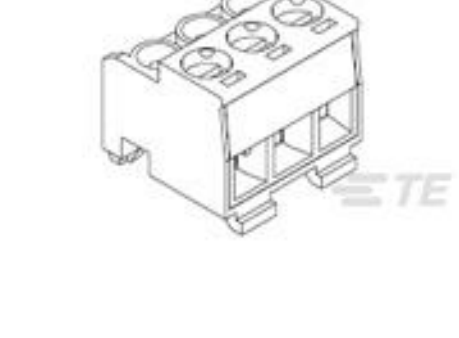
TE Part #2834049-1
REC, 2P LATCHED POKE-IN WTW CONN.NL



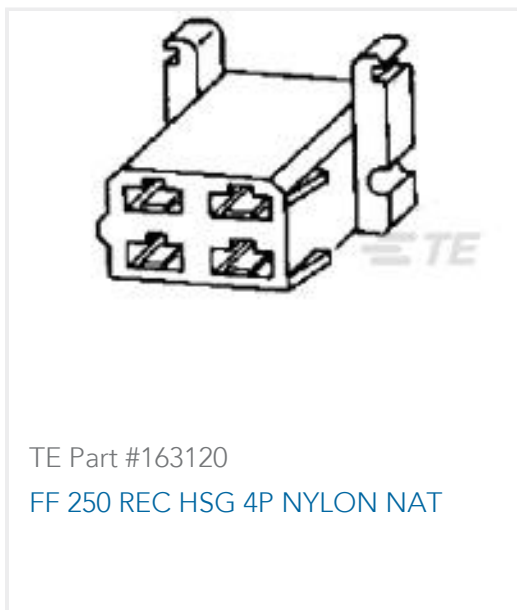
TE Part #1SNA399730R1700
D1.5/6.ADO.NF



TE Part #474329-E
M12 MALE, UNI CODE, 4P, 10.5MM SMT, DI



TE Part #1546173-2
5MM PLUG,90/180,2 POS,GREEN,SN



Documents

Product Drawings

[RING TONGUE 176 20-16 AWG 0.251 NIBR](#)

English

CAD Files

[3D PDF](#)

3D

Customer View Model

[ENG_CVM_CVM_160018-2_T.2d_dxf.zip](#)

English

Customer View Model

[ENG_CVM_CVM_160018-2_T.3d_igs.zip](#)

English

Customer View Model

[ENG_CVM_CVM_160018-2_T.3d_stp.zip](#)

English

By downloading the CAD file I accept and agree to the [Terms and Conditions](#) of use.

Product Specifications

[Application Specification](#)

English

[Application Specification](#)

English