



### Product Compliance

[For compliance documentation, visit the product page on TE.com>](#)

EU RoHS Directive 2011/65/EU	Compliant
EU ELV Directive 2000/53/EC	Out of Scope
China RoHS 2 Directive MIIT Order No 32, 2016	No Restricted Materials Above Threshold
EU REACH Regulation (EC) No. 1907/2006	Current ECHA Candidate List: JAN 2025 (247) Candidate List Declared Against: JAN 2025 (247) Does not contain REACH SVHC
Halogen Content	Low Halogen - Br, Cl, F, I < 900 ppm per homogenous material. Also BFR/CFR/PVC Free
Solder Process Capability	Not reviewed for solder process capability

#### Product Compliance Disclaimer

This information is provided based on reasonable inquiry of our suppliers and represents our current actual knowledge based on the information they provided. This information is subject to change. The part numbers that TE has identified as EU RoHS compliant have a maximum concentration of 0.1% by weight in homogenous materials for lead, hexavalent chromium, mercury, PBB, PBDE, DBP, BBP, DEHP, DIBP, and 0.01% for cadmium, or qualify for an exemption to these limits as defined in the Annexes of Directive 2011/65/EU (RoHS2). Finished electrical and electronic equipment products will be CE marked as required by Directive 2011/65/EU. Components may not be CE marked. Additionally, the part numbers that TE has identified as EU ELV compliant have a maximum concentration of 0.1% by weight in homogenous materials for lead, hexavalent chromium, and mercury, and 0.01% for cadmium, or qualify for an exemption to these limits as defined in the Annexes of Directive 2000/53/EC (ELV). Regarding the REACH Regulation, the information TE provides on SVHC in articles for this part number is based on the latest European Chemicals Agency (ECHA) 'Guidance on requirements for substances in articles' posted at this URL: <https://echa.europa.eu/guidance-documents/guidance-on-reach>

### Compatible Parts




TE Part # 2103744-4  
PLUG, HVIL ONLY, KEY D, HVA280-2PHI SE



TE Part # 1-2305020-4  
PLUG ASSY, KEY D, CPA, HVA280-2PHI XE,



TE Part # 2404135-3  
FAMILY SEAL, HVA 280, 2P CABLE SEAL, SIZE C



TE Part # 1-2379991-1  
HVA280, 2POS, MCP, 4SQMM, CABLE ASSEMBLY



TE Part # 2103744-1  
PLUG, HVIL ONLY, KEY A, HVA280-2PHI SE



TE Part # 2103744-2  
PLUG, HVIL ONLY, KEY B, HVA280-2PHI SE

TE Part # 2290450-4  
HVA280 2PHI PLUG CODE A WITH APT FOR PTC

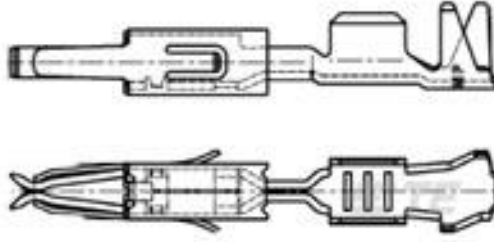


TE Part # 1-2379991-3  
HVA280, 2POS, MCP, 4SQMM, CABLE ASSEMBLY

### Customers Also Bought



TE Part #7-4151265-7  
OCEAN\_2.0\_SPARE\_PART\_KIT-122F160OV



TE Part #4-1241732-1  
MT3 REC 1.6 Contact SRC Au



TE Part #2103177-5  
PLUG ASSY, KEY E, TA,CPA, HVA280-2PHI XE



TE Part #2350495-3  
HVA280 inner ferrule



TE Part #1587827-3  
CABLE SEAL RETAINER, SIZE C, HVA280-2PI



TE Part #2293267-3  
DIA 2.8MM,PIN TERMINAL,PE 6SQMM



TE Part #2103177-1  
PLUG ASSY, KEY A, TA,CPA, HVA280-2PHI XE



TE Part #4-2103177-5  
PLUG ASSY, KEY E, FA,CPA, HVA280-2PHI XE



TE Part #2141630-1  
5POS,HVA630,REC HSG ASSY, 180DEG,HVIL



TE Part #2141613-9  
CARRIER, SEAL,WH

### Documents

#### Product Drawings

CABLE SEAL, SIZE C, HVA280-2PI

English

#### CAD Files

3D PDF

3D

Customer View Model

ENG\_CVM\_CVM\_1587826-3\_B.2d\_dxf.zip



English

Customer View Model

[ENG\\_CVM\\_CVM\\_1587826-3\\_B.3d\\_igs.zip](#)

English

Customer View Model

[ENG\\_CVM\\_CVM\\_1587826-3\\_B.3d\\_stp.zip](#)

English

By downloading the CAD file I accept and agree to the [Terms and Conditions](#) of use.

**Product Specifications**

[Application Specification](#)

English