

1473416-1 ✓ ACTIVE

AMP | SUPERSEAL 1.0mm

TE Internal #: 1473416-1

26 Position Housing, Plug, Wire-to-Board, 3 mm [.118 in]

Centerline, Sealable, Black, Wire & Cable, Power, Cable Mount

(Free-Hanging), SUPERSEAL 1.0mm

[View on TE.com >](#)



Connectors > Automotive Connectors > Automotive Housings > SUPERSEAL Connector Housings: 1.0 mm



Number of Positions: **26**

Connector & Housing Type: **Plug**

Mating Pin Diameter: **1 mm [.039 in]**

Connector System: **Wire-to-Board**

Centerline (Pitch): **3 mm [.118 in]**

[All SUPERSEAL Connector Housings: 1.0 mm \(22\)](#)

Features

Product Type Features

Mixed & Hybrid Connector	No
Connector Shape	Rectangular
Connector & Housing Type	Plug
Connector System	Wire-to-Board
Sealable	Yes
Primary Locking Feature	Integrated in Housing
Connector & Contact Terminates To	Wire & Cable

Configuration Features

Number of Positions	26
Number of Rows	4

Electrical Characteristics

Operating Voltage	250 VDC
-------------------	---------



Body Features

Cable Exit Angle	180°
Primary Product Color	Black
Connector & Keying Code	3

Contact Features

Contact Size	1mm
Contact Type	Receptacle
Mating Pin Diameter	1 mm [.039 in]

Mechanical Attachment

Strain Relief	Without
Terminal Position Assurance	No
Mating Alignment Type	Polarization
Mating Alignment	Without
Connector Mounting Type	Cable Mount (Free-Hanging)

Housing Features

Housing Material	PBT GF30
Centerline (Pitch)	3 mm [.118 in]

Dimensions

Row-to-Row Spacing	3.5 mm, 4 mm [.137 in] [.157 in]
Product Width	34.5 mm [1.35 in]
Product Length	32.2 mm [1.26 in]
Connector Height	32.1 mm [1.26 in]

Usage Conditions

Operating Temperature (Max)	125 °C [257 °F]
Operating Temperature Range	-40 – 125 °C [-40 – 257 °F]

Operation/Application

Circuit Application	Power
---------------------	-------

Industry Standards

IP Rating	JIS D0203
UL Flammability Rating	UL 94V-2

Packaging Features

Packaging Quantity	20
--------------------	----



Packaging Method	Tube
Other	
Serviceable	Yes
Connector Position Assurance Capable	No

Product Compliance

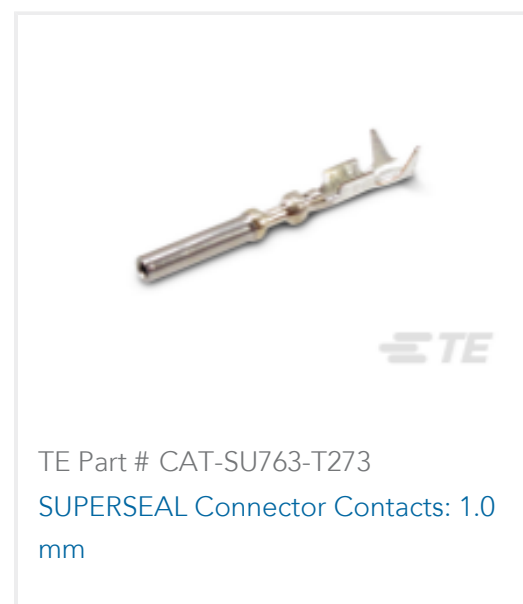
[For compliance documentation, visit the product page on TE.com>](#)

EU RoHS Directive 2011/65/EU	Compliant
EU ELV Directive 2000/53/EC	Compliant
China RoHS 2 Directive MIIT Order No 32, 2016	No Restricted Materials Above Threshold
EU REACH Regulation (EC) No. 1907/2006	Current ECHA Candidate List: JAN 2025 (247) Candidate List Declared Against: JAN 2025 (247) Does not contain REACH SVHC
Halogen Content	Not Low Halogen - contains Br or Cl > 900 ppm.
Solder Process Capability	Not applicable for solder process capability

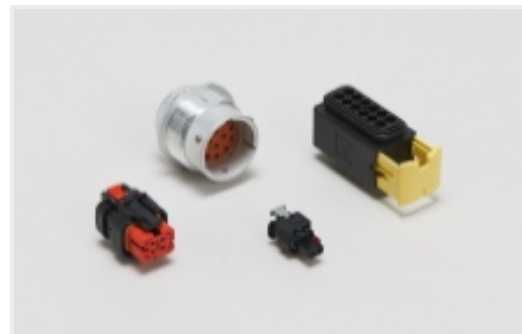
Product Compliance Disclaimer

This information is provided based on reasonable inquiry of our suppliers and represents our current actual knowledge based on the information they provided. This information is subject to change. The part numbers that TE has identified as EU RoHS compliant have a maximum concentration of 0.1% by weight in homogenous materials for lead, hexavalent chromium, mercury, PBB, PBDE, DBP, BBP, DEHP, DIBP, and 0.01% for cadmium, or qualify for an exemption to these limits as defined in the Annexes of Directive 2011/65/EU (RoHS2). Finished electrical and electronic equipment products will be CE marked as required by Directive 2011/65/EU. Components may not be CE marked. Additionally, the part numbers that TE has identified as EU ELV compliant have a maximum concentration of 0.1% by weight in homogenous materials for lead, hexavalent chromium, and mercury, and 0.01% for cadmium, or qualify for an exemption to these limits as defined in the Annexes of Directive 2000/53/EC (ELV). Regarding the REACH Regulation, the information TE provides on SVHC in articles for this part number is based on the latest European Chemicals Agency (ECHA) 'Guidance on requirements for substances in articles' posted at this URL: <https://echa.europa.eu/guidance-documents/guidance-on-reach>

Compatible Parts



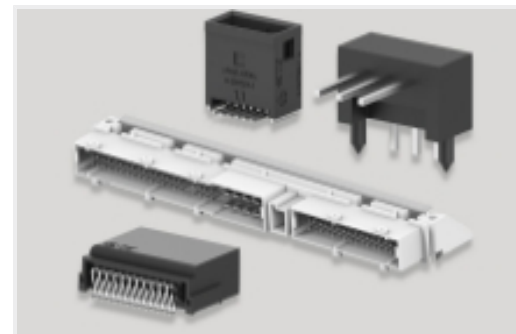
Also in the Series | SUPERSEAL 1.0mm



Automotive Housings(22)



Automotive Terminals(10)

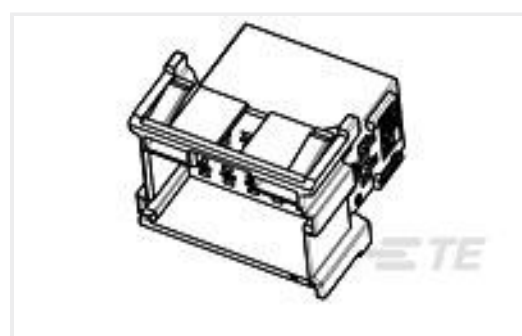


PCB Headers & Receptacles(39)



Rectangular Backshells & Clamps(3)

Customers Also Bought

TE Part #1-965641-5
FLACHSTE-GEH2,8 6PTE Part #CAT-SU763-CH8172
SUPERSEAL Connector Housings: 1.0 mmTE Part #DRC12-70PCE
REC, 70P, BLK, E, FLANGE, CTE Part #2-1437712-2
MP1NA-1008XX=CONN. 8W FEMA
BLKTE Part #1-962841-3
TAB 2.8x0.8 CONTACT CS SRC AuTE Part #184311-1
ASSY, PLUG HSG 3 POS, KEY ATE Part #3-1447221-5
S/S REC CONTACT ASSY, AU, 0.3

Documents

Product Drawings

[SUPER SEAL 26POS PLUG ASSY](#)

English

[SUPER SEAL 26POS PLUG ASSY](#)

English

CAD Files

[3D PDF](#)

3D

Customer View Model

[ENG_CVM_CVM_1473416-1_A.2d_dxf.zip](#)

English

Customer View Model

[ENG_CVM_CVM_1473416-1_A.3d_igs.zip](#)

English



Customer View Model

[ENG_CVM_CVM_1473416-1_A.3d_stp.zip](#)

English

By downloading the CAD file I accept and agree to the [Terms and Conditions](#) of use.

Datasheets & Catalog Pages

[ICT Terminals and Connectors Catalogue](#)

English

[CONNECTOR SELECTOR](#)

English

Product Specifications

[Application Specification](#)

English

[Super Seal Connector](#)

Japanese

[Application Specification](#)

Japanese

Instruction Sheets

[Instruction Sheet \(non U.S.\)](#)

English

[SUPER SEAL CONNECTOR PLUG HOUSING CONNECTOR](#)

English

Agency Approvals

[UL Report](#)

English