



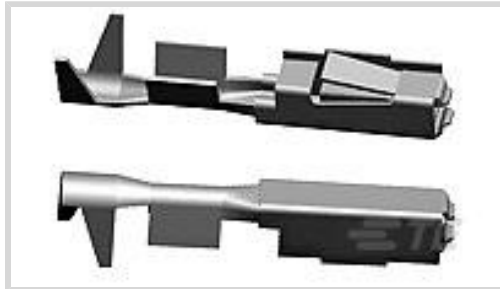
**MQS**

TE Internal #: 144969-1

Receptacle Terminal, 24 – 19 AWG, .2 – .6 mm<sup>2</sup> Wire, .63 mm [.025 in] Tab Width, Tin (Sn), .63 mm [.025 in] Tab Thickness, Terminates To Wire

[View on TE.com >](#)

Terminals & Splices > Automotive Terminals > MQS, RECEPTACLE AND TAB



Terminal Type: **Receptacle**

Wire Size: **24 – 19 AWG**

Mating Tab Width: **.63 mm [.025 in]**

Interface Plating: **Tin (Sn)**

[All MQS, RECEPTACLE AND TAB \(96\)](#)

**Features**

**Product Type Features**

|                         |               |
|-------------------------|---------------|
| Primary Locking Feature | Locking Lance |
| Sealable                | No            |

**Contact Features**

|                      |                  |
|----------------------|------------------|
| Crimp Type           | F-Crimp          |
| Contact Size         | .63mm            |
| Contact Fabrication  | Stamped & Formed |
| Terminal Type        | Receptacle       |
| Mating Tab Width     | .63 mm[.025 in]  |
| Interface Plating    | Tin (Sn)         |
| Mating Tab Thickness | .63 mm[.025 in]  |

**Termination Features**

|                                    |       |
|------------------------------------|-------|
| Termination Method to Wire & Cable | Crimp |
| Product Terminates To              | Wire  |

**Dimensions**

|                                      |                                                                                                                              |
|--------------------------------------|------------------------------------------------------------------------------------------------------------------------------|
| Compatible Insulation Diameter Range | 1.9 mm[.075 in]                                                                                                              |
| Wire Size                            | 24 – 19 AWG                                                                                                                  |
| Wire Size Search                     | .2 mm <sup>2</sup> , .25 mm <sup>2</sup> , .3 mm <sup>2</sup> , .4 mm <sup>2</sup> , .5 mm <sup>2</sup> , .6 mm <sup>2</sup> |



### Usage Conditions

|                             |                                                             |
|-----------------------------|-------------------------------------------------------------|
| Insulation Option           | Uninsulated                                                 |
| Operating Temperature (Max) | 80 °C, 85 °C, 90 °C, 100 °C, 105 °C, 110 °C, 120 °C[212 °F] |
| Operating Temperature Range | -40 – 120 °C[-40 – 248 °F]                                  |

### Operation/Application

|                                    |        |
|------------------------------------|--------|
| Compatible With Wire Base Material | Copper |
|------------------------------------|--------|

### Packaging Features

|                    |       |
|--------------------|-------|
| Packaging Method   | Reel  |
| Packaging Quantity | 11000 |

### Product Compliance

[For compliance documentation, visit the product page on TE.com>](#)

|                                               |                                                                                                                               |
|-----------------------------------------------|-------------------------------------------------------------------------------------------------------------------------------|
| EU RoHS Directive 2011/65/EU                  | Compliant                                                                                                                     |
| EU ELV Directive 2000/53/EC                   | Compliant                                                                                                                     |
| China RoHS 2 Directive MIIT Order No 32, 2016 | No Restricted Materials Above Threshold                                                                                       |
| EU REACH Regulation (EC) No. 1907/2006        | Current ECHA Candidate List: JAN 2025 (247)<br>Candidate List Declared Against: JAN 2025 (247)<br>Does not contain REACH SVHC |
| Halogen Content                               | Low Halogen - Br, Cl, F, I < 900 ppm per homogenous material. Also BFR/CFR/PVC Free                                           |
| Solder Process Capability                     | Not applicable for solder process capability                                                                                  |

#### Product Compliance Disclaimer

This information is provided based on reasonable inquiry of our suppliers and represents our current actual knowledge based on the information they provided. This information is subject to change. The part numbers that TE has identified as EU RoHS compliant have a maximum concentration of 0.1% by weight in homogenous materials for lead, hexavalent chromium, mercury, PBB, PBDE, DBP, BBP, DEHP, DIBP, and 0.01% for cadmium, or qualify for an exemption to these limits as defined in the Annexes of Directive 2011/65/EU (RoHS2). Finished electrical and electronic equipment products will be CE marked as required by Directive 2011/65/EU. Components may not be CE marked. Additionally, the part numbers that TE has identified as EU ELV compliant have a maximum concentration of 0.1% by weight in homogenous materials for lead, hexavalent chromium, and mercury, and 0.01% for cadmium, or qualify for an exemption to these limits as defined in the Annexes of Directive 2000/53/EC (ELV). Regarding the REACH Regulation, the information TE provides on SVHC in articles for this part number is based on the latest European Chemicals Agency (ECHA) 'Guidance on requirements for substances in articles' posted at this URL: <https://echa.europa.eu/guidance-documents/guidance-on-reach>

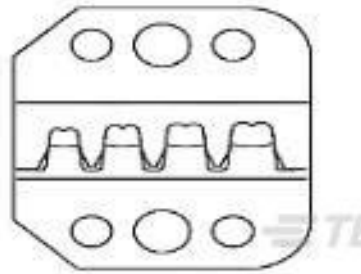
### Compatible Parts




TE Part # 2151163-1  
OCEAN\_2.0\_Applicator-S-055F080F-RSM



TE Part # 2151163-2  
OCEAN\_2.0\_Applicator-S-055F080F-RSA



TE Part # 58611-2  
PRO-CRIMP DIE MQS REC



TE Part # 2479189-6  
REC CONN CVR ASSY,40POS,MQS, 60DEG



TE Part # 2209954-1  
AIRBAG 24P COVER ASSY



TE Part # 2209954-2  
AIRBAG 24P COVER ASSY



TE Part # 1308374-1  
EXTRACTION TOOL



TE Part # 7-2151163-7  
OCEAN\_2.0\_SPARE\_PART\_KIT-055F080F



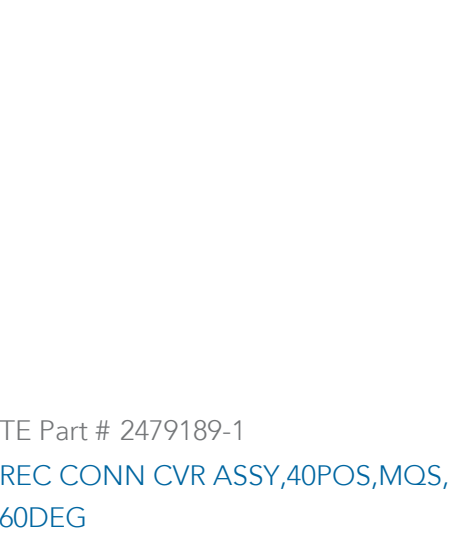
TE Part # 6-1579007-1  
EXTRACTION TOOL



TE Part # 58611-1  
PRO-CRIMP TOOL MQS REC



TE Part # CAT-SIGH262  
Signal Header



TE Part # 2479189-1  
REC CONN CVR ASSY,40POS,MQS, 60DEG




TE Part # CAT-M8793-CH8172  
MQS, CONNECTOR HOUSING



TE Part # 2305570-1  
Strip Terminal Cutter-Side Feed-No Crimp

### Customers Also Bought



TE Part # 368260-1  
CLIP HSG FOR 090 II MLC



TE Part # 1326359-1  
11P 2.8MM LVG-HNG PLUG - KEY A



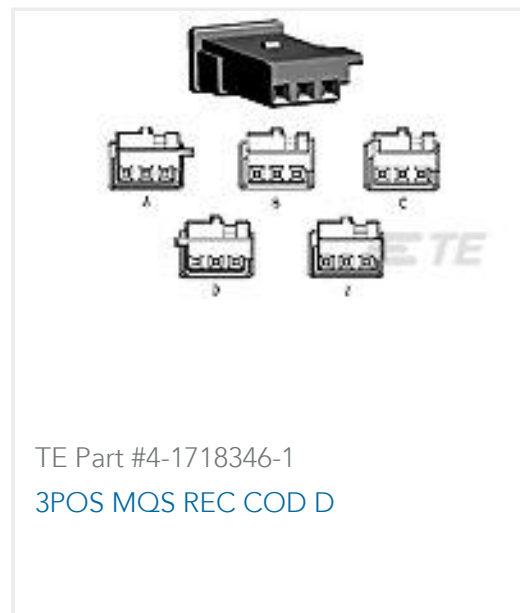
TE Part # 7-2151163-7  
OCEAN\_2.0\_SPARE\_PART\_KIT-055F080F



TE Part # 1622726-1  
LR2 1% 2K4



TE Part #280923-2  
FF 250 REC 0.8-2.5MM2 TPBR



TE Part #4-1718346-1  
3POS MQS REC COD D



TE Part #280098-2  
FF 250 REC 1-2.5MM2 TPPB



TE Part #293212-1  
FF 250 REC 0.8-2.5MM2 TPPB



TE Part #936129-1  
090III 10P CAP ASSY



TE Part #1814890-1  
2 WAY RECEPTACLE HSG. FASTI

## Documents

### Product Drawings

[MQS0,63 Sn rec LL unseal. 0,2-0,6](#)

English

### CAD Files

Customer View Model

[ENG\\_CVM\\_CVM\\_144969-1\\_J.2d\\_dxf.zip](#)

English

[3D PDF](#)

3D

Customer View Model

[ENG\\_CVM\\_CVM\\_144969-1\\_J.3d\\_igs.zip](#)

English

Customer View Model

[ENG\\_CVM\\_CVM\\_144969-1\\_J.3d\\_stp.zip](#)

English

By downloading the CAD file I accept and agree to the [Terms and Conditions](#) of use.

### Product Specifications

[Application Specification](#)

English

[Application Specification](#)

German

[Application Specification](#)

English