

1394132-1 ✓ ACTIVE

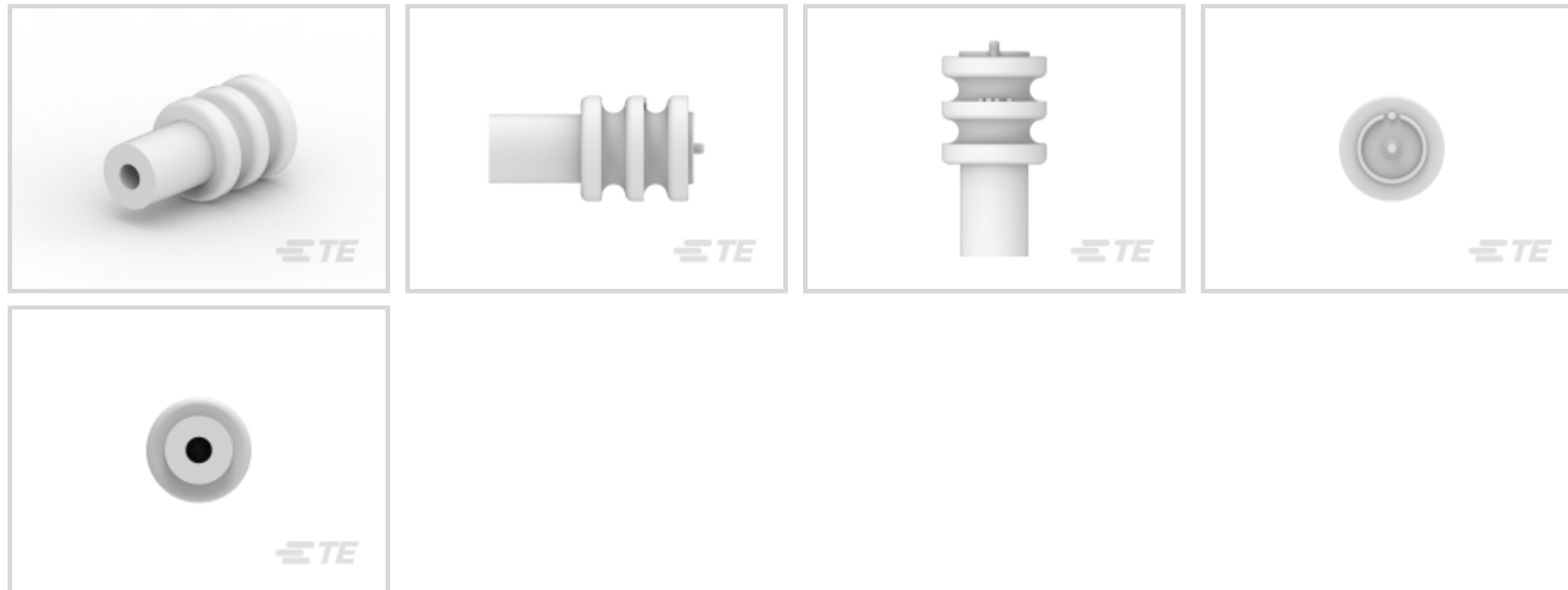
TE Internal #: 1394132-1

Cavity Blanking Plug, 3.6 mm [.142 in] Cavity Diameter, Natural,  
Silicone

[View on TE.com >](#)



Connectors > Connector Accessories > Connector Seals & Cavity Plugs



Connector Seal & Plug Type: **Cavity Blanking Plug**

Cavity Diameter: **3.6 mm [.142 in]**

Primary Product Color: **Natural**

Primary Product Material: **Silicone**

Resistance to Hydrocarbons: **Poor**

## Features

### Product Type Features

|                            |                      |
|----------------------------|----------------------|
| Connector Seal & Plug Type | Cavity Blanking Plug |
|----------------------------|----------------------|

### Body Features

|                          |          |
|--------------------------|----------|
| Primary Product Color    | Natural  |
| Primary Product Material | Silicone |

### Dimensions

|                 |                 |
|-----------------|-----------------|
| Cavity Diameter | 3.6 mm[.142 in] |
|-----------------|-----------------|

### Usage Conditions

|                             |                |
|-----------------------------|----------------|
| Operating Temperature (Max) | 130 °C[266 °F] |
|-----------------------------|----------------|

### Other

|                            |      |
|----------------------------|------|
| Resistance to Hydrocarbons | Poor |
| Shore A Hardness           | 50   |
| Contains Lubricant         | No   |

## Product Compliance

[For compliance documentation, visit the product page on TE.com>](#)

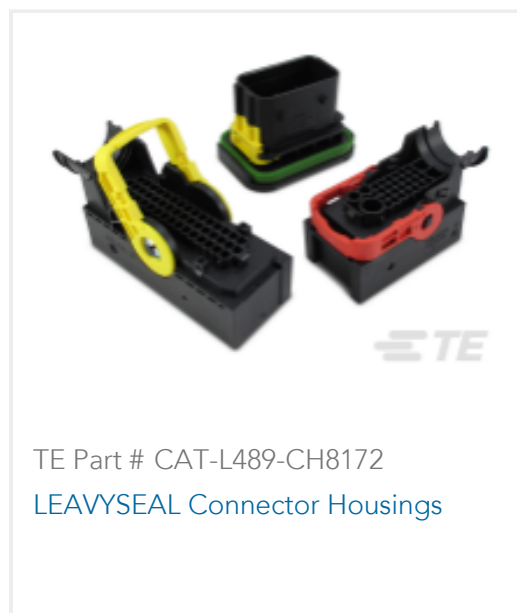


|   |   |
|---|---|
| EU RoHS Directive 2011/65/EU                  | Compliant   |
| EU ELV Directive 2000/53/EC                   | Compliant   |
| China RoHS 2 Directive MIIT Order No 32, 2016 | No Restricted Materials Above Threshold   |
| EU REACH Regulation (EC) No. 1907/2006        | Current ECHA Candidate List: JAN 2025 (247)<br>Candidate List Declared Against: JAN 2025 (247)<br>Does not contain REACH SVHC |
| Halogen Content                               | Low Halogen - Br, Cl, F, I < 900 ppm per homogenous material. Also BFR/CFR/PVC Free   |
| Solder Process Capability                     | Not applicable for solder process capability  |

Product Compliance Disclaimer

This information is provided based on reasonable inquiry of our suppliers and represents our current actual knowledge based on the information they provided. This information is subject to change. The part numbers that TE has identified as EU RoHS compliant have a maximum concentration of 0.1% by weight in homogenous materials for lead, hexavalent chromium, mercury, PBB, PBDE, DBP, BBP, DEHP, DIBP, and 0.01% for cadmium, or qualify for an exemption to these limits as defined in the Annexes of Directive 2011/65/EU (RoHS2). Finished electrical and electronic equipment products will be CE marked as required by Directive 2011/65/EU. Components may not be CE marked. Additionally, the part numbers that TE has identified as EU ELV compliant have a maximum concentration of 0.1% by weight in homogenous materials for lead, hexavalent chromium, and mercury, and 0.01% for cadmium, or qualify for an exemption to these limits as defined in the Annexes of Directive 2000/53/EC (ELV). Regarding the REACH Regulation, the information TE provides on SVHC in articles for this part number is based on the latest European Chemicals Agency (ECHA) 'Guidance on requirements for substances in articles' posted at this URL: <https://echa.europa.eu/guidance-documents/guidance-on-reach>

### Compatible Parts



### Customers Also Bought



## Documents

### Product Drawings

[BLINDSTOPFEN F.D3,6](#)

German

### CAD Files

[3D PDF](#)

3D

Customer View Model

[ENG\\_CVM\\_CVM\\_1394132-1\\_A.2d\\_dxf.zip](#)

English

Customer View Model

[ENG\\_CVM\\_CVM\\_1394132-1\\_A.3d\\_igs.zip](#)

English

Customer View Model

[ENG\\_CVM\\_CVM\\_1394132-1\\_A.3d\\_stp.zip](#)

English

By downloading the CAD file I accept and agree to the [Terms and Conditions](#) of use.

### Datasheets & Catalog Pages



[HDSCS CAN Bus Y-Connector and 120 Resistor Brochure](#)

English

[HDSCS Catalog](#)

English

[CONNECTOR SELECTOR](#)

English

---

[Product Specifications](#)

[Application Specification](#)

French

---

[Instruction Sheets](#)

[Instruction Sheet \(non U.S.\)](#)

French

---

[Agency Approvals](#)

[UL](#)

English