

1355437-2 ✓ ACTIVE

AMP | AMP MCP 9.5, AMP MCP Connector System

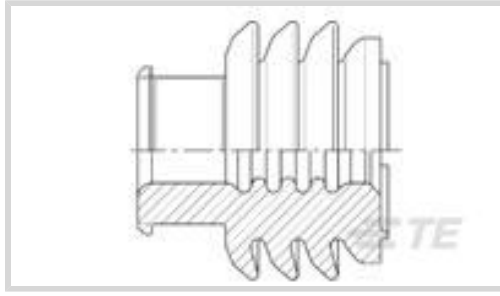
TE Internal #: 1355437-2

Single Wire Seal (SWS), 15 mm [.591 in] Cavity Diameter, -40 – 130 °C [-40 – 266 °F], Blue, Silicone, AMP MCP Connector System

[View on TE.com >](#)



Connectors > Connector Accessories > Connector Seals & Cavity Plugs



Connector Seal & Plug Type: **Single Wire Seal (SWS)**

Cavity Diameter: **15 mm [.591 in]**

Operating Temperature Range: **-40 – 130 °C [-40 – 266 °F]**

Primary Product Color: **Blue**

Primary Product Material: **Silicone**

Features

Product Type Features

Connector Seal & Plug Type	Single Wire Seal (SWS)
----------------------------	------------------------

Body Features

Primary Product Color	Blue
Primary Product Material	Silicone

Dimensions

Cavity Diameter	15 mm [.591 in]
Compatible Insulation Diameter Range	6.6 mm [.26 in]

Usage Conditions

Operating Temperature Range	-40 – 130 °C [-40 – 266 °F]
Operating Temperature (Max)	130 °C [266 °F]

Other

Resistance to Hydrocarbons	Poor
Shore A Hardness	50
Contains Lubricant	Yes

Product Compliance

[For compliance documentation, visit the product page on TE.com>](#)

EU RoHS Directive 2011/65/EU	Compliant
------------------------------	-----------



EU ELV Directive 2000/53/EC	Compliant
China RoHS 2 Directive MIIT Order No 32, 2016	No Restricted Materials Above Threshold
EU REACH Regulation (EC) No. 1907/2006	Current ECHA Candidate List: JAN 2025 (247) Candidate List Declared Against: JAN 2025 (247) Does not contain REACH SVHC
Halogen Content	Low Halogen - Br, Cl, F, I < 900 ppm per homogenous material. Also BFR/CFR/PVC Free
Solder Process Capability	Not applicable for solder process capability

Product Compliance Disclaimer

This information is provided based on reasonable inquiry of our suppliers and represents our current actual knowledge based on the information they provided. This information is subject to change. The part numbers that TE has identified as EU RoHS compliant have a maximum concentration of 0.1% by weight in homogenous materials for lead, hexavalent chromium, mercury, PBB, PBDE, DBP, BBP, DEHP, DIBP, and 0.01% for cadmium, or qualify for an exemption to these limits as defined in the Annexes of Directive 2011/65/EU (RoHS2). Finished electrical and electronic equipment products will be CE marked as required by Directive 2011/65/EU. Components may not be CE marked. Additionally, the part numbers that TE has identified as EU ELV compliant have a maximum concentration of 0.1% by weight in homogenous materials for lead, hexavalent chromium, and mercury, and 0.01% for cadmium, or qualify for an exemption to these limits as defined in the Annexes of Directive 2000/53/EC (ELV). Regarding the REACH Regulation, the information TE provides on SVHC in articles for this part number is based on the latest European Chemicals Agency (ECHA) 'Guidance on requirements for substances in articles' posted at this URL: <https://echa.europa.eu/guidance-documents/guidance-on-reach>

Compatible Parts



TE Part # CAT-AM705-T273
AMP MCP, RECEPTACLE AND TAB



TE Part # 2282162-1
2POS,TAB 9.5X1.2,HEADER ASSY



TE Part # 1718878-2
5POS. HSG. JPT/AMP MCP, ASS'Y, SEALED



TE Part # 1718878-1
JPT/ AMP MCP 6.3/9.5 HSG 5 POS

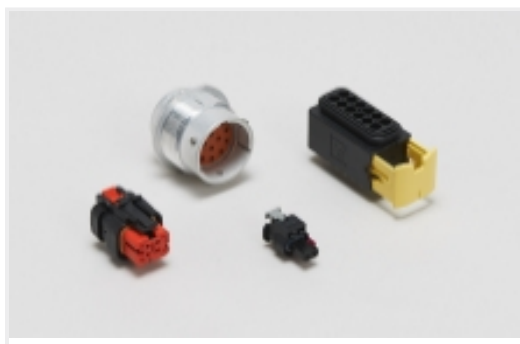


TE Part # CAT-NB1-RA9548
48V Ready 9.5mm Sealed Connectors

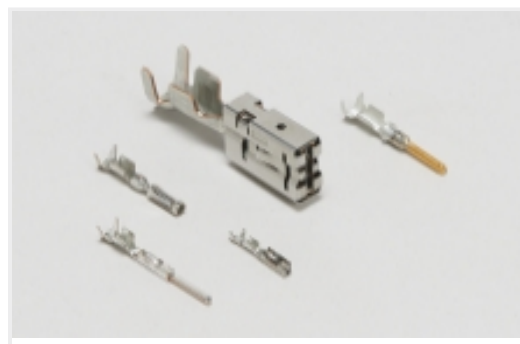


TE Part # CAT-AM705-CH8172
AMP MCP, SEALED CONNECTOR HOUSING

Also in the Series | AMP MCP 9.5



Automotive Housings(257)



Automotive Terminals(7)

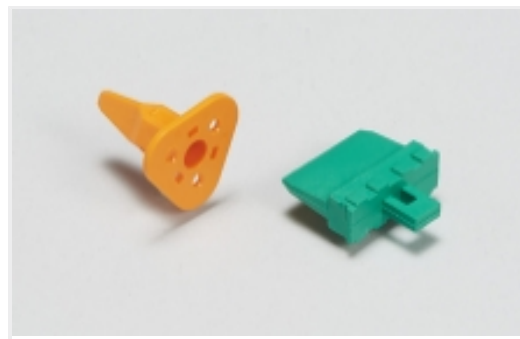


Connector Seals & Cavity Plugs(5)

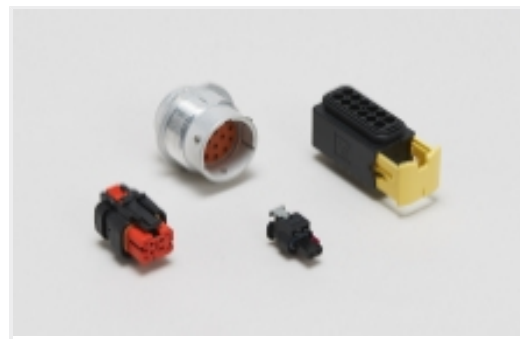
Also in the Series | AMP MCP Connector System



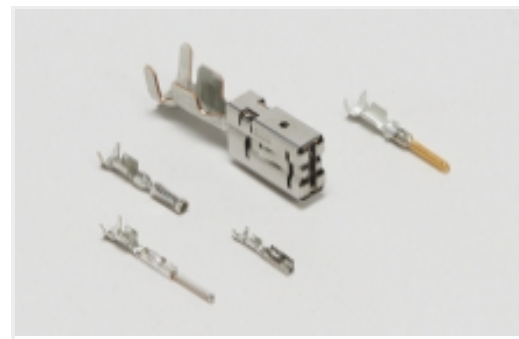
Automotive Connector Caps & Covers (25)



Automotive Connector Locks & Position Assurance(4)



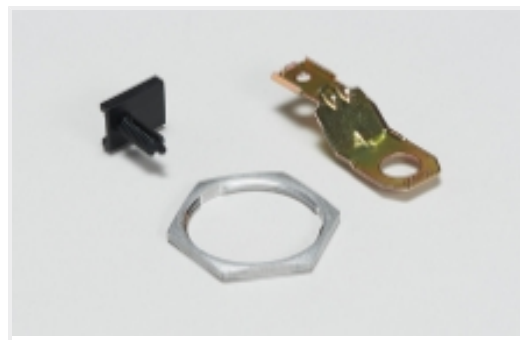
Automotive Housings(257)



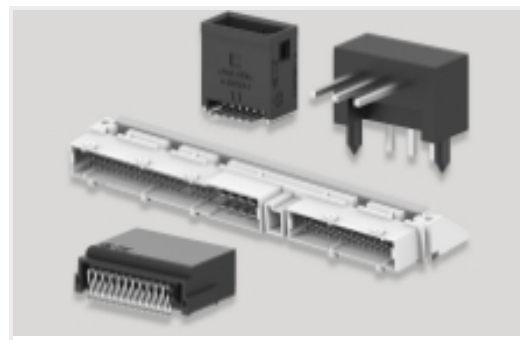
Automotive Terminals(7)



Connector Seals & Cavity Plugs(5)



Other Automotive Connector Accessories(3)



PCB Headers & Receptacles(31)



Rectangular Power Connectors(15)

Customers Also Bought



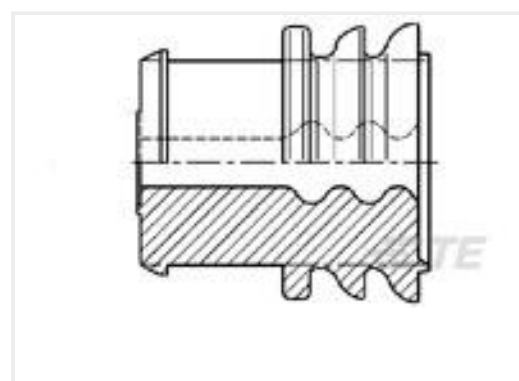
TE Part #BEA863M0400150A000
917 RECEPTACLE, SPEEDTEC-READY



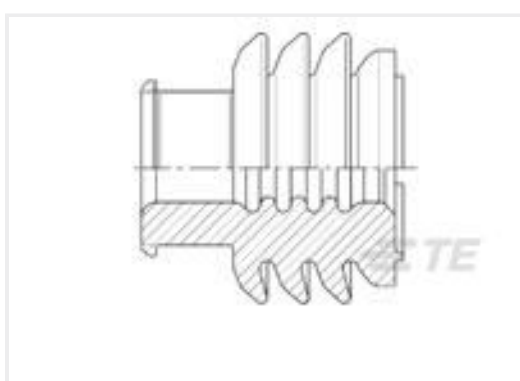
TE Part #2387380-1
Lidar Plug, Matenet+Power+signal, cod A



TE Part #1544333-1
LANGUETTE 8MM NG1



TE Part #963243-1
EINZELDRAHTDICHTUNG



TE Part #1355437-3
MCP9,5 EINZELDICHTG



TE Part #62253-1
250 FASTON REC 14-10 BR



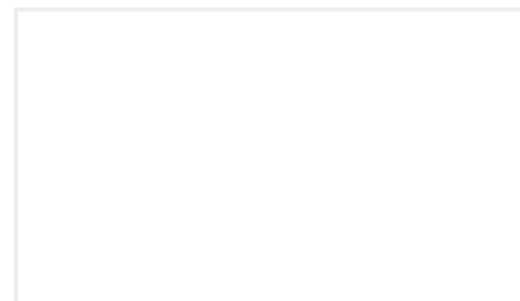
TE Part #968137-6
MPO2,8 Ag tab LL unseal. >1,0-2,5



TE Part #61299-2
SPLICE 7000-12500 .032 TPBR



TE Part #1544316-2
JOINT ORANGE G3



TE Part #EGA101M04000001000
615/915 YTEC RECEPTACLE, ANGLED

Documents

Product Drawings

MCP9,5 EINZELDICHTG

English

CAD Files

3D PDF

3D

Customer View Model

[ENG_CVM_CVM_1355437-2_A.2d_dxf.zip](#)

English

Customer View Model

[ENG_CVM_CVM_1355437-2_A.3d_igs.zip](#)

English

Customer View Model

[ENG_CVM_CVM_1355437-2_A.3d_stp.zip](#)

English

By downloading the CAD file I accept and agree to the [Terms and Conditions](#) of use.

Datasheets & Catalog Pages

AMP MCP 9.5 Two Position Connectors Series Brief

English

AMP MCP 9.5 Two Position Connectors Infographic

English

Product Specifications

Application Specification

German