

131331 ✓ ACTIVE



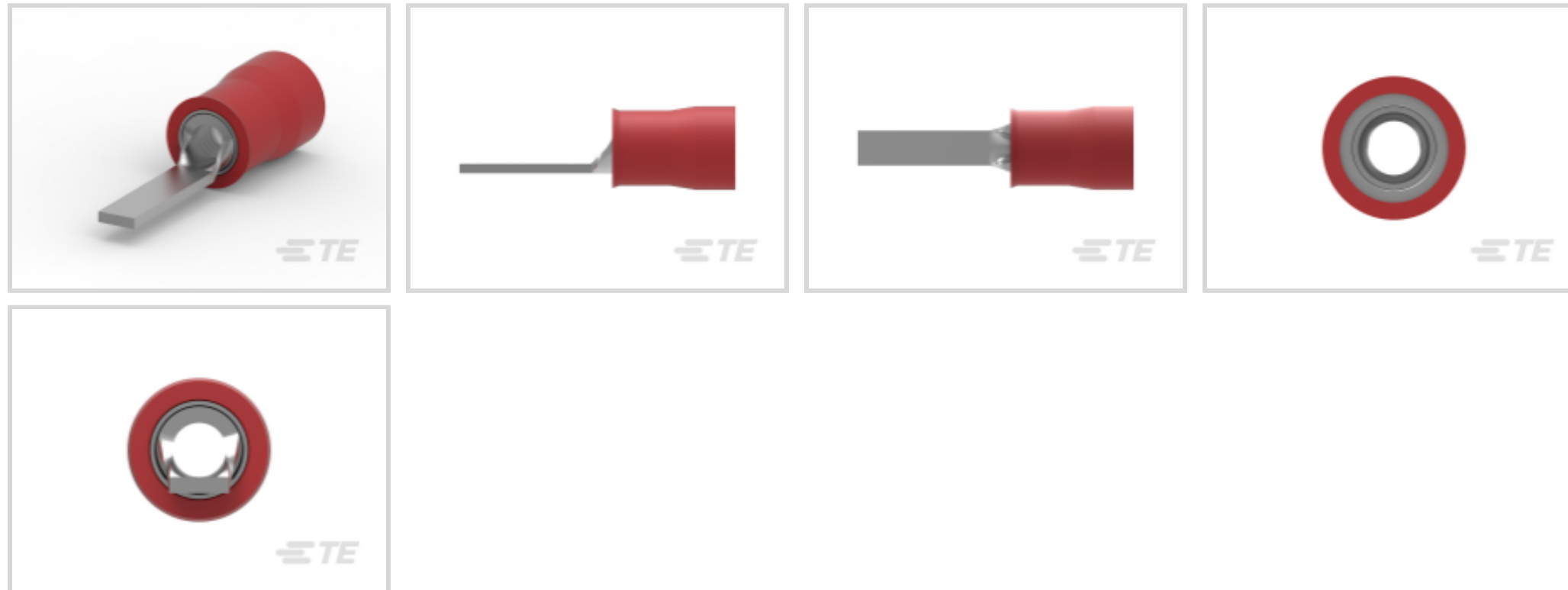
## PIDG

TE Internal #: 131331

Tab, 2.92 mm [.115 in] Tab Width, .79 mm [.031 in] Tab Thickness,  
22 – 16 AWG, .25 – 1.6 mm<sup>2</sup> Wire, 509 – 3260 CMA, Closed Barrel,  
Tin Plating, PIDG

[View on TE.com >](#)

Terminals & Splices > Crimp Wire Pins, Tabs & Ferrules > PIDG Pre-Insulated Diamond Grip Tabs



Crimp Wire Terminal Type: **Tab**

Mating Tab Width: **2.92 mm [.115 in]**

Mating Tab Thickness: **.79 mm [.031 in]**

Compatible Insulation Diameter Range: **3.56 mm [.14 in]**

Wire Size: **22 – 16 AWG**

[All PIDG Pre-Insulated Diamond Grip Tabs \(8\)](#)

## Features

### Product Type Features

Sealable	No
Compatible With Discrete Wire Type	Solid, Stranded
Wire Insulation Support Retention Type	Insulation Support

### Configuration Features

Compatible With Wire & Cable Type	Discrete Wire
-----------------------------------	---------------

### Body Features

Sleeve Material	Nylon
Primary Product Color	Red

### Contact Features

Contact Mating Area Length	12.4 mm [.487 in]
Crimp Wire Terminal Type	Tab
Mating Tab Width	2.92 mm [.115 in]



Mating Tab Thickness	.79 mm [.031 in]
----------------------	------------------

Barrel Type	Closed
-------------	--------

Terminal Plating Material	Tin
---------------------------	-----

Terminal Orientation	Straight
----------------------	----------

### Mechanical Attachment

Wire Insulation Support	With
-------------------------	------

### Dimensions

DIN Wire Size	.5 – 1 mm <sup>2</sup>
---------------	------------------------

Compatible Insulation Diameter Range	3.56 mm [.14 in]
--------------------------------------	------------------

Wire Size	509 – 3260 CMA
-----------	----------------

Barrel Inside Diameter	2.7 – 3.6 mm [.106 – .142 in]
------------------------	-------------------------------

Terminal Material Thickness	.79 mm [.031 in]
-----------------------------	------------------

Overall Product Length	23 mm [.906 in]
------------------------	-----------------

### Usage Conditions

Insulation Option	Partially Insulated
-------------------	---------------------

### Packaging Features

Packaging Quantity	1000
--------------------	------

Packaging Method	Loose Piece
------------------	-------------

### Product Compliance

[For compliance documentation, visit the product page on TE.com>](#)

EU RoHS Directive 2011/65/EU	Compliant
------------------------------	-----------

EU ELV Directive 2000/53/EC	Compliant
-----------------------------	-----------

China RoHS 2 Directive MIIT Order No 32, 2016	No Restricted Materials Above Threshold
---	---

EU REACH Regulation (EC) No. 1907/2006	Current ECHA Candidate List: JAN 2025 (247) Candidate List Declared Against: JAN 2025 (247) Does not contain REACH SVHC
--	---

Halogen Content	Low Halogen - Br, Cl, F, I < 900 ppm per homogenous material. Also BFR/CFR/PVC Free
-----------------	---

Solder Process Capability	Not applicable for solder process capability
---------------------------	--

Product Compliance Disclaimer

This information is provided based on reasonable inquiry of our suppliers and represents our current actual knowledge based on the information they provided. This information is subject to change. The part numbers that TE has identified as EU RoHS compliant have a maximum concentration of 0.1% by weight in homogenous materials for lead, hexavalent chromium, mercury, PBB, PBDE, DBP, BBP, DEHP, DIBP, and 0.01% for cadmium, or qualify for an exemption to these limits as defined in the Annexes of Directive 2011/65/EU (RoHS2). Finished electrical and electronic equipment products will be CE marked as required by Directive 2011/65/EU. Components may not be CE marked. Additionally, the part numbers that TE has identified as EU ELV compliant have a maximum concentration of 0.1% by weight in homogenous materials for lead, hexavalent chromium, and mercury, and 0.01% for cadmium, or qualify for an exemption to these limits as defined in the Annexes of Directive 2000/53/EC (ELV). Regarding the REACH Regulation, the information TE provides on SVHC in articles for this part number is based on the latest European Chemicals Agency (ECHA) 'Guidance on requirements for substances in articles' posted at this URL: <https://echa.europa.eu/guidance-documents/guidance-on-reach>

## Compatible Parts



TE Part # 169400  
CERTI-LOK FRAME W/O DIES



TE Part # 59250  
T-HEAD PIDG 26-14 ASSY



TE Part # 47806-2  
DIES PIDG 22-16 DIE SET



TE Part # 58423-1  
DIE, RBY IS9252



TE Part # 47386  
DAHT PG PIDG 26-16 ASSY



TE Part # 58433-3  
PRO CR ASSY, RBY IS9252



TE Part # 59300  
T-HEAD PIDG PG 26-16 ASSY



TE Part # 59824-1  
TETRA-CRIMP PIDG PG FASTON 22-10 ASSY



TE Part # 539691-2  
ERGO DIE R.B.Y



TE Part # 169404  
CERTI-LOK DIE



TE Part # 2063030-1  
SDE DIESET, RBY, UL

Also in the Series | **PIDG**



Compression Connectors(17)



Crimp Wire Pins, Tabs & Ferrules(41)



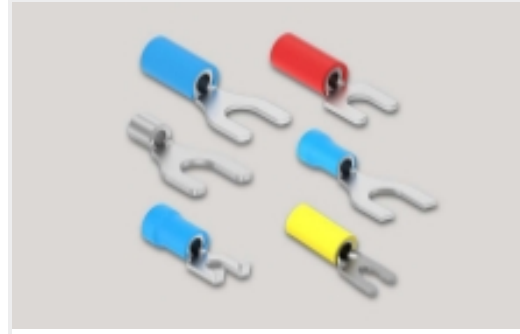
Hand Crimping Tools(2)



Knife Disconnects(11)



Ring Terminals(588)



Spade Terminals(228)



Special Purpose Terminals(1)



Splices(41)

## Customers Also Bought



TE Part #151730  
22-16 PIDG R/T 2BA NYLON EXP.1



TE Part #CAT-P592-R472A  
PIDG Ring Tongue Terminals



TE Part #165142  
PIDG WIRE PIN 22-16



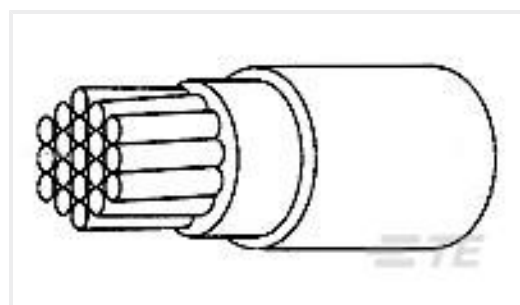
TE Part #F26167-000  
HX-SCE-1K-6.4-50-S1-4



TE Part #4-1437489-4  
7022MKI=28VDC 1-300SEC



TE Part #130167  
PIDG RING



TE Part #0757013001  
100G0111-2.50-0



TE Part #598904-000  
MWTM-35/12-100/S(S100)



TE Part #D60849-000  
T200-RIBBON-1966

## Documents



### Product Drawings

[PIDG. WIRE. TAB, 22-16](#)

English

---

### CAD Files

Customer View Model

[ENG\\_CVM\\_CVM\\_131331\\_E.2d\\_dxf.zip](#)

English

3D PDF

3D

Customer View Model

[ENG\\_CVM\\_CVM\\_131331\\_E.3d\\_igs.zip](#)

English

Customer View Model

[ENG\\_CVM\\_CVM\\_131331\\_E.3d\\_stp.zip](#)

English

By downloading the CAD file I accept and agree to the [Terms and Conditions](#) of use.

---

### Datasheets & Catalog Pages

[PIDG TERMINALS & SPLICES Quick Reference Guide](#)

English