



Sensors > Temperature Sensors > NTC Sensors > NTC Thermistors > Precision Epoxy Thermistors - 44000



NTC Sensor Type: **Epoxy Coated NTC Thermistor**

Lead Wire Length: **76 mm [ 2.992 in ]**

Resistance (at 25°C): **30 kΩ**

β-Value(25/85): **3943 K**

Tolerance β-Value: **±0.8 %**

[All Precision Epoxy Thermistors - 44000 \(33\)](#)

## Features

### Product Type Features

NTC Sensor Type	Epoxy Coated NTC Thermistor
Tolerance β-Value	±0.8 %

### Electrical Characteristics

β-Value(25/85)	3943 K
----------------	--------

### Dimensions

Lead Wire Length	76 mm[2.992 in]
------------------	-----------------

### Usage Conditions

Resistance (at 25°C)	30 kΩ
Operating Temperature Range	-40 – 150 °C[-40 – 302 °F]
Operating Temperature (Max)	150 °C[302 °F]

## Product Compliance

[For compliance documentation, visit the product page on TE.com>](#)

EU RoHS Directive 2011/65/EU	Compliant
EU ELV Directive 2000/53/EC	Compliant with Exemptions
China RoHS 2 Directive MIIT Order No 32, 2016	No Restricted Materials Above Threshold

EU REACH Regulation (EC) No. 1907/2006

Current ECHA Candidate List: JAN 2025  
(247)Candidate List Declared Against: JAN 2025  
(247)

Does not contain REACH SVHC

Halogen Content

Low Halogen - Br, Cl, F, I < 900 ppm per  
homogenous material. Also BFR/CFR/PVC  
Free

Solder Process Capability

Not reviewed for solder process capability

## Product Compliance Disclaimer

This information is provided based on reasonable inquiry of our suppliers and represents our current actual knowledge based on the information they provided. This information is subject to change. The part numbers that TE has identified as EU RoHS compliant have a maximum concentration of 0.1% by weight in homogenous materials for lead, hexavalent chromium, mercury, PBB, PBDE, DBP, BBP, DEHP, DIBP, and 0.01% for cadmium, or qualify for an exemption to these limits as defined in the Annexes of Directive 2011/65/EU (RoHS2). Finished electrical and electronic equipment products will be CE marked as required by Directive 2011/65/EU. Components may not be CE marked. Additionally, the part numbers that TE has identified as EU ELV compliant have a maximum concentration of 0.1% by weight in homogenous materials for lead, hexavalent chromium, and mercury, and 0.01% for cadmium, or qualify for an exemption to these limits as defined in the Annexes of Directive 2000/53/EC (ELV). Regarding the REACH Regulation, the information TE provides on SVHC in articles for this part number is based on the latest European Chemicals Agency (ECHA) 'Guidance on requirements for substances in articles' posted at this URL: <https://echa.europa.eu/guidance-documents/guidance-on-reach>

## Compatible Parts

Also in the Series | **MEAS 44000**

## Customers Also Bought



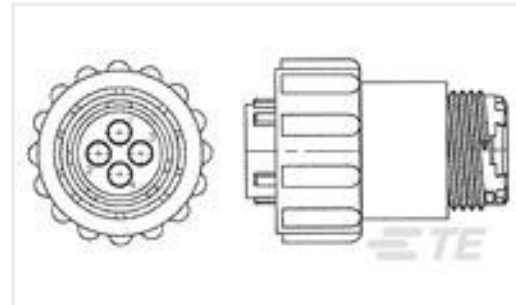
TE Part #323008  
PIDG R 22-16 COMM 22-18 MIL 6



TE Part #66360-3  
III+ SKT,18-14,15AU/FL,LP



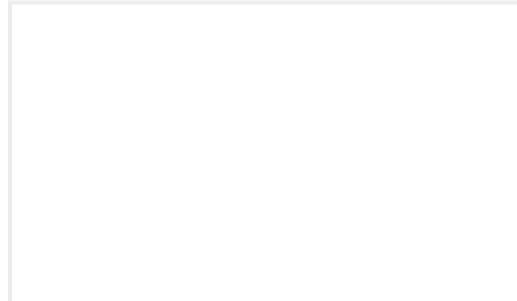
TE Part #321298  
TERMINAL,SOLIS R 6 10



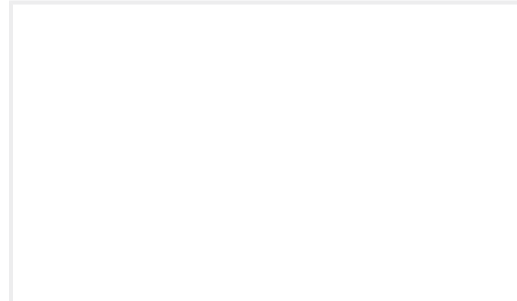
TE Part #796094-2  
SLD CPC PLUG ASY,11-4,STD SEX



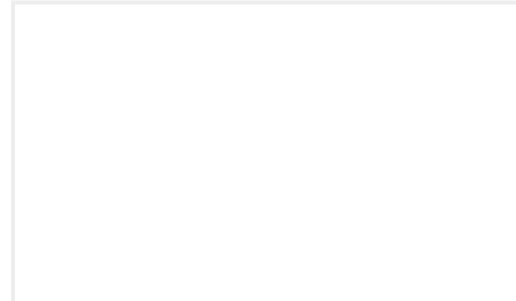
TE Part #608036-4  
SILICONE FUSION TAPE, 1"X36'



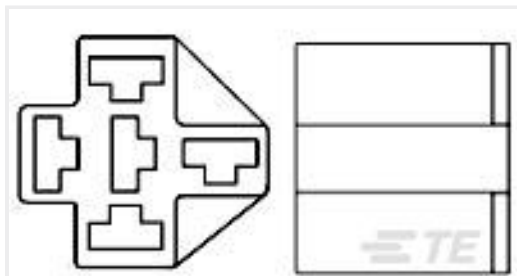
TE Part #SP19327-2  
19327-44031 THERM W/OMEGA LBL



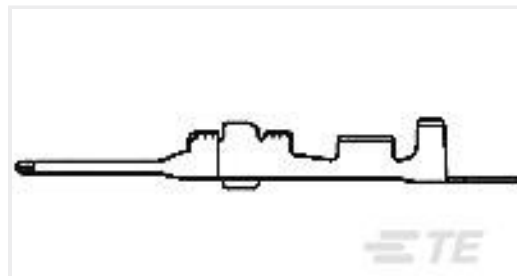
TE Part #SP19327-12  
19327-44005 THERM W/OMEGA LBL



TE Part #SP19327-15  
19327-44006 THERM W/OMEGA LBL



TE Part #3-1393310-7  
VCF4-1001=CONNECTOR,HOUSING



TE Part #917067-6  
040-2 TAB CONT S GOLD 22-18

## Documents

### Datasheets & Catalog Pages

[Model 44008 Datasheet](#)

English

[TESS-AND0-408-0000050](#)

English

[Model 44000 Series Datasheet](#)

English