



Connectors > Connector Accessories > Connector Hardware > Universal Headers: Ejector Latch



Connector Hardware Accessory Type: **Latch**

Primary Product Color: **Black**

Primary Product Material: **Thermoplastic**

Hardware Accessory Function: **Latching, Locking & Retention**

[All Universal Headers: Ejector Latch \(8\)](#)

Features

Product Type Features

Connector Hardware Accessory Type	Latch
Hardware Accessory Function	Latching, Locking & Retention

Body Features

Primary Product Color	Black
Primary Product Material	Thermoplastic

Dimensions

Product Length	16.31 mm
----------------	----------

Industry Standards

UL Flammability Rating	UL 94V-0
------------------------	----------

Packaging Features

Packaging Method	Package
Packaging Quantity	1

Product Compliance

[For compliance documentation, visit the product page on TE.com>](#)

EU RoHS Directive 2011/65/EU	Compliant
EU ELV Directive 2000/53/EC	Compliant
China RoHS 2 Directive MIIT Order No 32, 2016	No Restricted Materials Above Threshold
EU REACH Regulation (EC) No. 1907/2006	Current ECHA Candidate List: JAN 2025 (247) Candidate List Declared Against: JAN 2025 (247) Does not contain REACH SVHC
Halogen Content	Not Low Halogen - contains Br or Cl > 900 ppm.
Solder Process Capability	Not applicable for solder process capability

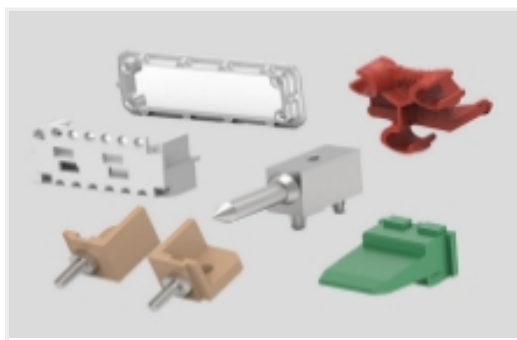
Product Compliance Disclaimer

This information is provided based on reasonable inquiry of our suppliers and represents our current actual knowledge based on the information they provided. This information is subject to change. The part numbers that TE has identified as EU RoHS compliant have a maximum concentration of 0.1% by weight in homogenous materials for lead, hexavalent chromium, mercury, PBB, PBDE, DBP, BBP, DEHP, DIBP, and 0.01% for cadmium, or qualify for an exemption to these limits as defined in the Annexes of Directive 2011/65/EU (RoHS2). Finished electrical and electronic equipment products will be CE marked as required by Directive 2011/65/EU. Components may not be CE marked. Additionally, the part numbers that TE has identified as EU ELV compliant have a maximum concentration of 0.1% by weight in homogenous materials for lead, hexavalent chromium, and mercury, and 0.01% for cadmium, or qualify for an exemption to these limits as defined in the Annexes of Directive 2000/53/EC (ELV). Regarding the REACH Regulation, the information TE provides on SVHC in articles for this part number is based on the latest European Chemicals Agency (ECHA) 'Guidance on requirements for substances in articles' posted at this URL: <https://echa.europa.eu/guidance-documents/guidance-on-reach>

Compatible Parts



Also in the Series | [AMP-LATCH Universal Headers](#)

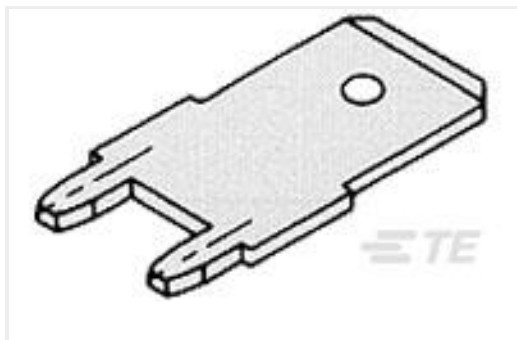


Connector Hardware(13)



Ribbon Cable Connectors(523)

Customers Also Bought



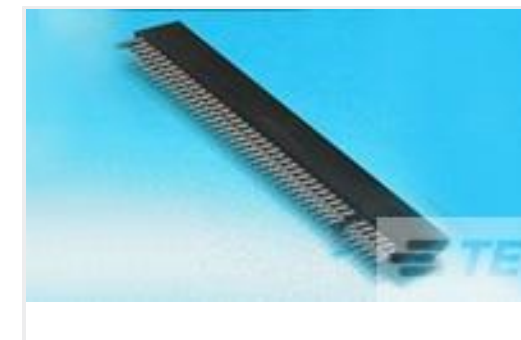
TE Part #1217566-2
250 FASTON,PCB TAB,TCBR



TE Part #CAT-AM74-UN384H
AMP-LATCH UNIVERSAL HEADERS



TE Part #6-103635-6
17 MTE HDR SRRA LATCH.100CL LF



TE Part #2-5530843-7
CONN SEC II 18 POS 100C/L



TE Part #1825097-1
TPB11CGPC004

Documents

Product Drawings

UNIVERSAL HEADER LATCH

English

CAD Files

3D PDF

3D

Customer View Model

[ENG_CVM_CVM_102312-1_AC.2d_dxf.zip](#)

English

Customer View Model

[ENG_CVM_CVM_102312-1_AC.3d_igs.zip](#)

English

Customer View Model

[ENG_CVM_CVM_102312-1_AC.3d_stp.zip](#)

English

By downloading the CAD file I accept and agree to the [Terms and Conditions](#) of use.



Datasheets & Catalog Pages

Ribbon Cable Interconnect Solutions

English

Product Specifications

Application Specification

English

Agency Approvals

Agency Approval Document

English