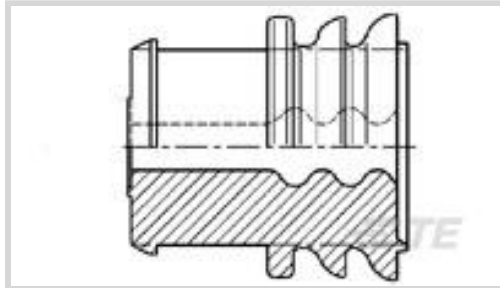




Connectors > Connector Accessories > Connector Seals & Cavity Plugs



Connector Seal & Plug Type: **Cavity Plug**

Operating Temperature Range: **-40 – 140 °C [-40 – 284 °F]**

Primary Product Color: **Black**

Primary Product Material: **Silicone Rubber**

Shore A Hardness: **50**

Features

Product Type Features

Connector Seal & Plug Type	Cavity Plug
----------------------------	-------------

Body Features

Primary Product Color	Black
Primary Product Material	Silicone Rubber

Usage Conditions

Operating Temperature Range	-40 – 140 °C[-40 – 284 °F]
Operating Temperature (Max)	140 °C[284 °F]

Packaging Features

Packaging Method	Carton
Packaging Quantity	5000

Other

Shore A Hardness	50
------------------	----

Product Compliance

[For compliance documentation, visit the product page on TE.com>](#)

EU RoHS Directive 2011/65/EU	Compliant
EU ELV Directive 2000/53/EC	Compliant
China RoHS 2 Directive MIIT Order No 32, 2016	No Restricted Materials Above Threshold
EU REACH Regulation (EC) No. 1907/2006	Current ECHA Candidate List: JAN 2025 (247)

Candidate List Declared Against: JAN 2025
(247)

Does not contain REACH SVHC

Halogen Content

Low Halogen - Br, Cl, F, I < 900 ppm per homogenous material. Also BFR/CFR/PVC Free

Solder Process Capability

Not applicable for solder process capability

Product Compliance Disclaimer

This information is provided based on reasonable inquiry of our suppliers and represents our current actual knowledge based on the information they provided. This information is subject to change. The part numbers that TE has identified as EU RoHS compliant have a maximum concentration of 0.1% by weight in homogenous materials for lead, hexavalent chromium, mercury, PBB, PBDE, DBP, BBP, DEHP, DIBP, and 0.01% for cadmium, or qualify for an exemption to these limits as defined in the Annexes of Directive 2011/65/EU (RoHS2). Finished electrical and electronic equipment products will be CE marked as required by Directive 2011/65/EU. Components may not be CE marked. Additionally, the part numbers that TE has identified as EU ELV compliant have a maximum concentration of 0.1% by weight in homogenous materials for lead, hexavalent chromium, and mercury, and 0.01% for cadmium, or qualify for an exemption to these limits as defined in the Annexes of Directive 2000/53/EC (ELV). Regarding the REACH Regulation, the information TE provides on SVHC in articles for this part number is based on the latest European Chemicals Agency (ECHA) 'Guidance on requirements for substances in articles' posted at this URL: <https://echa.europa.eu/guidance-documents/guidance-on-reach>

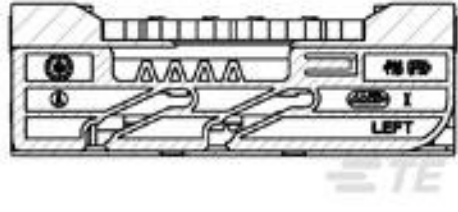
Compatible Parts



TE Part # 1379208-4
26W ASSY RECEPTACLE HSG



TE Part # 1-1379208-1
26W ASSY RECEPTACLE HSG



TE Part # 953756-7
47W RCPT HSG ASSY



TE Part # 953756-9
47W RCPT HSG ASSY



TE Part # CAT-T4827-CH8172
Timer Connector Housing

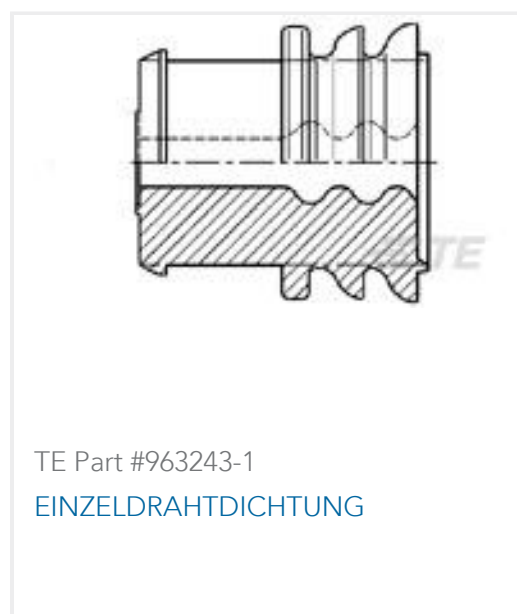


TE Part # 1379208-3
26W ASSY RECEPTACLE HSG



TE Part # 953756-1
47W RCPT HSG ASSY

Customers Also Bought



TE Part #963243-1
EINZELDRAHTDICHTUNG



TE Part #323065
TERMINAL,SOLIS R HR 12-10 3/8



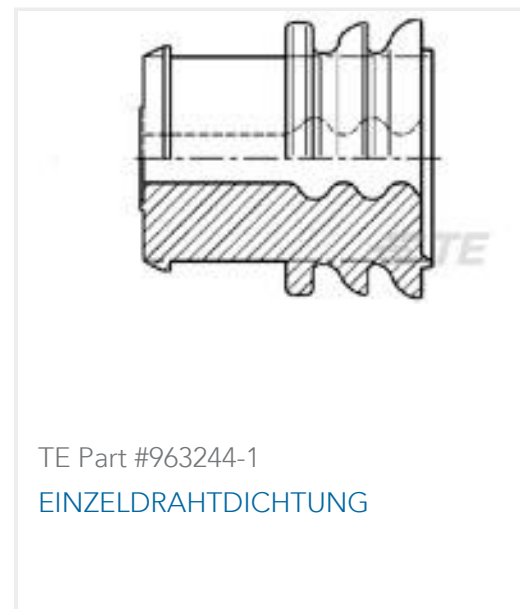
TE Part #4-1393254-2
W91-X152-10=M6/M7/M9/W6/W7



TE Part #2345754-1
STD TIMER PLUG HSG 2P W/EXT.
LOCKING



TE Part #852743-3
CRIMPER, WIRE



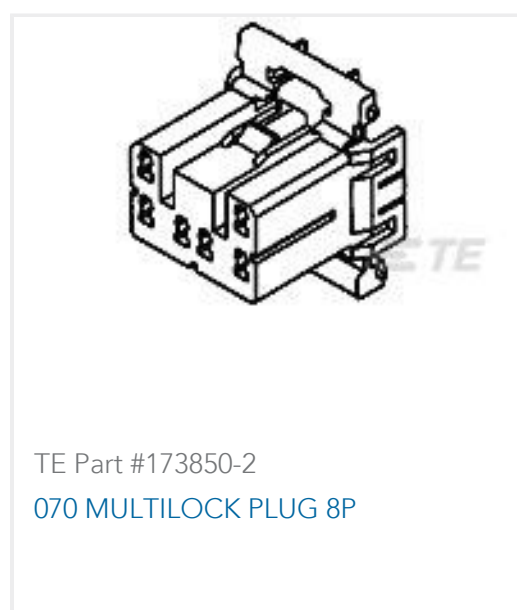
TE Part #963244-1
EINZELDRAHTDICHTUNG



TE Part #521229-1
PL 250 HOUSING RECEPTACLE
NYLON 6/6



TE Part #2-456405-7
CRIMPER, WIRE .080 "F"



TE Part #173850-2
070 MULTILOCK PLUG 8P



TE Part #2177472-1
73POS, MIXED,REC HSG,ASSY,BK

Documents

Product Drawings

CAVITY PLUG

English

CAD Files

Customer View Model

[ENG_CVM_100132-1_A3.3d_igs.zip](#)

English

Customer View Model

[ENG_CVM_100132-1_A3.3d_stp.zip](#)

English

Customer View Model

[ENG_CVM_100132-1_A3.2d_dxf.zip](#)

English

3D PDF

English

By downloading the CAD file I accept and agree to the [Terms and Conditions](#) of use.

Product Specifications



Application Specification

French

Instruction Sheets

Instruction Sheet (non U.S.)

French