



AMP | Circular Plastic Connectors Series 1, AMP Type III+

TE Internal #: 1-66360-4

Socket Contact, Gold (Au), Size 16 Contact Size, 18 – 14 AWG, .8 – 2 mm<sup>2</sup> Wire, Crimp, Copper Nickel Alloy, Power & Signal, AMP Type III+

[View on TE.com >](#)

Connectors > Contacts > Connector Contacts



Contact Type: **Socket**

Contact Mating Area Plating Material: **Gold (Au)**

Wire Contact Termination Area Plating Material: **Gold**

Contact Retention Within Housing: **With**

Contact Size: **Size 16**

### Features

#### Contact Features

|   |                        |
|---|------------------------|
| Contact Underplating Material                         | Nickel                 |
| Contact Orientation                                   | Straight               |
| Mating Pin Diameter                                   | 1.57 mm[.062 in]       |
| Contact Underplating Material Thickness               | .76 µm[30 µin]         |
| Contact Mating Area Plating Material Thickness        | .76 µm[30 µin]         |
| Wire Contact Termination Area Plating Material Finish | Bright                 |
| Wire Contact Termination Area Plating Thickness       | .12 – .2 µm[5 – 8 µin] |
| Contact Mating Area Plating Material Finish           | Bright                 |
| Contact Type  | Socket                 |
| Contact Mating Area Plating Material                  | Gold (Au)              |
| Wire Contact Termination Area Plating Material        | Gold                   |
| Contact Retention Within Housing                      | With                   |
| Contact Size  | Size 16                |
| Contact Base Material                                 | Copper Nickel Alloy    |



|                              |      |
|------------------------------|------|
| Contact Current Rating (Max) | 25 A |
|------------------------------|------|

### Termination Features

|                                    |              |
|------------------------------------|--------------|
| Termination Method to Wire & Cable | Crimp        |
| Product Terminates To              | Wire & Cable |

### Mechanical Attachment

|                         |      |
|-------------------------|------|
| Wire Insulation Support | With |
|-------------------------|------|

### Dimensions

|                                      |                              |
|--------------------------------------|------------------------------|
| Compatible Insulation Diameter Range | 2.03 – 2.54 mm [.08 – .1 in] |
| Wire Size                            | .8 – 2 mm <sup>2</sup>       |

### Usage Conditions

|                             |                             |
|-----------------------------|-----------------------------|
| Operating Temperature Range | -55 – 150 °C [-67 – 302 °F] |
|-----------------------------|-----------------------------|

### Operation/Application

|                     |                |
|---------------------|----------------|
| Circuit Application | Power & Signal |
|---------------------|----------------|

### Packaging Features

|                    |                     |
|--------------------|---------------------|
| Packaging Quantity | 1000                |
| Packaging Method   | Carton, Loose Piece |

## Product Compliance

[For compliance documentation, visit the product page on TE.com>](#)

|   |   |
|---|---|
| EU RoHS Directive 2011/65/EU                  | Compliant   |
| EU ELV Directive 2000/53/EC                   | Compliant   |
| China RoHS 2 Directive MIIT Order No 32, 2016 | No Restricted Materials Above Threshold   |
| EU REACH Regulation (EC) No. 1907/2006        | Current ECHA Candidate List: JAN 2025 (247)<br>Candidate List Declared Against: JAN 2025 (247)<br>Does not contain REACH SVHC |
| Halogen Content                               | Low Halogen - Br, Cl, F, I < 900 ppm per homogenous material. Also BFR/CFR/PVC Free   |
| Solder Process Capability                     | Not applicable for solder process capability  |

#### Product Compliance Disclaimer

This information is provided based on reasonable inquiry of our suppliers and represents our current actual knowledge based on the information they provided. This information is subject to change. The part numbers that TE has identified as EU RoHS compliant have a maximum concentration of 0.1% by weight in homogenous materials for lead, hexavalent



chromium, mercury, PBB, PBDE, DBP, BBP, DEHP, DIBP, and 0.01% for cadmium, or qualify for an exemption to these limits as defined in the Annexes of Directive 2011/65/EU (RoHS2). Finished electrical and electronic equipment products will be CE marked as required by Directive 2011/65/EU. Components may not be CE marked. Additionally, the part numbers that TE has identified as EU ELV compliant have a maximum concentration of 0.1% by weight in homogenous materials for lead, hexavalent chromium, and mercury, and 0.01% for cadmium, or qualify for an exemption to these limits as defined in the Annexes of Directive 2000/53/EC (ELV). Regarding the REACH Regulation, the information TE provides on SVHC in articles for this part number is based on the latest European Chemicals Agency (ECHA) 'Guidance on requirements for substances in articles' posted at this URL: <https://echa.europa.eu/guidance-documents/guidance-on-reach>


## Compatible Parts



TE Part # 1977878-1  
SLD CPC PLUG ASY, 11-4, STD SEX, UV RESIST



TE Part # 200893-2  
INSERTION TOOL CONT



TE Part # 206516-1  
CPC PLUG ASSEMBLY SIZE 11-4



TE Part # 208716-1  
CMC PLUG ASSEMBLY, SZ 14



TE Part # 213853-1  
CPC PLUG ASSEMBLY SIZE 23-19



TE Part # 213849-1  
CPC PLUG ASSEMBLY SIZE 17-16



TE Part # 208718-2  
CMC PLUG ASSEMBLY, SZ 14-5



TE Part # 211770-2  
CPC PLUG ASSEMBLY SIZE 23-19



TE Part # 796274-1  
SLD CPC PLUG ASSY, 17-16, STD SX



TE Part # 796274-2  
SLD CPC PLUG ASSY, 17-16, STD SX



TE Part # 796188-1  
SLD CPC PLUG ASSY, 23-24, STD SX



TE Part # 796271-1  
SLD CPC PLUG ASSY, 17-14, REV SX



TE Part # 206708-1  
CPC PLUG ASSEMBLY SIZE 13-9



TE Part # 208718-1  
CMC PLUG ASSEMBLY, SZ 14-5



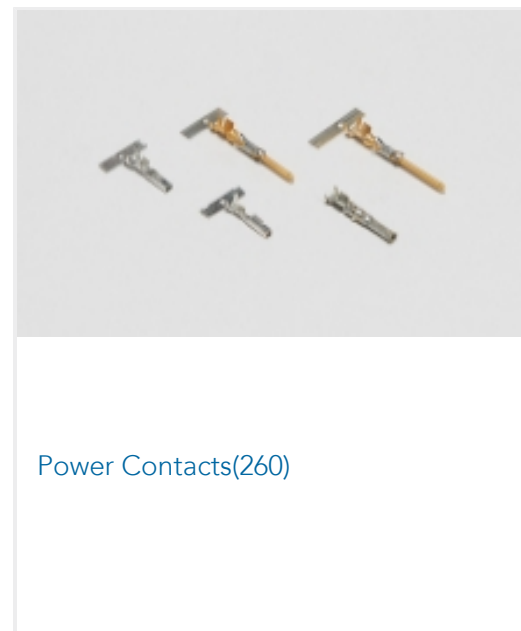
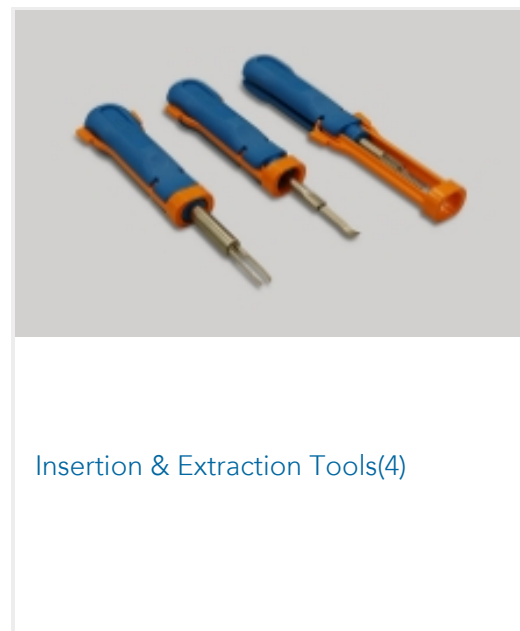
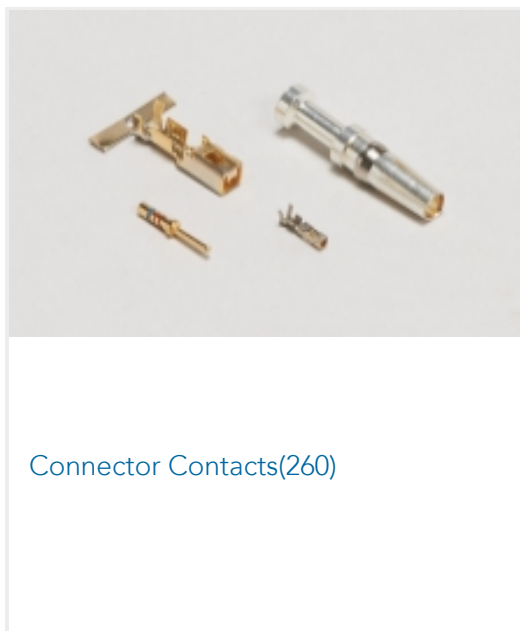
TE Part # 208470-1  
CMC PLUG ASSEMBLY, SZ 28



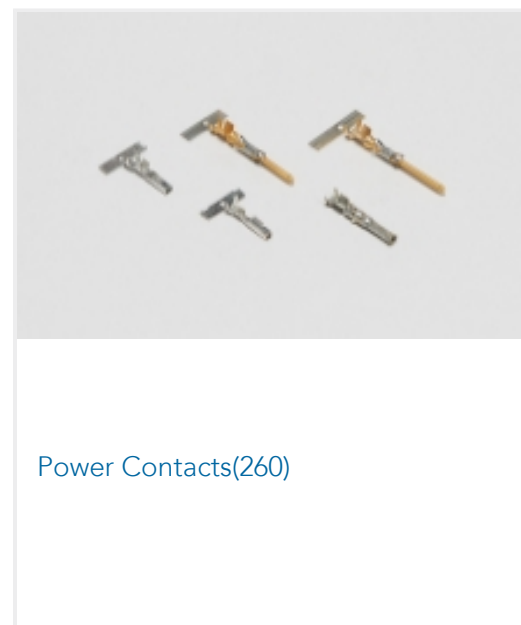
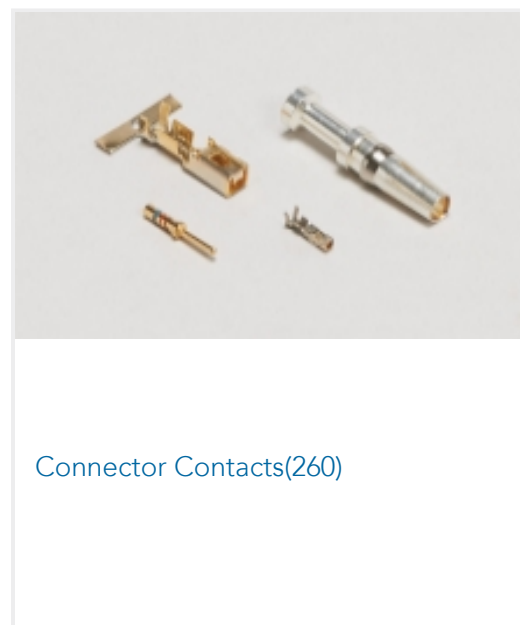
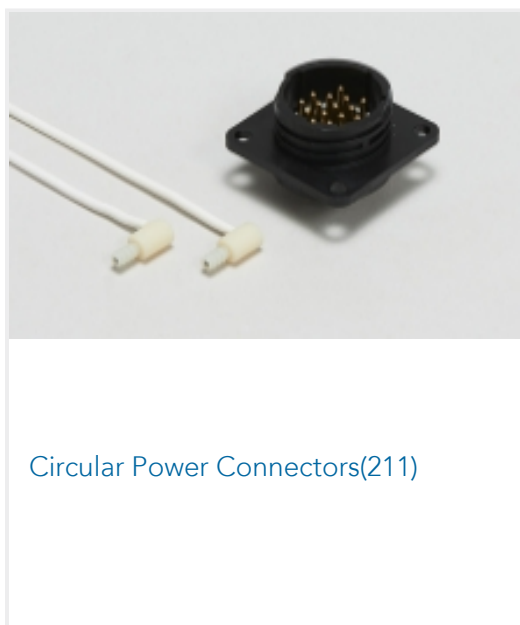
TE Part # 211400-1  
CPC PLUG ASSEMBLY SIZE 13-7



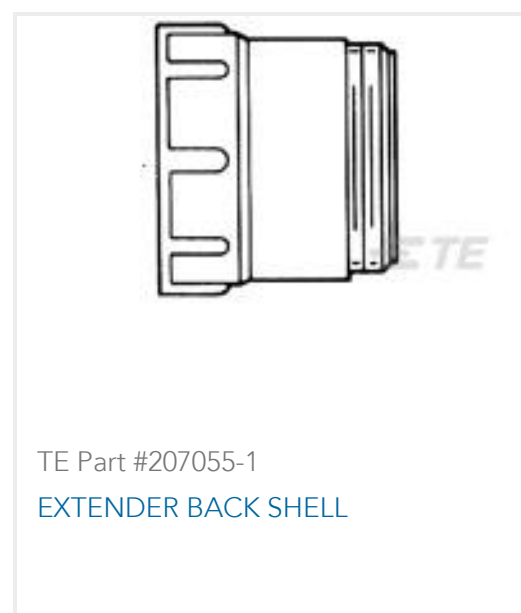
Also in the Series | **AMP Type III+**

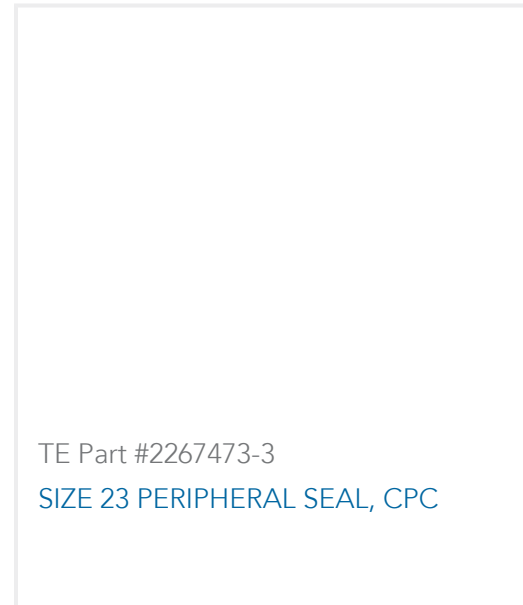


Also in the Series | **Circular Plastic Connectors Series 1**



Customers Also Bought





## Documents

### CAD Files

3D PDF

3D

Customer View Model

[ENG\\_CVM\\_CVM\\_1-66360-4\\_AH.2d\\_dxf.zip](#)

English

Customer View Model

[ENG\\_CVM\\_CVM\\_1-66360-4\\_AH.3d\\_igs.zip](#)

English

Customer View Model

[ENG\\_CVM\\_CVM\\_1-66360-4\\_AH.3d\\_stp.zip](#)

English

By downloading the CAD file I accept and agree to the [Terms and Conditions](#) of use.

### Datasheets & Catalog Pages

[AMP Circular Connectors for Commercial Signal & Power Applications](#)

English

[Signal Contacts](#)

English

### Product Specifications

[Engineering Report](#)

English