

1-215297-0 ✓ ACTIVE

AMPMODU | AMPMODU HV-100/HV-190

TE Internal #: 1-215297-0

PCB Mount Receptacle, Vertical, Board-to-Board, 10 Position, 2.54 mm [.1 in] Centerline, Fully Shrouded, Gold (Au), AMPMODU HV-100/HV-190

[View on TE.com >](#)



Connectors > PCB Connectors > PCB Headers & Receptacles



PCB Connector Type: **PCB Mount Receptacle**

PCB Mount Orientation: **Vertical**

Connector System: **Board-to-Board**

Number of Positions: **10**

Number of Rows: **1**

Features

Product Type Features

| | |
|-----------------------------------|-----------------------|
| PCB Connector Type | PCB Mount Receptacle |
| Connector System | Board-to-Board |
| Header Type | Fully Shrouded |
| Sealable | No |
| Connector & Contact Terminates To | Printed Circuit Board |
| Connector Product Type | Connector Assembly |

Configuration Features

| | |
|-----------------------|----------|
| Stackable | Yes |
| PCB Mount Orientation | Vertical |
| Number of Positions | 10 |
| Number of Rows | 1 |

Body Features

| | |
|-----------------------|----------|
| Connector Profile | Standard |
| Primary Product Color | Black |



Contact Features

| | |
|---|---|
| Mating Pin Diameter | .63 mm[.024 in] |
| Mating Square Post Dimension | .63 mm[.024 in] |
| PCB Contact Termination Area Plating Material Thickness | 3 – 5 μm [118.11 – 196.85 μin] |
| Contact Shape & Form | Square |
| Contact Layout | Inline |
| Contact Protection Type | Closed Entry Housing |
| Contact Base Material | Phosphor Bronze |
| PCB Contact Termination Area Plating Material | Tin |
| Contact Mating Area Plating Material | Gold (Au) |
| Contact Type | Socket |
| Contact Current Rating (Max) | 3 A |

Termination Features

| | |
|---|-----------------------|
| Rectangular Termination Post & Tail Width | .69 mm[.027 in] |
| Rectangular Termination Post & Tail Thickness | .2 mm[.008 in] |
| Termination Post & Tail Length | 3.1 mm[.122 in] |
| Termination Method to PCB | Through Hole - Solder |

Mechanical Attachment

| | |
|--------------------------|------------------------|
| PCB Mount Retention Type | Retention Solder Tails |
| PCB Mount Retention | With |

Housing Features

| | |
|-----------------------|----------------|
| Mating Entry Location | Top |
| Housing Material | Polyester GF |
| Centerline (Pitch) | 2.54 mm[.1 in] |

Dimensions

| | |
|-----------------------------|-----------------|
| PCB Thickness (Recommended) | 1.6 mm[.063 in] |
| Connector Height | 7 mm[.276 in] |

Usage Conditions

| | |
|-----------------------------|--|
| Operating Temperature (Max) | 125 °C[221 °F][257 °F] |
| Operating Temperature Range | -65 – 125 °C[-67 – 221 °F][-85 – 257 °F] |

Operation/Application

| | |
|------------------------|----------------|
| Solder Process Feature | Board Standoff |
|------------------------|----------------|



Circuit Application

Signal

Industry Standards

UL Flammability Rating

UL 94V-0

Packaging Features

Packaging Quantity

72

Packaging Method

Carton

Product Compliance

[For compliance documentation, visit the product page on TE.com>](#)

EU RoHS Directive 2011/65/EU

Compliant

EU ELV Directive 2000/53/EC

Compliant

China RoHS 2 Directive MIIT Order No 32, 2016

No Restricted Materials Above Threshold

EU REACH Regulation (EC) No. 1907/2006

Current ECHA Candidate List: JAN 2025
(247)
Candidate List Declared Against: JAN 2025
(247)
Does not contain REACH SVHC

Halogen Content

Not Low Halogen - contains Br or Cl > 900
ppm.

Solder Process Capability

Wave solder capable to 265°C

Product Compliance Disclaimer

This information is provided based on reasonable inquiry of our suppliers and represents our current actual knowledge based on the information they provided. This information is subject to change. The part numbers that TE has identified as EU RoHS compliant have a maximum concentration of 0.1% by weight in homogenous materials for lead, hexavalent chromium, mercury, PBB, PBDE, DBP, BBP, DEHP, DIBP, and 0.01% for cadmium, or qualify for an exemption to these limits as defined in the Annexes of Directive 2011/65/EU (RoHS2). Finished electrical and electronic equipment products will be CE marked as required by Directive 2011/65/EU. Components may not be CE marked. Additionally, the part numbers that TE has identified as EU ELV compliant have a maximum concentration of 0.1% by weight in homogenous materials for lead, hexavalent chromium, and mercury, and 0.01% for cadmium, or qualify for an exemption to these limits as defined in the Annexes of Directive 2000/53/EC (ELV). Regarding the REACH Regulation, the information TE provides on SVHC in articles for this part number is based on the latest European Chemicals Agency (ECHA) 'Guidance on requirements for substances in articles' posted at this URL: <https://echa.europa.eu/guidance-documents/guidance-on-reach>

Compatible Parts



TE Part # 1-966306-0
MOD2 ST-LEI SMD 10P



TE Part # 1-826630-0
10P AMPMODU II STIFT LEI



TE Part # 1-826647-0
10P AMPMODU II STIFT LEI



TE Part # 1-826646-0
10P AMPMODU II STIFT LEI



TE Part # 1-826629-0
10P AMPMODU II STIFT LEI



TE Part # 1-826652-0
10P AMPMODU II STIFT LEI



TE Part # 1-1241150-0
10P MOD II BREAK AWAY HDR,SMD,
BLISTER



TE Part # 1-966710-0
MODU II PIN HEADER, SGL ROW,
SMD- 10 POS

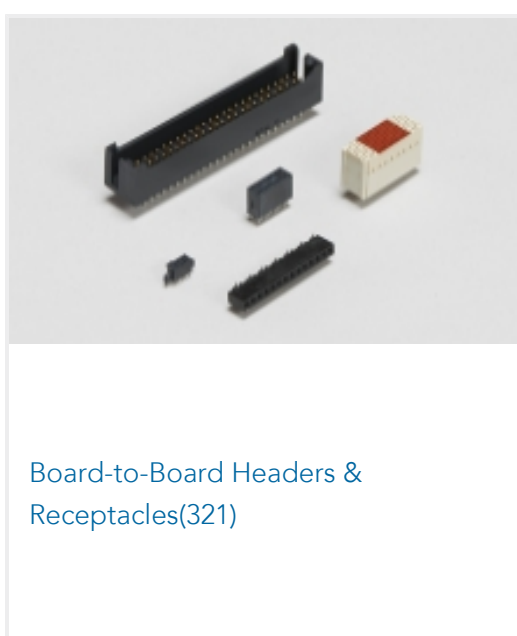


TE Part # 1-826648-0
10P AMPMODU II STIFT LEI



TE Part # 1-826631-0
AMPMODU II R/A DR HEADER

Also in the Series | **AMPMODU HV-100/HV-190**



Board-to-Board Headers &
Receptacles(321)



PCB Headers & Receptacles(321)

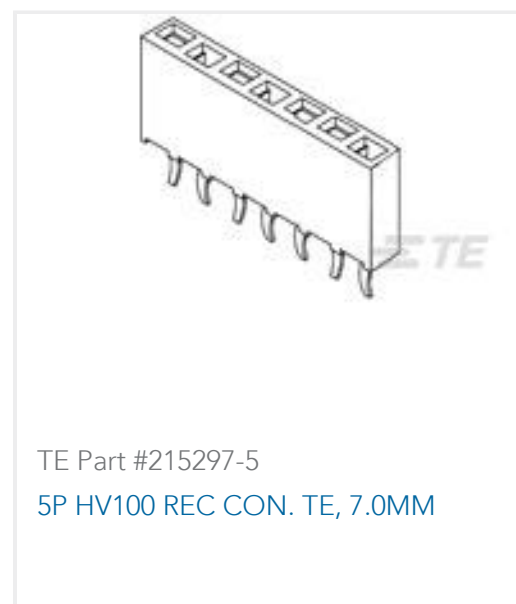
Customers Also Bought



TE Part #534206-9
18 MODII VRT DR CE 100/115



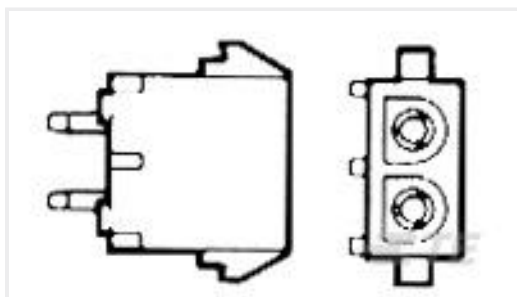
TE Part #8-1419132-9
PT580615



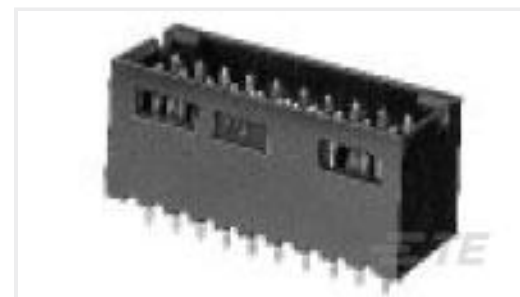
TE Part #215297-5
5P HV100 REC CON. TE, 7.0MM



TE Part #215297-6
6P HV100 REC CON. TE, 7.0MM



TE Part #350789-3
03P UMNL PIN HDR ASSY 94VO



TE Part #5-87589-5
18 MODII HDR DRST SHRD .100CL



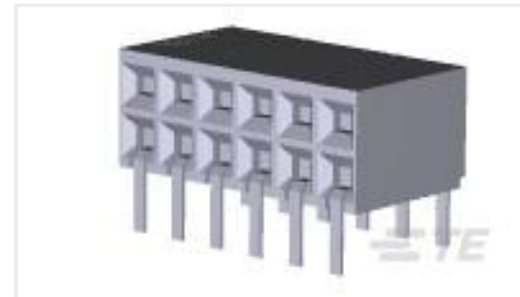
TE Part #1-794075-0
16P MINI UMNL HDR W/O DH SN



TE Part #1-794076-0
18P MINI UMNL HDR W/O DH SN LF



TE Part #8-2176271-5
RU 0805 2K0 0.01% 2PPM 1K RL



TE Part #5535512-1
12 MODII HORZ DR CE

Documents

Product Drawings

10P HV100 REC CON. TE, 7.0MM

English

CAD Files

3D PDF

3D

Customer View Model

[ENG_CVM_CVM_1-215297-0_E.2d_dxf.zip](#)

English

Customer View Model

[ENG_CVM_CVM_1-215297-0_E.3d_igs.zip](#)

English

Customer View Model

[ENG_CVM_CVM_1-215297-0_E.3d_stp.zip](#)

English

By downloading the CAD file I accept and agree to the [Terms and Conditions](#) of use.

Product Specifications

Product Specification

English