



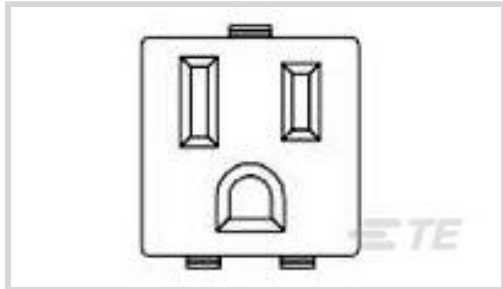
AMP

TE Internal #: 1-208979-2

Wire & Cable, 15 A, Orange, 12 AWG / 14 AWG, Nylon, 26.9 mm [1.06 in] Height, 26.9 mm [1.06 in] Width, 30.3 mm [1.19 in] Depth, Panel & PCB Outlets

[View on TE.com >](#)

Connectors > Power Connectors > Panel & PCB Outlets



Connector & Contact Terminates To: **Wire & Cable**

Contact Current Rating (Max): **15 A**

Housing Color: **Orange**

Wire Size: **12 AWG, 14 AWG**

Housing Material: **Nylon**

Features

Product Type Features

| | |
|-----------------------------------|----------------|
| Connector System | Cable-to-Panel |
| Connector & Contact Terminates To | Wire & Cable |

Configuration Features

| | |
|---------------------|---|
| Number of Positions | 3 |
|---------------------|---|

Body Features

| | |
|----------------|-------|
| Cover Color | Black |
| Cover Material | Nylon |

Contact Features

| | |
|------------------------------|-------|
| Contact Base Material | Brass |
| Contact Current Rating (Max) | 15 A |

Termination Features

| | |
|------------------------------------|------------|
| Termination Method to Wire & Cable | FASTON Tab |
|------------------------------------|------------|

Mechanical Attachment

| | |
|-------------------------|-------------|
| Connector Mounting Type | Panel Mount |
|-------------------------|-------------|

Housing Features

| | |
|--------------------|----------------|
| Centerline (Pitch) | 12.7 mm[.5 in] |
| Housing Color | Orange |



| | |
|------------------|-------|
| Housing Material | Nylon |
|------------------|-------|

Dimensions

| | |
|----------------|------------------|
| Wire Size | 12 AWG, 14 AWG |
| Product Height | 26.9 mm[1.06 in] |
| Product Width | 26.9 mm[1.06 in] |
| Product Depth | 30.3 mm[1.19 in] |

Usage Conditions

| | |
|-----------------------------|----------------------------|
| Operating Temperature Range | -40 – 110 °C[-40 – 230 °F] |
|-----------------------------|----------------------------|

Operation/Application

| | |
|---------------------|-------|
| Circuit Application | Power |
|---------------------|-------|

Product Compliance

[For compliance documentation, visit the product page on TE.com>](#)

| | |
|---|---|
| EU RoHS Directive 2011/65/EU | Compliant |
| EU ELV Directive 2000/53/EC | Compliant |
| China RoHS 2 Directive MIIT Order No 32, 2016 | No Restricted Materials Above Threshold |
| EU REACH Regulation (EC) No. 1907/2006 | Current ECHA Candidate List: JAN 2025 (247) Candidate List Declared Against: JAN 2025 (247) Does not contain REACH SVHC |
| Halogen Content | Low Halogen - Br, Cl, F, I < 900 ppm per homogenous material. Also BFR/CFR/PVC Free |
| Solder Process Capability | Not applicable for solder process capability |

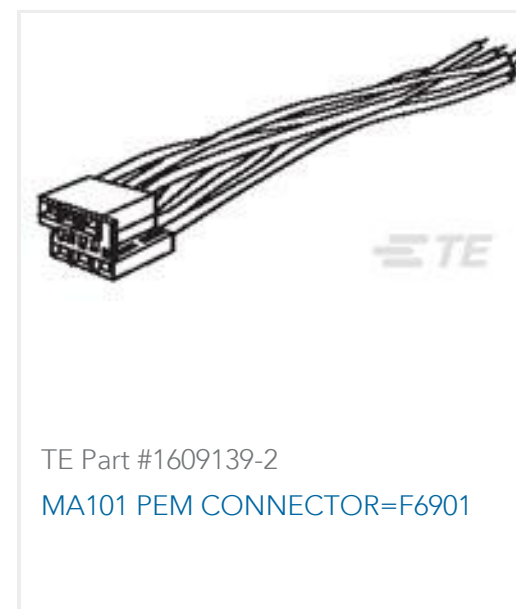
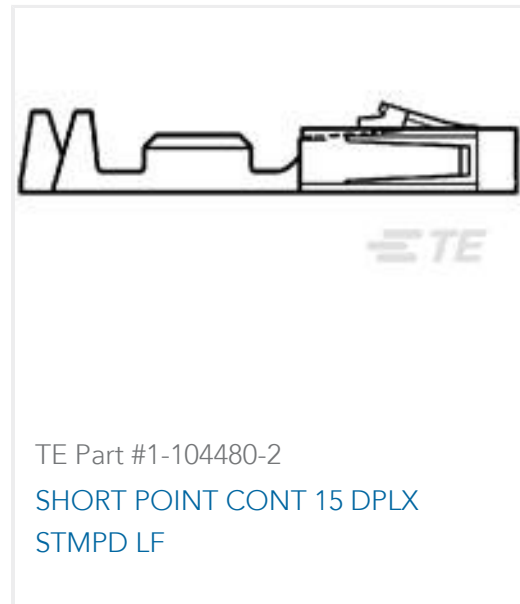
Product Compliance Disclaimer

This information is provided based on reasonable inquiry of our suppliers and represents our current actual knowledge based on the information they provided. This information is subject to change. The part numbers that TE has identified as EU RoHS compliant have a maximum concentration of 0.1% by weight in homogenous materials for lead, hexavalent chromium, mercury, PBB, PBDE, DBP, BBP, DEHP, DIBP, and 0.01% for cadmium, or qualify for an exemption to these limits as defined in the Annexes of Directive 2011/65/EU (RoHS2). Finished electrical and electronic equipment products will be CE marked as required by Directive 2011/65/EU. Components may not be CE marked. Additionally, the part numbers that TE has identified as EU ELV compliant have a maximum concentration of 0.1% by weight in homogenous materials for lead, hexavalent chromium, and mercury, and 0.01% for cadmium, or qualify for an exemption to these limits as defined in the Annexes of Directive 2000/53/EC (ELV). Regarding the REACH Regulation, the information TE provides on SVHC in articles for this part number is based on the latest European Chemicals Agency (ECHA) 'Guidance on requirements for substances in articles' posted at this URL: <https://echa.europa.eu/guidance-documents/guidance-on-reach>

Compatible Parts



Customers Also Bought



Documents

Product Drawings

[CONV OUTLET ASSEMBLY \(ORANGE\)](#)

English

CAD Files

Customer View Model

[ENG_CVM_CVM_1-208979-2_AE.2d_dxf.zip](#)

English

[3D PDF](#)



3D

Customer View Model

[ENG_CVM_CVM_1-208979-2_AE.3d_igs.zip](#)

English

Customer View Model

[ENG_CVM_CVM_1-208979-2_AE.3d_stp.zip](#)

English

By downloading the CAD file I accept and agree to the [Terms and Conditions](#) of use.

Datasheets & Catalog Pages

[POWER_CONNECTORS_CATALOG_SEC08_AC_INPUTS](#)

English

Instruction Sheets

[Instruction Sheet \(U.S.\)](#)

English

Agency Approvals

[UL Report](#)

English