



Passive Components > Resistors > Through-Hole Resistors



Resistance Value: **60.4 Ω**

Resistor Type: **Precision Resistor**

Element Type: **Thin Film**

Power Rating: **.25 W**

Resistance Class: **Up to 1kΩ**

## Features

### Product Type Features

Resistor Type	Precision Resistor
Element Type	Thin Film

### Configuration Features

Number of Resistors	1
---------------------	---

### Electrical Characteristics

Operating Voltage	250 V
Resistance Value	60.4 Ω
Power Rating	.25 W
Resistance Class	Up to 1kΩ
Passive Component Tolerance	.1 %

### Body Features

Lead Type	Axial-Leaded
-----------	--------------

### Termination Features

Termination Area Base Material	Copper
Number of Terminations	2

### Dimensions

Passive Component Dimensions	6.3 x 2.3 mm
------------------------------	--------------



### Usage Conditions

Operating Temperature Range	-65 – 155 °C
Temperature Coefficient	±15 ppm/°C

### Packaging Features

Packaging Method	Ammo Packed
------------------	-------------

### Product Compliance

[For compliance documentation, visit the product page on TE.com>](#)

EU RoHS Directive 2011/65/EU	Compliant
EU ELV Directive 2000/53/EC	Compliant
China RoHS 2 Directive MIIT Order No 32, 2016	No Restricted Materials Above Threshold
EU REACH Regulation (EC) No. 1907/2006	Current ECHA Candidate List: JAN 2025 (247) Candidate List Declared Against: JAN 2025 (247) Does not contain REACH SVHC
Halogen Content	Low Halogen - Br, Cl, F, I < 900 ppm per homogenous material. Also BFR/CFR/PVC Free
Solder Process Capability	Reflow solder capable to 260°C

#### Product Compliance Disclaimer

This information is provided based on reasonable inquiry of our suppliers and represents our current actual knowledge based on the information they provided. This information is subject to change. The part numbers that TE has identified as EU RoHS compliant have a maximum concentration of 0.1% by weight in homogenous materials for lead, hexavalent chromium, mercury, PBB, PBDE, DBP, BBP, DEHP, DIBP, and 0.01% for cadmium, or qualify for an exemption to these limits as defined in the Annexes of Directive 2011/65/EU (RoHS2). Finished electrical and electronic equipment products will be CE marked as required by Directive 2011/65/EU. Components may not be CE marked. Additionally, the part numbers that TE has identified as EU ELV compliant have a maximum concentration of 0.1% by weight in homogenous materials for lead, hexavalent chromium, and mercury, and 0.01% for cadmium, or qualify for an exemption to these limits as defined in the Annexes of Directive 2000/53/EC (ELV). Regarding the REACH Regulation, the information TE provides on SVHC in articles for this part number is based on the latest European Chemicals Agency (ECHA) 'Guidance on requirements for substances in articles' posted at this URL: <https://echa.europa.eu/guidance-documents/guidance-on-reach>

### Compatible Parts




TE Part # 2-1676913-6  
YR1 0.1% 1K0



TE Part # 1622796-1  
YR1 0.1% 100K



TE Part # 1622796-6  
YR1 0.1% 10K



TE Part # 2-1676913-7  
YR1 0.1% 1M0




TE Part # 1622796-2  
YR1 0.1% 100R

### Also in the Series | Neohm R



Eurocard Connectors(1)

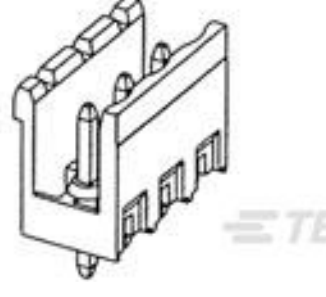


Through-Hole Resistors(484)

### Customers Also Bought



TE Part #2-1676914-2  
YR1 0.1% 3K83



TE Part #282824-3  
TERMI-BLOK HEADER,ASSY90 3P.5



TE Part #5-1622796-3  
YR1 0.1% 348R



TE Part #2-1676913-8  
YR1 0.1% 205R



TE Part #1879075-4  
THS25 R10 5%



TE Part #5745071-2  
HD-20 PLUG 9P VERT FFSCRLK



TE Part #6-1879026-3  
YR1 0.1% 34R8



TE Part #1622342-1  
LR1 1% 180R



## Documents

### Product Drawings

[YR1 0.1% 60R4](#)

English

### CAD Files

[3D PDF](#)

3D

Customer View Model

[ENG\\_CVM\\_CVM\\_1-1879027-0\\_BA.2d\\_dxf.zip](#)

English

Customer View Model

[ENG\\_CVM\\_CVM\\_1-1879027-0\\_BA.3d\\_igs.zip](#)

English

Customer View Model

[ENG\\_CVM\\_CVM\\_1-1879027-0\\_BA.3d\\_stp.zip](#)

English

By downloading the CAD file I accept and agree to the [Terms and Conditions](#) of use.

### Datasheets & Catalog Pages

[1309350\\_PASSIVE\\_COMPONENT](#)

English

[SMD Moulded Power Resistor - Type SM Series - Tyco Electronics Passives](#)

English