



Sensors > Position Sensors > Signal Conditioners > ANALOG OEM SIGNAL CONDITIONER



Voltage Requirements: -12 – 12 VDC, -15 – 15 VDC

Transducer Type: LVDT or RVDT with 5 or 6 wires

Operating Temperature Range: -1 – 55 °C [30 – 131 °F]

Sensor Mount Type: Printed Circuit Board Edge or Terminal Block

Number of Channels: 1

[All ANALOG OEM SIGNAL CONDITIONER \(0\)](#)

Features

Product Type Features

Display Type	None
--------------	------

Electrical Characteristics

Voltage Requirements	-12 – 12 VDC, -15 – 15 VDC
----------------------	----------------------------

Excitation Voltage	3 Vrms
--------------------	--------

Signal Characteristics

Number of Channels	1
--------------------	---

Excitation Frequency	2.5 – 10 kHz
----------------------	--------------

Mechanical Attachment

Sensor Mount Type	Printed Circuit Board Edge or Terminal Block
-------------------	--

Usage Conditions

Operating Temperature Range	-1 – 55 °C[30 – 131 °F]
-----------------------------	-------------------------

Other

Transducer Type	LVDT or RVDT with 5 or 6 wires
-----------------	--------------------------------

Product Compliance

[For compliance documentation, visit the product page on TE.com>](#)

EU RoHS Directive 2011/65/EU	Not Compliant
EU ELV Directive 2000/53/EC	Not Yet Reviewed
China RoHS 2 Directive MIIT Order No 32, 2016	Restricted Materials Above Threshold
EU REACH Regulation (EC) No. 1907/2006	<p>Current ECHA Candidate List: JAN 2025 (247)</p> <p>Candidate List Declared Against: JAN 2025 (247)</p> <p>SVHC > Threshold:</p> <p>Pb (4% in Component Part)</p> <p>Article Safe Usage Statements: Do not eat, drink or smoke when using this product. Wash thoroughly after handling. Recycle if possible and dispose of the article by following all applicable governmental regulations relevant to your geographic location.</p>
Halogen Content	Not Yet Reviewed for halogen content
Solder Process Capability	Not reviewed for solder process capability

Product Compliance Disclaimer

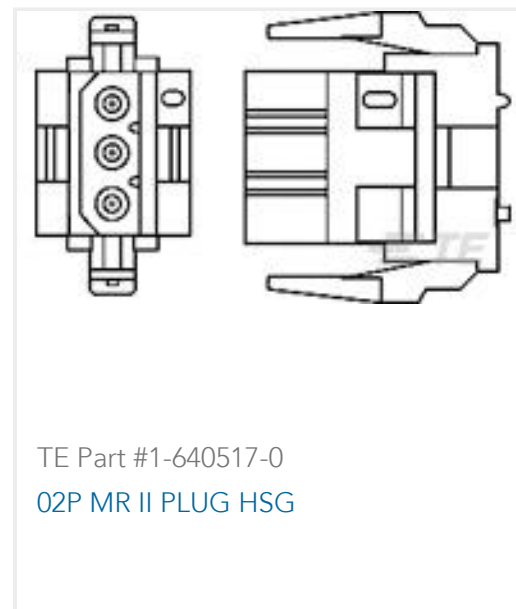
This information is provided based on reasonable inquiry of our suppliers and represents our current actual knowledge based on the information they provided. This information is subject to change. The part numbers that TE has identified as EU RoHS compliant have a maximum concentration of 0.1% by weight in homogenous materials for lead, hexavalent chromium, mercury, PBB, PBDE, DBP, BBP, DEHP, DIBP, and 0.01% for cadmium, or qualify for an exemption to these limits as defined in the Annexes of Directive 2011/65/EU (RoHS2). Finished electrical and electronic equipment products will be CE marked as required by Directive 2011/65/EU. Components may not be CE marked. Additionally, the part numbers that TE has identified as EU ELV compliant have a maximum concentration of 0.1% by weight in homogenous materials for lead, hexavalent chromium, and mercury, and 0.01% for cadmium, or qualify for an exemption to these limits as defined in the Annexes of Directive 2000/53/EC (ELV). Regarding the REACH Regulations, TE's information on SVHC in articles for this part number is still based on the European Chemical Agency (ECHA) 'Guidance on requirements for substances in articles' (Version: 2, April 2011), applying the 0.1% weight on weight concentration threshold at the finished product level. TE is aware of the European Court of Justice ruling of September 10th, 2015 also known as O5A (Once An Article Always An Article) stating that, in case of 'complex object', the threshold for a SVHC must be applied to both the product as a whole and simultaneously to each of the articles forming part of its composition. TE has evaluated this ruling based on the new ECHA "Guidance on requirements for substances in articles" (June 2017, version 4.0) and will be updating its statements accordingly.

Also in the Series | [MEAS LVM-110](#)



Signal Conditioners(2)

Customers Also Bought



Documents

Datasheets & Catalog Pages

Voltage Output, LVDT/RVDT OEM Signal Conditioner

English