



Sensors > Position Sensors > LVDT Sensors > ECONOMY LVDT POSITION SENSOR



Linearity Error (Full Range):  $\pm 5\%$

Case Material: **Stainless Steel**

Product Shape: **Cylindrical**

Supply Voltage Range: **3 V**

Operating Temperature Range: **-55 – 95 °C [ -67 – 203 °F ]**

[All ECONOMY LVDT POSITION SENSOR \(0\)](#)

## Features

### Product Type Features

Product Shape	Cylindrical
---------------	-------------

### Configuration Features

Electrical Connection	Leads
-----------------------	-------

### Electrical Characteristics

Supply Voltage Range	3 V
----------------------	-----

### Signal Characteristics

Excitation Frequency	.05 – 10 kHz
----------------------	--------------

### Body Features

Case Material	Stainless Steel
---------------	-----------------

Core Configuration	Separate Core
--------------------	---------------

### Dimensions

Product Diameter	19.05 mm [.75 in]
------------------	-------------------

### Usage Conditions

Operating Temperature Range	-55 – 95 °C [ -67 – 203 °F ]
-----------------------------	------------------------------

### Industry Standards

--	--

IP Rating	IP61
-----------	------

### Other

Linearity Error (Full Range)	±.5 %
------------------------------	-------

## Product Compliance

[For compliance documentation, visit the product page on TE.com>](#)

EU RoHS Directive 2011/65/EU	Compliant
------------------------------	-----------

EU ELV Directive 2000/53/EC	Not Yet Reviewed
-----------------------------	------------------

China RoHS 2 Directive MIIT Order No 32, 2016	No Restricted Materials Above Threshold
---	---

EU REACH Regulation (EC) No. 1907/2006	<p>Current ECHA Candidate List: JAN 2025 (247)</p> <p>Candidate List Declared Against: JAN 2025 (247)</p> <p>SVHC &gt; Threshold:</p> <p>Terphenyl hydrogenated (10% in Component Part)</p> <p><b>Article Safe Usage Statements:</b> Wash thoroughly after handling. Recycle if possible and dispose of the article by following all applicable governmental regulations relevant to your geographic location.</p>
--	--

Halogen Content	Not Yet Reviewed for halogen content
-----------------	--------------------------------------

Solder Process Capability	Not reviewed for solder process capability
---------------------------	--

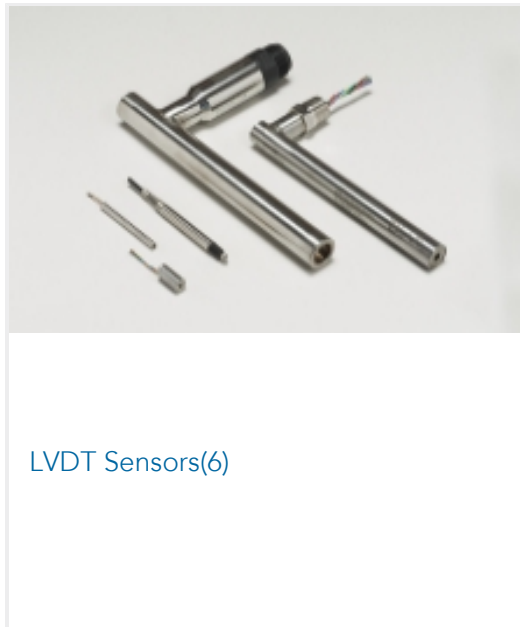
### Product Compliance Disclaimer

This information is provided based on reasonable inquiry of our suppliers and represents our current actual knowledge based on the information they provided. This information is subject to change. The part numbers that TE has identified as EU RoHS compliant have a maximum concentration of 0.1% by weight in homogenous materials for lead, hexavalent chromium, mercury, PBB, PBDE, DBP, BBP, DEHP, DIBP, and 0.01% for cadmium, or qualify for an exemption to these limits as defined in the Annexes of Directive 2011/65/EU (RoHS2). Finished electrical and electronic equipment products will be CE marked as required by Directive 2011/65/EU. Components may not be CE marked. Additionally, the part numbers that TE has identified as EU ELV compliant have a maximum concentration of 0.1% by weight in homogenous materials for lead, hexavalent chromium, and mercury, and 0.01% for cadmium, or qualify for an exemption to these limits as defined in the Annexes of Directive 2000/53/EC (ELV). Regarding the REACH Regulations, TE's information on SVHC in articles for this part number is still based on the European Chemical Agency (ECHA) 'Guidance on requirements for substances in articles' (Version: 2, April 2011), applying the 0.1% weight on weight concentration threshold at the finished product level. TE is aware of the European Court of Justice ruling of September 10th, 2015 also known as O5A (Once An Article Always An Article) stating that, in case of 'complex object', the threshold for a SVHC must be applied to both the product as a whole and simultaneously to each of the articles forming part of its composition. TE has evaluated this ruling based on the new ECHA "Guidance on requirements for substances in articles" (June 2017, version 4.0) and will be updating its statements accordingly.

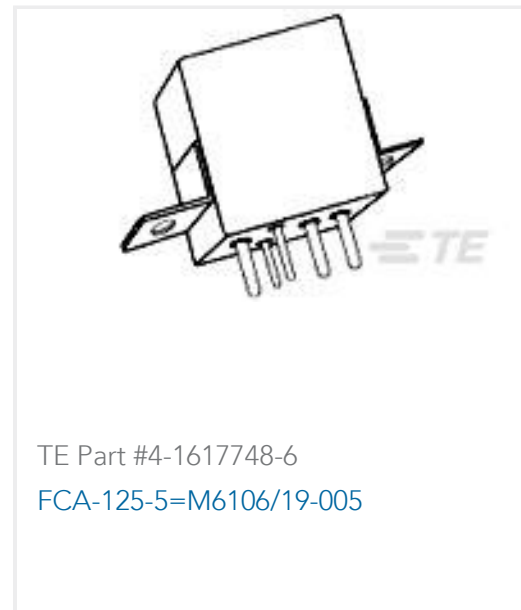
## Compatible Parts



### Also in the Series | MEAS E



### Customers Also Bought



### Documents

[CAD Files](#)

[3D PDF](#)

[3D](#)

[Customer View Model](#)

[ENG\\_CVM\\_CVM\\_02560542-000\\_J.2d\\_dxf.zip](#)

English



Customer View Model

[ENG\\_CVM\\_CVM\\_02560542-000\\_J.3d\\_igs.zip](#)

English

Customer View Model

[ENG\\_CVM\\_CVM\\_02560542-000\\_J.3d\\_stp.zip](#)

English

[3D PDF](#)

3D

Customer View Model

[ENG\\_CVM\\_CVM\\_05563597-000\\_1.2d\\_dxf.zip](#)

English

Customer View Model

[ENG\\_CVM\\_CVM\\_05563597-000\\_1.3d\\_igs.zip](#)

English

Customer View Model

[ENG\\_CVM\\_CVM\\_05563597-000\\_1.3d\\_stp.zip](#)

English

By downloading the CAD file I accept and agree to the [Terms and Conditions](#) of use.

---

[Datasheets & Catalog Pages](#)

[Economy Series AC LVDT](#)

English