



Sensors > Position Sensors > LVDT Sensors > MINIATURE LIGHTWEIGHT LVDT



Linearity Error (Full Range): $\pm 0.25\%$

Case Material: **Stainless Steel**

Product Shape: **Cylindrical**

Supply Voltage Range: **3 V**

Operating Temperature Range: **-55 – 150 °C [-67 – 302 °F]**

All MINIATURE LIGHTWEIGHT LVDT (0)

Features

Product Type Features

Product Shape	Cylindrical
---------------	-------------

Configuration Features

Electrical Connection	Leads
-----------------------	-------

Electrical Characteristics

Supply Voltage Range	3 V
----------------------	-----

Signal Characteristics

Excitation Frequency	2 – 20 kHz
----------------------	------------

Body Features

Case Material	Stainless Steel
---------------	-----------------

Core Configuration	Separate Core
--------------------	---------------

Dimensions

Product Diameter	9.52 mm [.375 in]
------------------	-------------------

Usage Conditions

Operating Temperature Range	-55 – 150 °C [-67 – 302 °F]
-----------------------------	-------------------------------

Industry Standards

--	--

IP Rating	IP61
-----------	------

Other

Linearity Error (Full Range)	±.25 %
------------------------------	--------

Product Compliance

[For compliance documentation, visit the product page on TE.com>](#)

EU RoHS Directive 2011/65/EU	Compliant
------------------------------	-----------

EU ELV Directive 2000/53/EC	Not Yet Reviewed
-----------------------------	------------------

China RoHS 2 Directive MIIT Order No 32, 2016	No Restricted Materials Above Threshold
---	---

EU REACH Regulation (EC) No. 1907/2006	Current ECHA Candidate List: JAN 2025 (247) Candidate List Declared Against: JUNE 2023 (235) Does not contain REACH SVHC
--	--

Halogen Content	Not Yet Reviewed for halogen content
-----------------	--------------------------------------

Solder Process Capability	Not reviewed for solder process capability
---------------------------	--

Product Compliance Disclaimer

This information is provided based on reasonable inquiry of our suppliers and represents our current actual knowledge based on the information they provided. This information is subject to change. The part numbers that TE has identified as EU RoHS compliant have a maximum concentration of 0.1% by weight in homogenous materials for lead, hexavalent chromium, mercury, PBB, PBDE, DBP, BBP, DEHP, DIBP, and 0.01% for cadmium, or qualify for an exemption to these limits as defined in the Annexes of Directive 2011/65/EU (RoHS2). Finished electrical and electronic equipment products will be CE marked as required by Directive 2011/65/EU. Components may not be CE marked. Additionally, the part numbers that TE has identified as EU ELV compliant have a maximum concentration of 0.1% by weight in homogenous materials for lead, hexavalent chromium, and mercury, and 0.01% for cadmium, or qualify for an exemption to these limits as defined in the Annexes of Directive 2000/53/EC (ELV). Regarding the REACH Regulations, TE's information on SVHC in articles for this part number is still based on the European Chemical Agency (ECHA) 'Guidance on requirements for substances in articles' (Version: 2, April 2011), applying the 0.1% weight on weight concentration threshold at the finished product level. TE is aware of the European Court of Justice ruling of September 10th, 2015 also known as O5A (Once An Article Always An Article) stating that, in case of 'complex object', the threshold for a SVHC must be applied to both the product as a whole and simultaneously to each of the articles forming part of its composition. TE has evaluated this ruling based on the new ECHA "Guidance on requirements for substances in articles" (June 2017, version 4.0) and will be updating its statements accordingly.

Compatible Parts



Also in the Series | MEAS MHR



LVDT Sensors(36)

Customers Also Bought



TE Part #1-5745172-3
AMPLI CBL CLMP KIT



TE Part #747784-8
JACKSCREW KIT,4-40, BULK



TE Part #2-1625999-1
HSC100 25R 5%



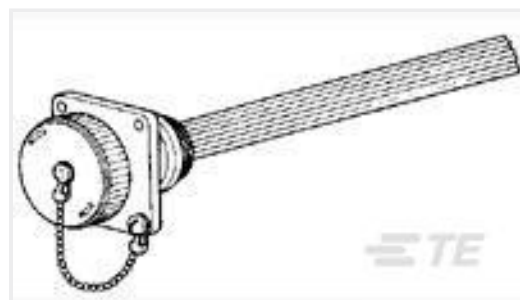
TE Part #205841-1
CPC RECPT ASSEMBLY SIZE 11-8



TE Part #350790-3
03P UMNL PIN HDR ASSY 94VO LF



TE Part #3-640428-2
02P MTA156 CONN ASSY 22AWG RED



TE Part #208652-1
SEALING CAP ASSY,SZ 17,CPC



TE Part #206433-3
CPC RECPT ASSEMBLY SIZE 11-8



TE Part #4-1415073-1
RT3S4LC4



TE Part #R-12167-21
TC,MICRO,BIFILAR,T,44AWG,71.0L,
POLYMER

Documents

[Datasheets & Catalog Pages](#)

[Miniature General Purpose AC LVDT](#)

English