



50 Ohm 0.5 Watts Brass 7/16 DIN Male
RF Load Up To 1,000 MHz

TECHNICAL DATA SHEET

PE6146

50 Ohm 0.5 Watts Brass 7/16 DIN Male RF Load Up To 1,000 MHz

Configuration

Connector	7/16 DIN Male
Heat Sink	Brass, Tri-Metal
Connection Method	Standard
Body Style	Straight

Electrical Specifications

Frequency Range, MHz	DC to 1,000
Impedance, Ohms	50
Maximum Input Power, Watts	0.5

Mechanical Specifications

Size

Length, in [mm]	1.685 [42.8]
Width/Dia., in [mm]	1.25 [31.75]

Connector

Type	7/16 DIN Male
Inner Conductor Material and Plating	Silver
Coupling Nut Material and Plating	Brass, Tri-Metal
Hex Size, in.	1 1/4
Torque, ft-lbs [Nm]	18.417 [24.97]
Body Material and Plating	Brass, Tri-Metal
Dielectric Type	PTFE

Compliance Certifications (visit www.Pasternack.com for current document)

RoHS Compliant	Yes
----------------	-----

Click the following link (or enter part number in "SEARCH" on website) to obtain additional part information including price, inventory and certifications: [50 Ohm 0.5 Watts Brass 7/16 DIN Male RF Load Up To 1,000 MHz PE6146](#)

The information contained in this document is accurate to the best of our knowledge and representative of the part described herein. It may be necessary to make modifications to the part and/or the documentation of the part, in order to implement improvements. Pasternack reserves the right to make such changes as required. Unless otherwise stated, all specifications are nominal.



50 Ohm 0.5 Watts Brass 7/16 DIN Male
RF Load Up To 1,000 MHz

TECHNICAL DATA SHEET

PE6146

Plotted and Other Data

Notes:

Values at 25 °C, sea level

50 Ohm 0.5 Watts Brass 7/16 DIN Male RF Load Up To 1,000 MHz from Pasternack Enterprises has same day shipment for domestic and International orders. Our RF, microwave and fiber optic products maintain a 99% availability and are part of the broadest selection in the industry.

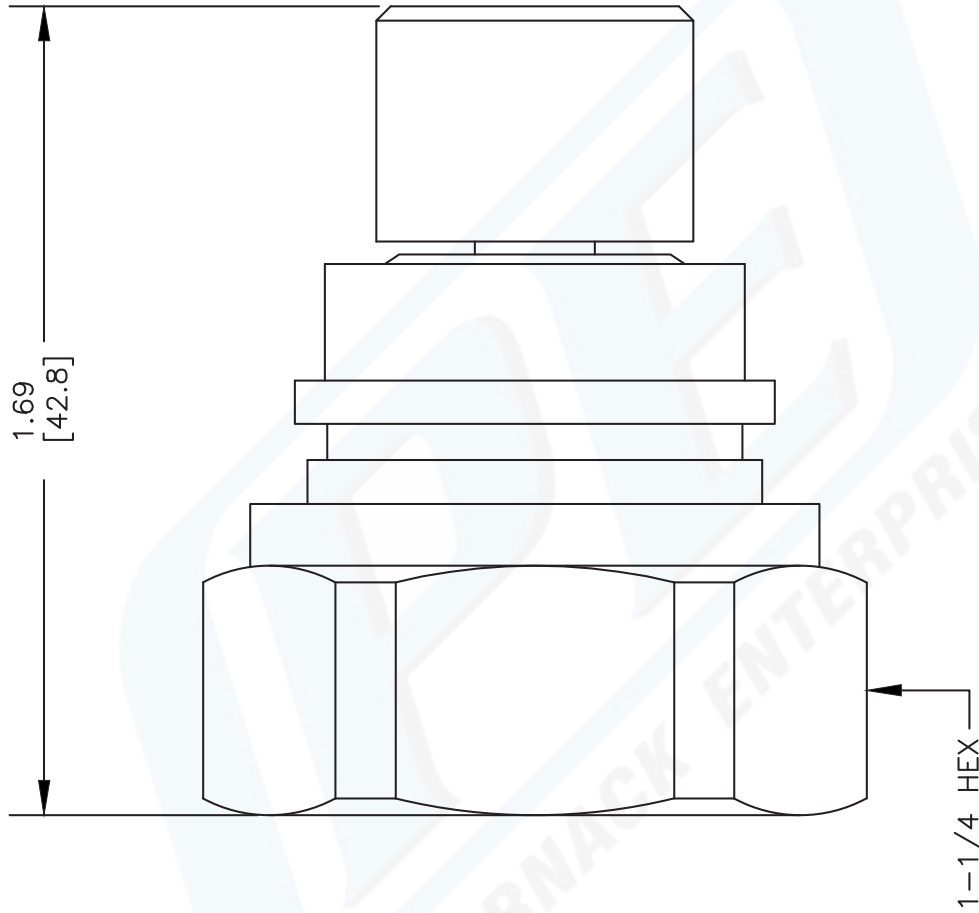
Click the following link (or enter part number in "SEARCH" on website) to obtain additional part information including price, inventory and certifications: [50 Ohm 0.5 Watts Brass 7/16 DIN Male RF Load Up To 1,000 MHz PE6146](#)

URL: <http://www.pasternack.com/0.5-watts-7-16-male-rf-load-up-to-1-ghz-pe6146-p.aspx>

The information contained in this document is accurate to the best of our knowledge and representative of the part described herein. It may be necessary to make modifications to the part and/or the documentation of the part, in order to implement improvements. Pasternack reserves the right to make such changes as required. Unless otherwise stated, all specifications are nominal.

PE6146 CAD Drawing

50 Ohm 0.5 Watts Brass 7/16 DIN Male RF Load Up To 1,000 MHz



DWG TITLE

PE6146

FSCM NO. 53919

NOTES:
1. UNLESS OTHERWISE SPECIFIED ALL DIMENSIONS ARE NOMINAL.
2. ALL SPECIFICATIONS ARE SUBJECT TO CHANGE WITHOUT NOTICE AT ANY TIME.
3. DIMENSIONS ARE IN INCHES [mm].

CAD FILE 061603

SCALE N/A

SIZE A

127



Pasternack Enterprises, Inc.
P.O. Box 16759 | Irvine | CA | 92623
Phone: (949) 261-1920 | Fax: (949) 261-7451
Website: www.pasternack.com | E-Mail: sales@pasternack.com