



1.85mm Female Field Replaceable Connector 2 Hole Flange Mount with EMI gasket, accepts 0.51mm (.020inch) pin

RF Connectors Technical Data Sheet

PE45748

Configuration

- 1.85mm Female Connector
- 50 Ohms
- Straight Body Geometry
- Connector Interface Types: with EMI gasket, accepts 0.51mm (.020inch) pin
- 2 Hole Flange

Features

- Max. Operating Frequency 67 GHz
- Excellent VSWR of 1.25:1
- Gold Plated Beryllium Copper Contact

Applications

- General Purpose Test
- Rack and Panel Mount Applications

Description

Pasternack's PE45748 1.85mm female 2 hole flange mount field replaceable connector with EMI gasket is part of our full line of RF components available for same-day shipping. Our 1.85mm female connector operates up to a maximum frequency of 67 GHz and offers excellent VSWR of 1.25:1. This 1.85mm 2 hole flange connector allows designers to create external connections on their product enclosures, and can be used in a variety of other rack mount and panel mount applications. This field replaceable connector is easy to install or replace in the field.

Our 1.85mm female 2 hole flange connector PE45748 datasheet specifications and drawing with dimensions are shown below in this PDF. Pasternack's broad catalog of RF, microwave and millimeter wave connectors allows designers to configure and customize their signal connections however they like. Whether the need is to provide an I/O for a board design, or simply create a custom cable assembly configuration, Pasternack has the right connector for the job. Pasternack can also expertly build your custom cable assemblies for you and ship same-day.

Electrical Specifications

Description	Minimum	Typical	Maximum	Units
Frequency Range	DC		67	GHz
VSWR			1.25:1	

Mechanical Specifications

Size	
Length	0.442 in [11.23 mm]
Width/Dia.	0.222 in [5.64 mm]
Height	0.625 in [15.88 mm]
Weight	0.1 lbs [45.36 g]

Click the following link (or enter part number in "SEARCH" on website) to obtain additional part information including price, inventory and certifications: [1.85mm Female Field Replaceable Connector 2 Hole Flange Mount with EMI gasket, accepts 0.51mm \(.020inch\) pin PE45748](#)



1.85mm Female Field Replaceable Connector 2 Hole Flange Mount with EMI gasket, accepts 0.51mm (.020inch) pin

RF Connectors Technical Data Sheet

PE45748

Material Specifications

Description	Material	Plating
Contact	Beryllium Copper	Gold
Contact Spring	Passivated Stainless Steel	
Insulation	PEI	
Body	Passivated Stainless Steel	
Gasket	Silicone	

Environmental Specifications

Temperature

Operating Range -40 to +150 deg C

Compliance Certifications (see [product page](#) for current document)

Plotted and Other Data

Notes:

1.85mm Female Field Replaceable Connector 2 Hole Flange Mount with EMI gasket, accepts 0.51mm (.020inch) pin from Pasternack Enterprises has same day shipment for domestic and International orders. Our RF, microwave and millimeter wave products maintain a 99.4% availability and are part of the broadest selection in the industry.

Click the following link (or enter part number in "SEARCH" on website) to obtain additional part information including price, inventory and certifications: [1.85mm Female Field Replaceable Connector 2 Hole Flange Mount with EMI gasket, accepts 0.51mm \(.020inch\) pin PE45748](#)

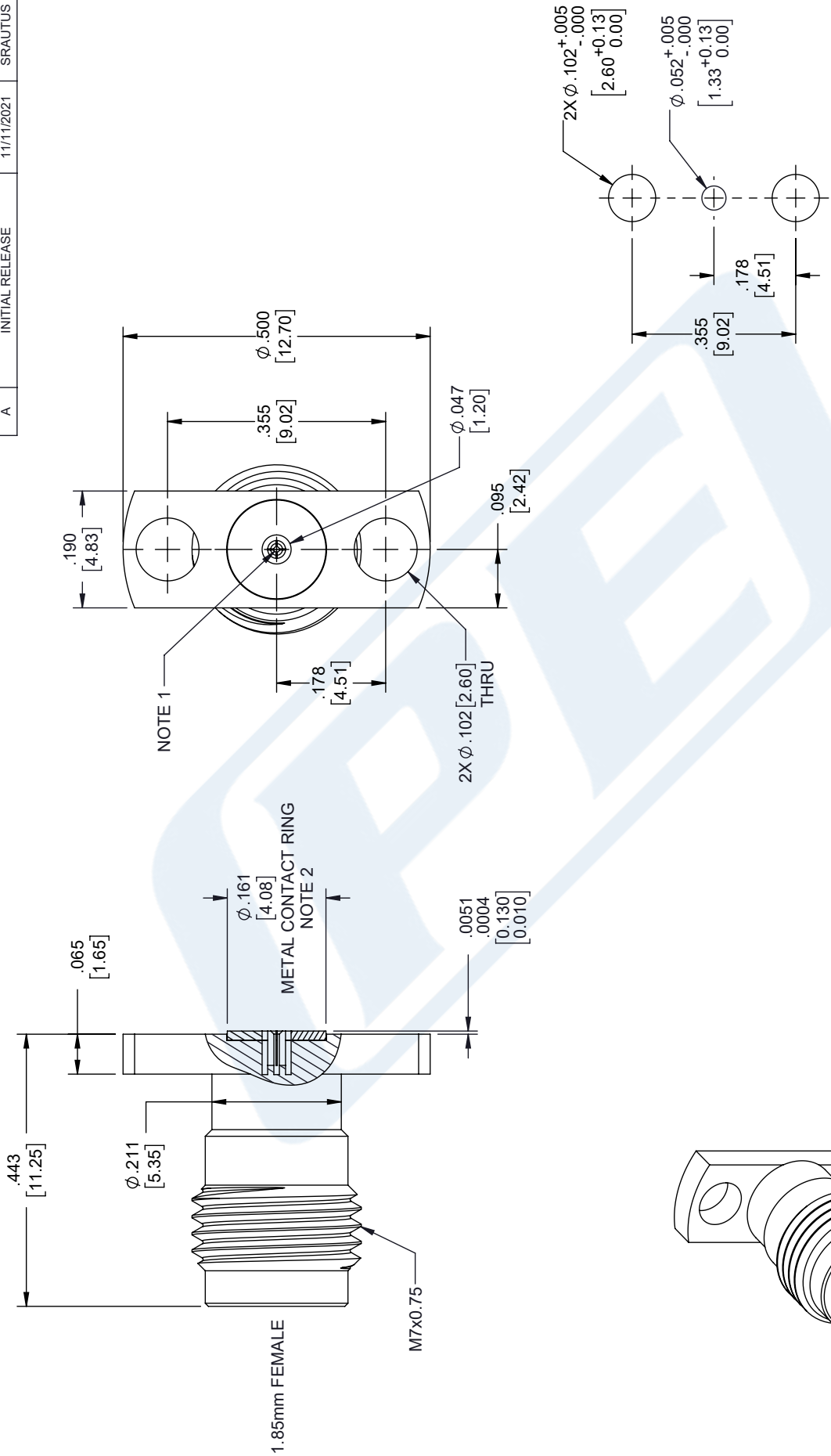
URL: <https://www.pasternack.com/185mm-female-with-emi-gasket-accepts-051mm-020inch-pin-connector-pe45748-p.aspx>

The information contained in this document is accurate to the best of our knowledge and representative of the part described herein. It may be necessary to make modifications to the part and/or the documentation of the part, in order to implement improvements. Pasternack reserves the right to make such changes as required. Unless otherwise stated, all specifications are nominal. Pasternack does not make any representation or warranty regarding the suitability of the part described herein for any particular purpose, and Pasternack does not assume any liability arising out of the use of any part or documentation.

PE45748 CAD Drawing

1.85mm Female Field Replaceable Connector 2 Hole Flange
Mount with EMI gasket, accepts 0.51mm (.020inch) pin

REVISIONS			
REV.	DESCRIPTION	DATE	APPROVED
A	INITIAL RELEASE	11/11/2021	SRAUTUS



THIRD-ANGLE PROJECTION

THE INFORMATION AND DESIGN IN THIS DOCUMENT IS THE PROPERTY OF PASTERNAK CORPORATION ALL RIGHTS RESERVED.

SHEET 1 OF 1

SCALE N/A

REV A

PE PASTERNAK
an INFINITI brand

Pasternack Enterprises, Inc.
P. O. Box 16759, Irvine, CA 92623.
Phone: 1.949.261.1920 | 1.866.727.8376
Fax: 1.949.261.7451
Website: www.pasternack.com
E-mail: sales@pasternack.com

UNLESS OTHERWISE SPECIFIED LEADING DIMENSIONS ARE INCHES DIMENSIONS IN [] ARE MILLIMETERS

TOLERANCES:

FRACTIONS: .X = ±.2 [5.08] ±.1/32
XX = ±.02 [51] ±.005
.XXX = ±.005 [13] ANGLES ± 1°

CABLE LENGTH (L), TOLERANCES:
L ≤ 12 [305] = +1 [25] / -0
12 [305] < L ≤ 60 [1524] = +2 [51] / -0
60 [1524] < L ≤ 120 [3048] = +4 [102] / -0
120 [3048] < L ≤ 300 [7620] = +6 [152] / -0
300 [7620] < L = +5% / -0

ALL DIMENSIONS SHOWN ARE FOR REFERENCE ONLY.

SIZE A CAGE CODE 53919 DRAWN BY MVEERAPPAN ITEM NO. PE45748

- NOTES:
1. FEMALE CONTACT ACCEPTS PIN SIZE $\phi .009$ [0.23] $\nabla .065$ [1.65] MAX.
 2. SEPARATE METAL CONTACT RING (PASSIVATED).

THESE COMMODITIES, TECHNOLOGY OR SOFTWARE WERE EXPORTED FROM THE UNITED STATES IN ACCORDANCE WITH THE EXPORT ADMINISTRATION REGULATIONS. DIVERSION CONTRARY TO U.S. LAW PROHIBITED.